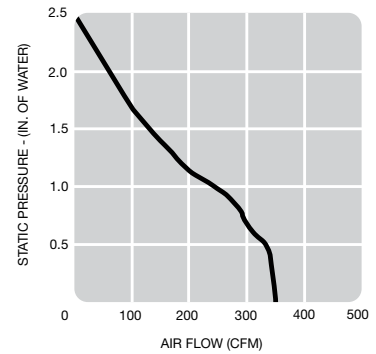
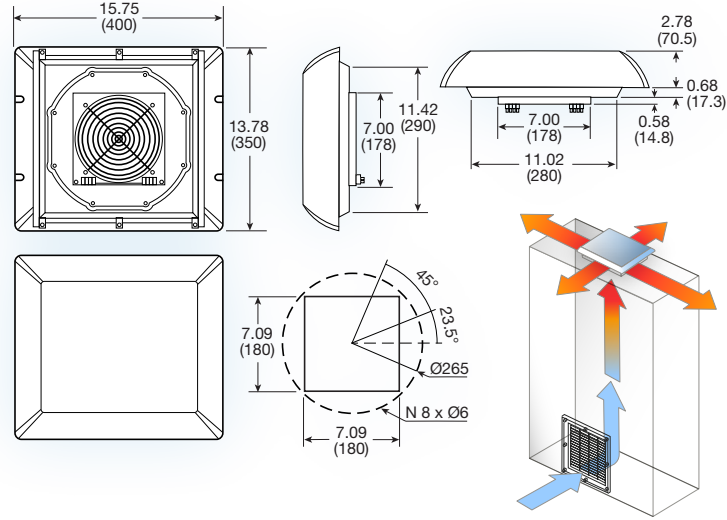


# MRF-190



**(400 x 350 x 116 mm)**  
15.75 x 13.78 x 4.57 inches

- Construction: Frame: magnesium - RAL7035  
Fan: magnesium impeller & frame

---

- Bearing option: ball bearing

---

- Connection: terminal block

---

- Protection: thermal

---

- Options: tachometer output signal,  
thermistor speed control

Model No.	Rated Voltage V	Input Power W	Speed RPM	Air Volume		Max. Static Pressure (H <sub>2</sub> O)		Sound Noise dbA	Weight kg
				M <sup>3</sup> /Min.	CFM	MM	INCH		
MRF-190	115	95	3,200	9.85	348	63.5	2.50	76	4
	230	95	3,200	9.85	348	63.5	2.50	76	4

