



C Female Connector Clamp/Solder Attachment 4 Hole Flange
Mount for RG213, RG214, RG393, RG11 Thru Holes

TECHNICAL DATA SHEET

PE4CO1013

Configuration

Connector	C Female
Connector Specification	MIL-STD-348A
Connector Interface Type	RG213, RG214, RG393, RG11
Attachment Method (Shield/Contact)	Clamp/Solder
Body Style	Straight
Mount Method	4 Hole Flange

Electrical Specifications

Impedance	50 Ohms
Maximum Operating Voltage	1,000 Volts
Dielectric Withstanding Voltage	3,000 Vrms

Mechanical Specifications

Temperature

Operating Range	-65 to +165 deg C
-----------------	-------------------

Size

Length	1.38 in [35.05 mm]
Width/Dia.	1 in [25.40 mm]
Height	1 in [25.4 mm]

Connector

Type	C Female
Contact Material and Plating	Beryllium Copper, Silver
Contact Plating Specification	QQ-S-365
Body Material and Plating	Brass, Nickel
Body Plating Specification	QQ-N-290
Dielectric Type	Teflon

Compliance Certifications (visit www.Pasternack.com for current document)

Not RoHS Compliant

Click the following link (or enter part number in "SEARCH" on website) to obtain additional part information including price, inventory and certifications: [C Female Connector Clamp/Solder Attachment 4 Hole Flange Mount for RG213, RG214, RG393, RG11 Thru Holes PE4CO1013](#)



C Female Connector Clamp/Solder Attachment 4 Hole Flange Mount for RG213, RG214, RG393, RG11 Thru Holes

TECHNICAL DATA SHEET

PE4CO1013

Plotted and Other Data

Notes:

- Values at +25 °C, sea level

C Female Connector Clamp/Solder Attachment 4 Hole Flange Mount for RG213, RG214, RG393, RG11 Thru Holes from Pasternack Enterprises has same day shipment for domestic and International orders. Our RF, microwave and millimeter wave products maintain a 99% availability and are part of the broadest selection in the industry.

Click the following link (or enter part number in "SEARCH" on website) to obtain additional part information including price, inventory and certifications: [C Female Connector Clamp/Solder Attachment 4 Hole Flange Mount for RG213, RG214, RG393, RG11 Thru Holes PE4CO1013](http://www.pasternack.com/c-female-rg213-rg214-rg393-rg11-connector-pe4co1013-p.aspx)

URL: <http://www.pasternack.com/c-female-rg213-rg214-rg393-rg11-connector-pe4co1013-p.aspx>

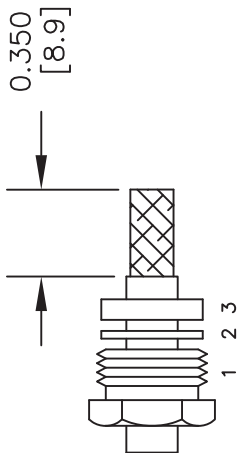
The information contained in this document is accurate to the best of our knowledge and representative of the part described herein. It may be necessary to make modifications to the part and/or the documentation of the part, in order to implement improvements. Pasternack reserves the right to make such changes as required. Unless otherwise stated, all specifications are nominal. Pasternack does not make any representation or warranty regarding the suitability of the part described herein for any particular purpose, and Pasternack does not assume any liability arising out of the use of any part or documentation.

PE4C01013 CAD Drawing

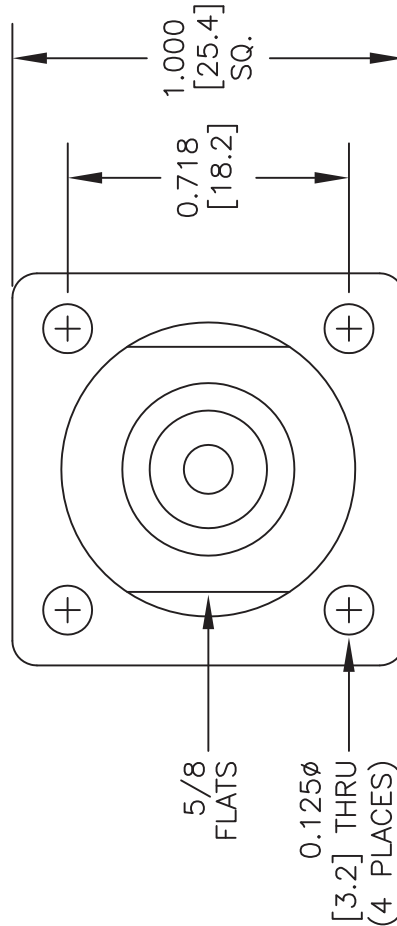
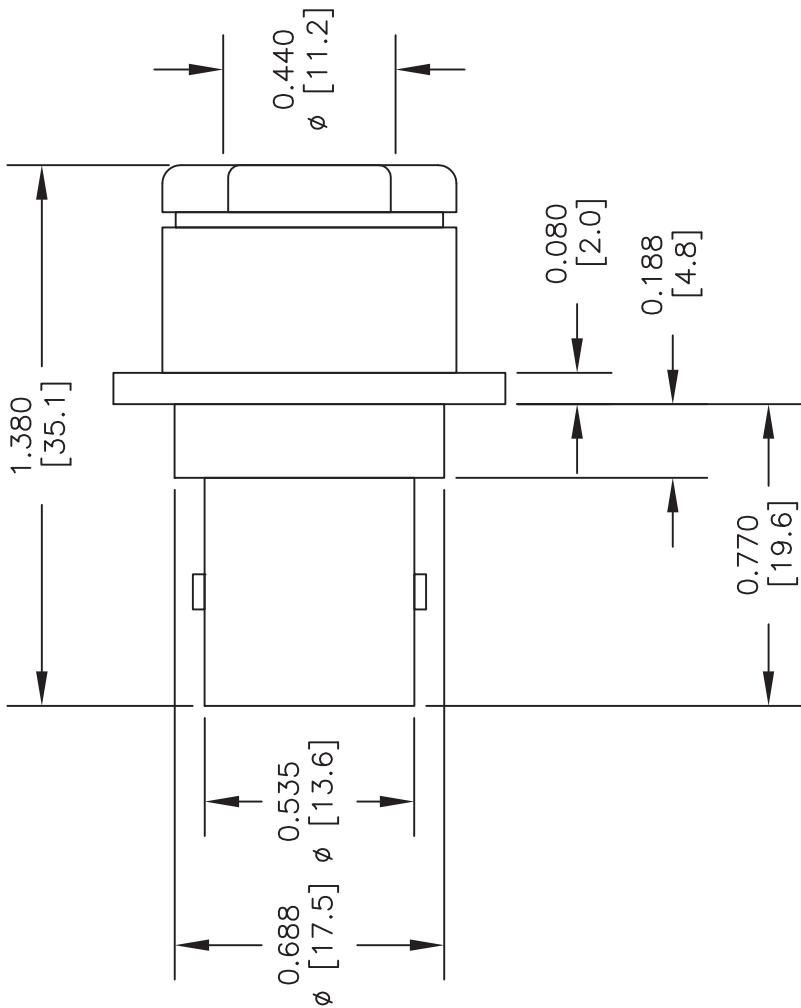
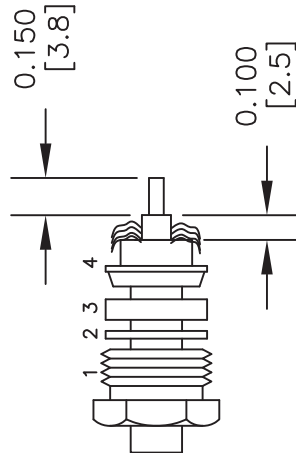
C Female Connector Clamp/Solder Attachment 4 Hole Flange
Mount for RG213, RG214, RG393, RG11 Thru Holes

ASSEMBLY PROCEDURES

1. SLIDE CLAMP NUT (1), WASHER (2) & GASKET (3) OVER CABLE. STRIP CABLE AS SHOWN. DO NOT NICK BRAID WHILE CUTTING JACKET. TAPER END OF BRAID TO PERMIT ASSEMBLY OF BRAID CLAMP (4). SLIDE BRAID CLAMP (4) OVER BRAID & SEAT AGAINST CABLE.



2. FORM BRAID OVER CLAMP NUT (4). TRIM BRAID BACK TO SHOULDER. CUT DIELECTRIC & CENTER CONDUCTOR TO DIMENSION SHOWN. DO NOT NICK CENTER CONDUCTOR. SOLDER CONTACT TO CENTER CONDUCTOR. REMOVE EXCESS SOLDER. DO NOT OVER HEAT DIELECTRIC. INSERT CABLE ASSEMBLY INTO BODY & TIGHTEN.



DWG TITLE

PE4C01013

NOTES:
1. UNLESS OTHERWISE SPECIFIED ALL DIMENSIONS ARE NOMINAL.
2. ALL SPECIFICATIONS ARE SUBJECT TO CHANGE WITHOUT NOTICE AT ANY TIME.
3. DIMENSIONS ARE IN INCHES [mm].
4. FITS MIL-C-17 AND EQUIVALENT CABLES.

FSCM NO. 53919

CAD FILE 110514

SCALE N/A

SIZE A

2233

PE PASTERNAK
THE ENGINEER'S RF SOURCE

Pasternack Enterprises, Inc.

P.O. Box 16759 | Irvine | CA | 92623

Phone: (949) 261-1920 | Fax: (949) 261-7451

Website: www.pasternack.com | E-Mail: sales@pasternack.com