

QL5232 - QuickPCI™



33 MHz/32-bit PCI Master/Target with Embedded Programmable Logic and dual Port SRAM

last updated 12/3/99

DEVICE HIGHLIGHTS

High Performance PCI Controller

- 32-bit / 33 MHz PCI Master/Target
- Zero-wait state PCI Master provides 132 MB/s transfer rates
- Programmable back-end interface to optional local processor
- Independent PCI bus (33 MHz) and local bus (up to 160 MHz) clocks
- Fully customizable PCI Configuration Space
- Configurable FIFOs with depths up to 256
- Reference design with driver code (Win 95/98/Win 2000/NT4.0) available
- PCI v2.2 compliant
- Supports Type 0 Configuration Cycles in Target mode
- 3.3V, 5V Tolerant PCI signaling supports Universal PCI Adapter designs
- 3.3V CMOS in 208-pin PQFP and 456-pin PBGA
- Supports endian conversions
- Unlimited/Continuous Burst Transfers Supported

Extendable PCI Functionality

- Support for Configuration Space from 0x40 to 0x3FF
- Multi-Function, Expanded Capabilities, & Expansion ROM capable
- Power management, Compact PCI, hot-swap/hot-plug compatible
- PCI v2.2 Power Management Spec compatible
- PCI v2.2 Vital Product Data (VPD) configuration support
- Programmable Interrupt Generator
- I₂O support with local processor
- Mailbox register support

Programmable Logic

- 122K system gates / 1302 Logic Cells
- 25,344 RAM bits, up to 266 I/O pins
- 250 MHz 16-bit counters, 275 MHz Datapaths, 160 MHz FIFOs
- All back-end interface and glue-logic can be implemented on chip
- 11 64-deep FIFOs or 5 128-deep FIFOs or a 2 256-deep FIFO or a combination that requires 22 or less QuickLogic RAM Modules
- (3) 32-bit busses interface between the PCI Controller and the Programmable Logic

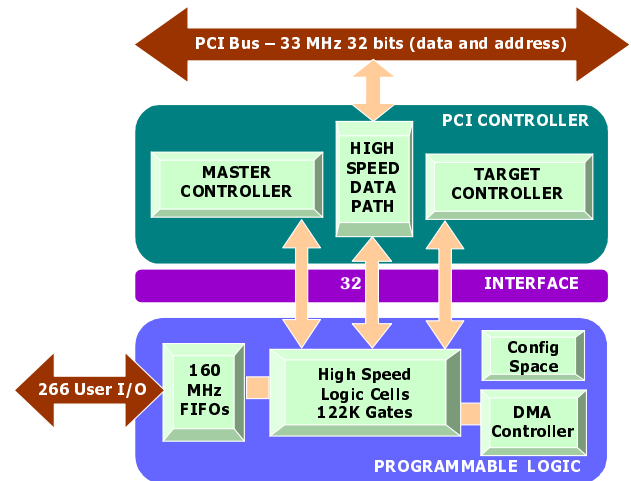


FIGURE 1. QL5232 Diagram

ARCHITECTURE OVERVIEW

The QL5232 device in the QuickLogic QuickPCI ESP (Embedded Standard Product) family provides a complete and customizable PCI interface solution combined with 122,000 system gates of programmable logic. This device eliminates any need for the designer to worry about PCI bus compliance, yet allows for the maximum 32-bit PCI bus bandwidth (132 MB/s).

The programmable logic portion of the device contains 1302 QuickLogic Logic Cells, and 22 QuickLogic Dual-Port RAM Blocks. These configurable RAM blocks can be configured in many width/depth combinations. They can also be combined with logic cells to form FIFOs, or be initialized via Serial EEPROM on power-up and used as ROMs.

The QL5232 device meets PCI 2.2 electrical and timing specifications and has been fully hardware-tested. This device also supports the Win'98 and PC'98 standards. The QL5232 device features 3.3-volt operation with multi-volt compatible I/Os. Thus it can easily operate in 3-volt systems and is fully compatible with 3.3V, 5V or Universal PCI card development.



PCI CONTROLLER

The PCI Controller is a 32-bit/33 MHz PCI 2.2 Compliant Master/Target Controller. It is capable of infinite length Master Write and Read transactions at zero wait state (132 MBytes/second). The Master will never insert wait states during transfers, so data should be supplied or received by FIFOs, which can be configured in the programmable region of the device. The Master Controller will most often be operated by a DMA Controller in the programmable region of the device. A DMA Controller reference design is available. The Target interface offers full PCI Configuration Space and flexible target addressing. Any number of 32-bit BARs may be configured, as either memory or I/O space. All required and options PCI 2.2 Configuration Space registers can be implemented within the programmable region of the device. A reference design of a Target Configuration and Addressing module is provided.

The interface ports are divided into a set of ports for master transactions and a set for target transactions. The Master DMA controller and Target Configuration Space and Address Decoding are done in the programmable logic region of the device. Since these functions are not timing critical, leaving these elements in the programmable region allows the greatest degree of flexibility to the designer. Reference DMA controller, Configuration Space, and Address Decoding blocks are included so that the design cycle can be minimized.

CONFIGURATION SPACE AND ADDRESS DECODE

The configuration space is completely customizable in the programmable region of the device. PCI address and command decoding is performed by logic in the programmable section of the device. This allows support for any size of memory or I/O space for back-end logic. It also allows the user to implement any subset of the PCI commands supported by the QL5232. QuickLogic provides a reference Address Register/Counter and Command Decode block.

DMA MASTER/TARGET CONTROL

The customizable DMA controller included with the QuickWorks design software contains the following features:

- Configurable DMA count size for reads and writes (up to 30-bits)
- Configurable DMA burst size for PCI (including unlimited/continuous burst)
- Programmable Arbitration between DMA Read & Write transactions
- DMA Registers may be mapped to any area of Target Memory Space
 - Read Address (32-bit register)
 - Write Address (32-bit register)
 - Read Length (16-bit register) / Write Length (16-bit register)
 - Control and Status (32-bit register, includes 8 bit Burst Length)
- DMA Registers are available to the local design or the PCI bus
- Programmable Interrupt Control to signal end of transfer or other event

CONFIGURABLE FIFOs

FIFOs may be created with the Ram/FIFO wizard in the QuickWorks tools. The figure below shows the graphical interface used to create these FIFOs. FIFOs may be designed up to 256 deep. With 22 RAM cells available in the QL5232, that allows for up to 11 FIFOs at 64 deep (36 wide), 5 FIFOs at 128 deep (36 wide), or 2 FIFOs at 256 deep (36 wide).



FIGURE 2. Graphical Interface to create FIFO

PCI Interface Symbol

The figure below shows the interface symbol you would use in your schematic design in order to attach the local interface programmable logic design to the PCI core. If you were designing with a top-level Verilog or VHDL file, then you would use a structural instantiation of this PCI32 block, instead of a graphical symbol.

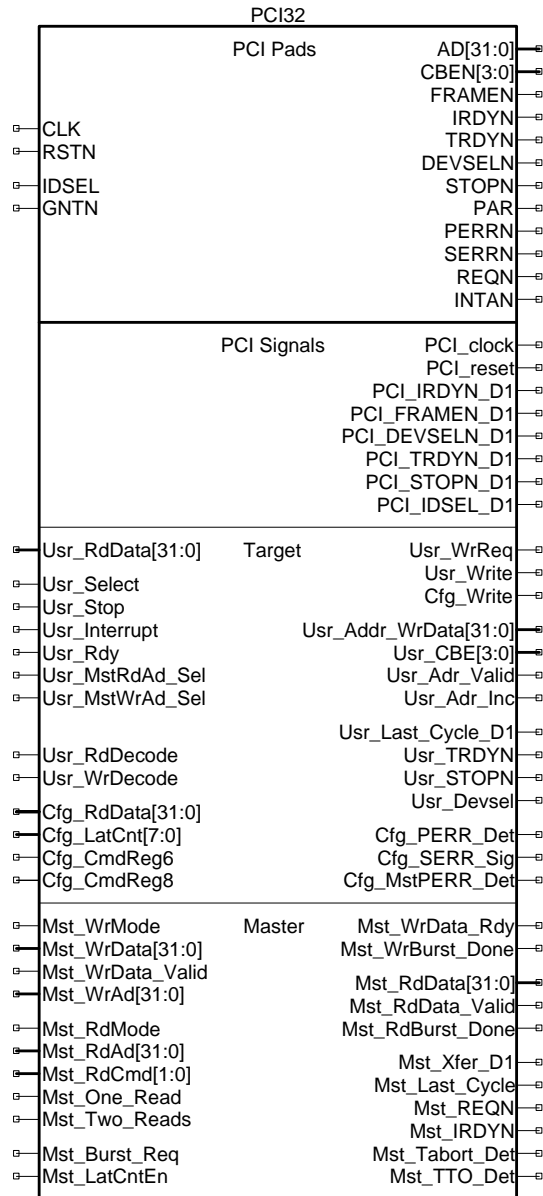


FIGURE 3. PCI Interface Symbol

PCI Master Interface

The internal signals used to interface with the PCI controller in the QL5232 are listed below, along with a description of each signal. The direction of the signal indicates if it is an input provided by the local interface (i) or an output provided by the PCI controller (o). Signals that end with the character 'N' should be considered active-low (for example, Mst_IRDYN).

| | | |
|------------------|---|--|
| Mst_WrAd[31:0] | I | Address for master DMA writes. This address must be treated as valid from the beginning of a DMA burst write until the DMA write operation is complete. It must be incremented (by 4) each time data is transferred on the PCI bus, since only DWORD (4 byte) transfers are supported. |
| Mst_RdAd[31:0] | I | Address for master DMA reads. This address must be treated as valid from the beginning of a DMA burst read until the DMA read operation is complete. It must be incremented (by 4) each time data is transferred on the PCI bus, since only DWORD (4 byte) transfers are supported. |
| Mst_WrMode | I | DMA state machine in "write" mode. This must be asserted at the beginning of a Master Transfer, and must be held until the Master Transfer completed (Mst_WrBurst_Done). |
| Mst_RdMode | I | DMA state machine in "read" mode. This must be asserted at the beginning of a Master Transfer, and must be held until the Master Transfer completed (Mst_RdBurst_Done). |
| Mst_Burst_Req | I | Request use of the PCI bus. This signal should be held from when the DMA controller is ready to provide the first data, until the transfer is complete (Mst_WrBurst_Done or Mst_RdBurst_Done). |
| Mst_One_Read | I | This signals to the PCI core that one data transfer remains in the burst. This signal must be asserted when only one DWORD remains to be transferred on the PCI bus. |
| Mst_Two_Reads | I | Two or less data transfers remain in the burst. This signal must be asserted when two or less DWORDs remain to be transferred on the PCI bus. |
| Mst_WrData[31:0] | I | Data for master DMA writes (to PCI bus). |
| Mst_WrData_Valid | I | Data valid on Mst_WrData[31:0]. |
| Mst_WrData_Rdy | O | Data receive acknowledge for Mst_WrData[31:0]. This serves as a POP control for a FIFO which provides data to the PCI core. |
| Mst_WrBurst_Done | O | Master write pipeline is empty, which indicates that the Write burst transaction is completed. |
| Mst_RdData[31:0] | O | Data for master DMA reads (from PCI bus). |
| Mst_RdData_Valid | O | Data valid on Mst_RdData[31:0]. This serves as a PUSH control for a FIFO that receives data from the PCI core. |
| Mst_RdBurst_Done | O | Master read pipeline is empty, which indicates that Read burst transaction is completed. |
| Mst_RdCmd[1:0] | I | Type of PCI read command to be used for DMA reads: 00 or 01 = Memory Read 10 = Memory Read Line 11 = Memory Read Multiple |
| Mst_LatCntEn | I | Enable Latency Counter. Set to 0 to ignore the Latency Timer in the PCI configuration space (offset 0Ch). For full PCI compliance, this port should be always set to 1. |
| Mst_Xfer_D1 | O | Data was transferred on the previous PCI clock. Useful for updating DMA transfer counts on DMA Read operations. |
| Mst_Last_Cycle | O | Active during the last data transfer of a PCI master transaction. |
| Mst_REQN | O | The PCI REQN signal generated by this device as PCI master. Not usually used in the back-end design. |
| Mst_IRDYN | O | The PCI IRDYN signal generated by this device as PCI master. Not usually used in the back-end design. |
| Mst_Tabort_Det | O | Target abort detected during master transaction. This is normally an error condition to be handled in the DMA controller. |
| Mst_TTO_Det | O | Target timeout detected (no response from target). This is normally an error condition to be handled in the DMA controller. |

PCI Target Interface

| | | |
|-----------------------|---|--|
| Usr_Addr_WrData[31:0] | O | Target address and data from target writes. During all target accesses, the address will be presented on Usr_Addr_WrData[31:0] and simultaneously, Usr_Adr_Valid will be active. During target write transactions, this port will present write data to the PCI configuration space or user logic. |
| Usr_CBE[3:0] | O | PCI command and byte enables. During target accesses, the PCI command will be presented on Usr_CBE[3:0] and simultaneously, Usr_Adr_Valid will be active. During target read or write transactions, this port will present active-low byte-enables to the PCI configuration space or user logic. |
| Usr_Adr_Valid | O | Indicates the beginning of a PCI transaction, and that a target address is valid on Usr_Addr_WrData[31:0] and the PCI command is valid on Usr_CBE[3:0]. When this signal is active, the target address must be latched and decoded to determine if this address belongs to the device's memory space. Also, the PCI command must be decoded to determine the type of PCI transaction. On subsequent clocks of a target access, this signal will be low, indicating that data (not an address) is present on Usr_Addr_WrData[31:0]. |
| Usr_Adr_Inc | O | Indicates that the target address should be incremented, because the previous data transfer has completed. During burst target accesses, the target address is only presented to the back-end logic at the beginning of the transaction (when Usr_Adr_Valid is active), and must therefore be latched and incremented (by 4) for subsequent data transfers. |
| Usr_WrReq | O | This signal will be active for the duration of a target write transaction, and may be used by back-end logic to turn on output-enables for transmitting the data off-chip. |
| Usr_RdDecode | I | Active when a "user read" command has been decoded from the Usr_CBE[3:0] bus. This command may be mapped from any of the PCI "read" commands, such as Memory Read, Memory Read Line, Memory Read Multiple, I/O Read, etc. |
| Usr_WrDecode | I | Active when a "user write" command has been decoded from the Usr_CBE[3:0] bus. This command may be mapped from any of the PCI "write" commands, such as Memory Write or I/O Write. |
| Usr_Select | I | The address on Usr_Addr_WrData[31:0] has been decoded and determined to be within the address space of the device. Usr_Addr_WrData[31:0] must be compared to each of the valid Base Address Registers in the PCI configuration space. Also, this signal must be gated by the Memory Access Enable or I/O Access Enable registers in the PCI configuration space (Command Register bits 1 or 0 at offset 04h). |
| Usr_Write | O | Write enable for data on Usr_Addr_WrData[31:0] during PCI writes. |
| Cfg_Write | O | Write enable for data on Usr_Addr_WrData[31:0] during PCI configuration write transactions. |
| Cfg_RdData[31:0] | I | Data from the PCI configuration registers, required to be presented during PCI configuration reads. |
| Usr_RdData[31:0] | I | Data from the back-end user logic (and/or DMA configuration registers), required to be presented during PCI reads. |

PCI Target Interface (Continued)

| | | |
|----------------------------|---|--|
| Cfg_RdData[31:0] | I | Data from the PCI configuration registers, required to be presented during PCI configuration reads. |
| Usr_RdData[31:0] | I | Data from the back-end user logic (and/or DMA configuration registers), required to be presented during PCI reads. |
| Cfg_CmdReg8 Cfg_CmdReg6 | I | Bits 6 and 8 from the Command Register in the PCI configuration space (offset 04h). |
| Cfg_LatCnt[7:0] | I | 8-bit value of the Latency Timer in the PCI configuration space (offset 0Ch). |
| Usr_MstRdAd_Sel | I | Used when a target read operation should return the value set on the Mst_RdAd[31:0] pins. This select pin saves on logic which would otherwise need to be used to multiplex Mst_RdAd[31:0] into the Usr_RdData[31:0] bus. When this signal is asserted, the data on Usr_RdData[31:0] is ignored. |
| Usr_MstWrAd_Sel | I | Used when a target read operation should return the value set on the Mst_WrAd[31:0] pins. This select pin saves on logic which would otherwise need to be used to multiplex Mst_WrAd[31:0] into the Usr_RdData[31:0] bus. When this signal is asserted, the data on Usr_RdData[31:0] is ignored. |
| Cfg_PERR_Det | O | Parity error detected on the PCI bus. When this signal is active, bit 15 of the Status Register must be set in the PCI configuration space (offset 04h). |
| Cfg_SERR_Sig | O | System error asserted on the PCI bus. When this signal is active, the Signalled System Error bit, bit 14 of the Status Register, must be set in the PCI configuration space (offset 04h). |
| Cfg_MstPERR_Det | O | Data parity error detected on the PCI bus by the master. When this signal is active, bit 8 of the Status Register must be set in the PCI configuration space (offset 04h). |
| Usr_TRDYN | O | Copy of the TRDYN signal as driven by the PCI target interface. |
| Usr_STOPN | O | Copy of the STOPN signal as driven by the PCI target interface. |
| Usr_Devsel | O | Inverted copy of the DEVSELN signal as driven by the PCI target interface. |
| Usr_Last_Cycle_D1 | O | Last transfer in a PCI transaction is occurring. |
| Usr_Rdy | I | Used to delay (add wait states to) a PCI transaction when the back end needs additional time. Subject to PCI latency restrictions. |
| Usr_Stop | I | Used to prematurely stop a PCI target access on the next PCI clock. |
| Usr_Interrupt | I | Used to signal an interrupt on the PCI bus. |

PCI Internal Signals

| | | |
|----------------|---|--|
| PCI_clock | O | PCI clock. |
| PCI_reset | O | PCI reset signal. |
| PCI_IRDYN_D1 | O | Copy of the IRDYN signal from the PCI bus, delayed by one clock. |
| PCI_FRAMEN_D1 | O | Copy of the FRAMEN signal from the PCI bus, delayed by one clock. |
| PCI_DEVSELN_D1 | O | Copy of the DEVSELN signal from the PCI bus, delayed by one clock. |
| PCI_TRDYN_D1 | O | Copy of the TRDYN signal from the PCI bus, delayed by one clock. |
| PCI_STOPN_D1 | O | Copy of the STOPN signal from the PCI bus, delayed by one clock. |
| PCI_IDSEL_D1 | O | Copy of the IDSEL signal from the PCI bus, delayed by one clock. |

RAM Module Features

The QL5232 device has twenty-two 1,152-bit RAM modules, for a total of 25,344 RAM bits. Using two “mode” pins, designers can configure each module into 64 (deep) x18 (wide), 128x9, 256x4, or 512x2 blocks. See the figure below. The blocks are also easily cascadable to increase their effective width or depth.

The RAM modules are “dual-ported”, with completely independent READ and WRITE ports and separate READ and WRITE clocks. The READ ports support asynchronous and synchronous operation, while the WRITE ports support synchronous operation. Each port has 18 data lines and 9 address lines, allowing word lengths of up to 18 bits and address spaces of up to 512 words. Depending on the mode selected, however, some higher order data or address lines may not be used.

The Write Enable (WE) line acts as a clock enable for synchronous write operation. The Read Enable (RE) acts as a clock enable for synchronous READ operation (ASYNCRD input low), or as a flow-through enable for asynchronous READ operation (ASYNCRD input high).

Designers can cascade multiple RAM modules to increase the depth or width allowed in single modules by connecting corresponding address lines together and dividing the words between modules. This approach allows up to 512-deep configurations as large as 28 bits wide in the QL5232 device.

A similar technique can be used to create depths greater than 512 words. In this case address signals higher than the eighth bit are encoded onto the write enable (WE) input for WRITE operations. The READ data outputs are multiplexed together using encoded higher READ address bits for the multiplexer SELECT signals.

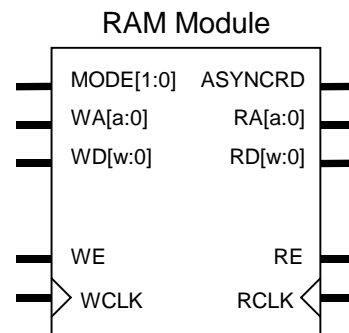


FIGURE 4. RAM Module

| | Address Buses [a:0] | Data Buses [w:0] |
|--------------|---------------------|------------------|
| 64x18 | [5:0] | [17:0] |
| 128x9 | [6:0] | [8:0] |
| 256x4 | [7:0] | [3:0] |
| 512x2 | [8:0] | [1:0] |

JTAG Support

JTAG pins support IEEE standard 1149.1a to provide boundary scan capability for the QL5232 device. Six pins are dedicated to JTAG and programming functions on each QL5232 device, and are unavailable for general design input and output signals. TDI, TDO, TCK, TMS, and TRSTB are JTAG pins. A sixth pin, STM, is used only for programming.

Development Tool Support

Software support for the QL5232 device is available through the QuickWorks® development package. This turnkey PC-based QuickWorks® package, shown in Figure 5, provides a complete ESP software solution with design entry, logic synthesis, place and route, and simulation. QuickWorks® includes VHDL, Verilog, schematic, and mixed-mode entry with fast and efficient logic synthesis provided by the integrated Synplicity Synplify Lite™ tool, specially tuned to take advantage of the QL5232 architecture. QuickWorks® also provides functional and timing simulation for guaranteed timing and source-level debugging.

The UNIX-based QuickTools™ and PC-based QuickWorks-Lite™ packages are a subset of QuickWorks® and provide a solution for designers who use schematic-only design flow third-party tools for design entry, synthesis, or simulation. QuickTools™ and QuickWorks-Lite™ read EDIF netlists and provide support for all QuickLogic devices. QuickTools™ and QuickWorks-Lite™ also support a wide range of third-party modeling and simulation tools. In addition, the PC-based package combines all the features of QuickWorks-Lite™ with the SCS schematic capture environment, providing a low-cost design entry and compilation solution.

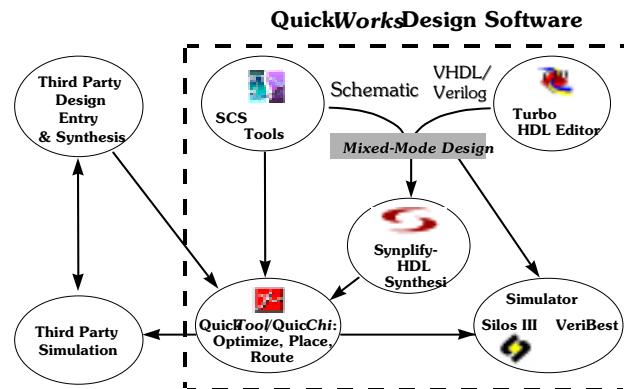


FIGURE 5. QuickWorks® Tool Suite

Pin Type Descriptions

The QL5232 Device Pins are indicated in the table below. These are pins on the device, some of which connect to the PCI bus, and others that are programmable as user IO.

| Type | Description |
|--------------|---|
| IN | Input. A standard input-only signal |
| OUT | Totem pole output. A standard active output driver |
| T/S | Tri-state. A bi-directional, tri-state input/output pin |
| S/T/S | Sustained Tri-state. An active low tri-state signal driven by one PCI agent at a time. It must be driven high for at least one clock before being disabled (set to Hi-Z). A pull-up needs to be provided by the PCI system central resource to sustain the inactive state once the active driver has released the signal. |
| O/D | Open Drain. Allows multiple devices to share this pin as a wired-or. |

| Pin/Bus Name | Type | Function |
|-------------------|------------|---|
| VCC | IN | Supply pin. Tie to 3.3V supply. |
| VCCIO | IN | Supply pin for I/O. Set to 3.3V for 3.3V I/O, 5V for 5.0V compliant I/O |
| GND | IN | Ground pin. Tie to GND on the PCB. |
| I/O | T/S | Programmable Input/Output/Tri-State/Bi-directional Pin. |
| GLCK/I | IN | Programmable Global Network or Input-only pin. Tie to VCC or GND if unused. |
| ACLK/I | IN | Programmable Array Network or Input-only pin. Tie to VCC or GND if unused. |
| RSVRD | IN | Reserved by QuickLogic for future PCB. |
| TDI/RSI* | IN | JTAG Data In/RAM Init. Serial Data In. Tie to VCC if unused. Connect to Serial EPROM data for RAM init. |
| TDO/RCO* | OUT | JTAG Data Out/RAM Init Clock. Leave unconnected if unused. Connect to Serial EPROM clock for RAM init. |
| TCK | IN | JTAG Clock. Tie to GND if unused. |
| TMS | IN | JTAG Test Mode Select. Tie to VCC if unused. |
| TRSTB/RRO* | IN | JTAG Reset/RAM Init. Reset Out. Tie to GND if unused. Connect to Serial EPROM reset for RAM init. |
| STM | IN | QuickLogic Reserved pin. Tie to GND on the PCB. |

* See QuickNote 65 on the QuickLogic web site for information on RAM initialization.

QL5232 External Device Pins

| Pin/Bus Name | Type | Function |
|------------------|--------------|---|
| AD[31:0] | T/S | PCI Address and Data: 32 bit multiplexed address/data bus. |
| CBEN[3:0] | T/S | PCI Bus Command and Byte Enables: Multiplexed bus which contains byte enables for AD[31:0] or the Bus Command during the address phase of a PCI transaction. |
| PAR | T/S | PCI Parity: Even Parity across AD[31:0] and C/BEN[3:0] busses. Driven one clock after address or data phases. Master drives PAR on address cycles and PCI writes. The Target drives PAR on PCI reads. |
| FRAMEN | S/T/S | PCI Cycle Frame: Driven active by current PCI Master during a PCI transaction. Driven low to indicate the address cycle, driven high at the end of the transaction. |
| DEVSELN | S/T/S | PCI Device Select. Driven by a Target that has decoded a valid base address. |
| CLK | IN | PCI System Clock Input. |
| RSTN | IN | PCI System Reset Input |
| REQN | T/S | PCI Request. Indicates to the Arbiter that this PCI Agent (Initiator) wishes to use the bus. A point to point signal between the PCI Device and the System Arbiter. |
| GNTN | IN | PCI Grant. Indicates to a PCI Agent (Initiator) that it has been granted access to the PCI bus by the Arbiter. A point to point signal between the PCI device and the System Arbiter. |
| PERRN | S/T/S | PCI Data Parity Error. Driven active by the initiator or target two clock cycles after a data parity error is detected on the AD and C/BE# busses. |
| SERRN | O/D | PCI System Error: Driven active when an address cycle parity error, data parity error during a special cycle, or other catastrophic error is detected. |
| IDSEL | IN | PCI Initialization Device Select. Use to select a specific PCI Agent during System Initialization. |
| IRDYN | S/T/S | PCI Initiator Ready. Indicates the Initiator's ability to complete a read or write transaction. Data transfer occurs only on clock cycles where both IRDYN and TRDYN are active. |
| TRDYN | S/T/S | PCI Target Ready. Indicates the Target's ability to complete a read or write transaction. Data transfer occurs only on clock cycles where both IRDYN and TRDYN are active. |
| STOPN | S/T/S | PCI Stop. Used by a PCI Target to end a burst transaction. |
| INTAN | O/D | Interrupt A. Asynchronous Active-Low Interrupt Request. |

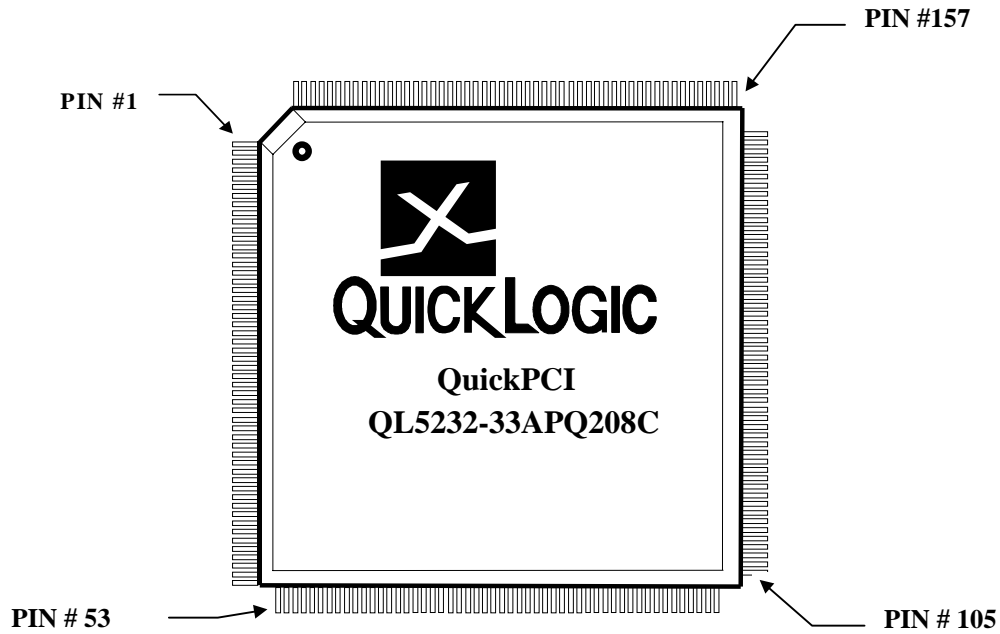


FIGURE 6. 208-pin PQFP

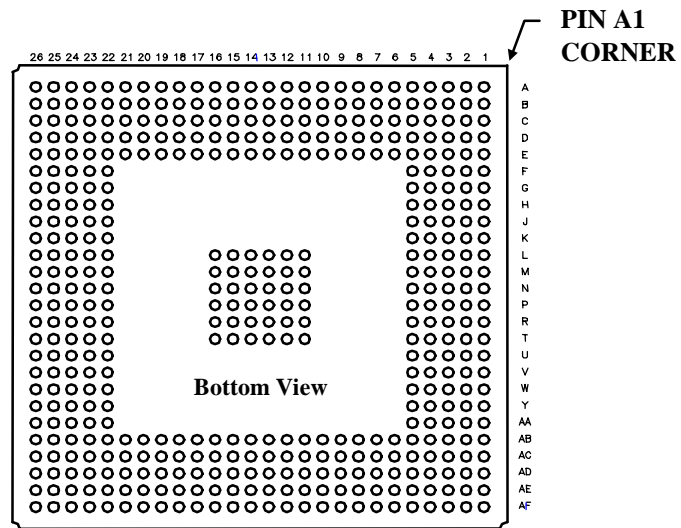


FIGURE 7. 456-pin PBGA

QL5232 - QuickPC™

QL5232 - 208 PQFP Pinout Table

| PQ208 | Function | PQ208 | Function | PQ208 | Function | PQ208 | Function | PQ208 | Function |
|-------|----------|-------|----------|-------|----------|-------|----------|-------|----------|
| 1 | I/O | 43 | GND | 85 | AD[3] | 127 | GND | 169 | I/O |
| 2 | I/O | 44 | IDSEL | 86 | AD[2] | 128 | I/O | 170 | I/O |
| 3 | I/O | 45 | AD[23] | 87 | AD[1] | 129 | GCLK/I | 171 | I/O |
| 4 | I/O | 46 | AD[22] | 88 | AD[0] | 130 | ACLK/I | 172 | I/O |
| 5 | I/O | 47 | AD[21] | 89 | I/O | 131 | VCC | 173 | I/O |
| 6 | I/O | 48 | AD[20] | 90 | I/O | 132 | GCLK/I | 174 | I/O |
| 7 | I/O | 49 | AD[19] | 91 | I/O | 133 | GCLK/I | 175 | I/O |
| 8 | I/O | 50 | AD[18] | 92 | I/O | 134 | VCC | 176 | I/O |
| 9 | I/O | 51 | AD[17] | 93 | I/O | 135 | I/O | 177 | GND |
| 10 | VCC | 52 | AD[16] | 94 | I/O | 136 | I/O | 178 | I/O |
| 11 | I/O | 53 | CBEN[2] | 95 | GND | 137 | I/O | 179 | I/O |
| 12 | GND | 54 | TDI | 96 | I/O | 138 | I/O | 180 | I/O |
| 13 | I/O | 55 | FRAMEN | 97 | VCC | 139 | I/O | 181 | I/O |
| 14 | I/O | 56 | IRDYN | 98 | I/O | 140 | I/O | 182 | GND |
| 15 | I/O | 57 | TRDYN | 99 | I/O | 141 | I/O | 183 | I/O |
| 16 | I/O | 58 | DEVSELN | 100 | I/O | 142 | I/O | 184 | I/O |
| 17 | I/O | 59 | GND | 101 | I/O | 143 | I/O | 185 | I/O |
| 18 | I/O | 60 | STOPN | 102 | I/O | 144 | I/O | 186 | I/O |
| 19 | I/O | 61 | VCC | 103 | TRSTB | 145 | VCC | 187 | VCCIO |
| 20 | I/O | 62 | RSVRD | 104 | TMS | 146 | I/O | 188 | I/O |
| 21 | I/O | 63 | RSVRD | 105 | I/O | 147 | GND | 189 | I/O |
| 22 | I/O | 64 | PERRN | 106 | I/O | 148 | I/O | 190 | I/O |
| 23 | GND | 65 | RSVRD | 107 | I/O | 149 | I/O | 191 | I/O |
| 24 | INTAN | 66 | SERRN | 108 | I/O | 150 | I/O | 192 | I/O |
| 25 | RSTN | 67 | PAR | 109 | I/O | 151 | I/O | 193 | I/O |
| 26 | ACLK/I | 68 | CBEN[1] | 110 | I/O | 152 | I/O | 194 | I/O |
| 27 | VCC | 69 | AD[15] | 111 | I/O | 153 | I/O | 195 | I/O |
| 28 | GCLK/I | 70 | AD[14] | 112 | I/O | 154 | I/O | 196 | I/O |
| 29 | CLK | 71 | AD[13] | 113 | I/O | 155 | I/O | 197 | I/O |
| 30 | VCC | 72 | AD[12] | 114 | VCC | 156 | I/O | 198 | I/O |
| 31 | GNTN | 73 | GND | 115 | I/O | 157 | TCK | 199 | GND |
| 32 | REQN | 74 | AD[11] | 116 | GND | 158 | STM | 200 | I/O |
| 33 | AD[31] | 75 | AD[10] | 117 | I/O | 159 | I/O | 201 | VCC |
| 34 | AD[30] | 76 | AD[9] | 118 | I/O | 160 | I/O | 202 | I/O |
| 35 | AD[29] | 77 | AD[8] | 119 | I/O | 161 | I/O | 203 | I/O |
| 36 | AD[28] | 78 | GND | 120 | I/O | 162 | I/O | 204 | I/O |
| 37 | AD[27] | 79 | CBEN[0] | 121 | I/O | 163 | GND | 205 | I/O |
| 38 | AD[26] | 80 | AD[7] | 122 | I/O | 164 | I/O | 206 | I/O |
| 39 | AD[25] | 81 | AD[6] | 123 | I/O | 165 | VCC | 207 | TDO |
| 40 | AD[24] | 82 | AD[5] | 124 | I/O | 166 | I/O | 208 | I/O |
| 41 | VCC | 83 | VCCIO | 125 | I/O | 167 | I/O | | |
| 42 | CBEN[3] | 84 | AD[4] | 126 | I/O | 168 | I/O | | |

QL5232 - QuickPCIT™

QL5232 456-PBGA Pinout Table

| PB456 | Function | PB456 | Function | PB456 | Function | PB456 | Function | PB456 | Function |
|-------|----------|-------|----------|-------|----------|-------|-----------|-------|-----------|
| A1 | I/O | B26 | STM | D25 | I/O | H4 | I/O | M14 | GND/THERM |
| A2 | I/O | C1 | I/O | D26 | I/O | H5 | NC | M15 | GND/THERM |
| A3 | I/O | C2 | I/O | E1 | I/O | H22 | NC | M16 | GND/THERM |
| A4 | I/O | C3 | I/O | E2 | I/O | H23 | I/O | M22 | NC |
| A5 | I/O | C4 | TDO | E3 | I/O | H24 | I/O | M23 | NC |
| A6 | I/O | C5 | I/O | E4 | I/O | H25 | I/O | M24 | I/O |
| A7 | I/O | C6 | I/O | E5 | GND | H26 | I/O | M25 | I/O |
| A8 | I/O | C7 | I/O | E6 | VCC | J1 | I/O | M26 | I/O |
| A9 | I/O | C8 | I/O | E7 | GND | J2 | I/O | N1 | CLK |
| A10 | I/O | C9 | I/O | E8 | NC | J3 | I/O | N2 | I/O |
| A11 | I/O | C10 | I/O | E9 | GND | J4 | NC | N3 | I/O |
| A12 | VCCIO | C11 | I/O | E10 | I/O | J5 | GND | N4 | RSTN |
| A13 | I/O | C12 | I/O | E11 | GND | J22 | NC | N5 | VCC |
| A14 | I/O | C13 | I/O | E12 | GND | J23 | NC | N11 | GND/THERM |
| A15 | I/O | C14 | I/O | E13 | VCC | J24 | I/O | N12 | GND/THERM |
| A16 | I/O | C15 | I/O | E14 | GND | J25 | I/O | N13 | GND/THERM |
| A17 | I/O | C16 | I/O | E15 | GND | J26 | I/O | N14 | GND/THERM |
| A18 | I/O | C17 | I/O | E16 | GND | K1 | I/O | N15 | GND/THERM |
| A19 | I/O | C18 | I/O | E17 | NC | K2 | I/O | N16 | GND/THERM |
| A20 | I/O | C19 | I/O | E18 | GND | K3 | I/O | N22 | GND |
| A21 | I/O | C20 | I/O | E19 | NC | K4 | I/O | N23 | I/O |
| A22 | I/O | C21 | I/O | E20 | GND | K5 | VCC | N24 | I/O |
| A23 | I/O | C22 | I/O | E21 | VCC | K22 | GND | N25 | I/O |
| A24 | I/O | C23 | I/O | E22 | GND | K23 | I/O | N26 | I/O |
| A25 | I/O | C24 | I/O | E23 | I/O | K24 | I/O | P1 | I/O |
| A26 | I/O | C25 | TCK | E24 | I/O | K25 | I/O | P2 | I/O |
| B1 | I/O | C26 | I/O | E25 | I/O | K26 | I/O | P3 | I/O |
| B2 | I/O | D1 | I/O | E26 | I/O | L1 | I/O | P4 | I/O |
| B3 | I/O | D2 | I/O | F1 | I/O | L2 | I/O | P5 | NC |
| B4 | I/O | D3 | I/O | F2 | I/O | L3 | I/O | P11 | GND/THERM |
| B5 | I/O | D4 | GND | F3 | I/O | L4 | I/O | P12 | GND/THERM |
| B6 | I/O | D5 | I/O | F4 | NC | L5 | NC | P13 | GND/THERM |
| B7 | I/O | D6 | NC | F5 | VCC | L11 | GND/THERM | P14 | GND/THERM |
| B8 | I/O | D7 | I/O | F22 | VCC | L12 | GND/THERM | P15 | GND/THERM |
| B9 | I/O | D8 | I/O | F23 | NC | L13 | GND/THERM | P16 | GND/THERM |
| B10 | I/O | D9 | GND | F24 | I/O | L14 | GND/THERM | P22 | NC |
| B11 | I/O | D10 | I/O | F25 | I/O | L15 | GND/THERM | P23 | GCLK / I |
| B12 | I/O | D11 | I/O | F26 | I/O | L16 | GND/THERM | P24 | ACLK / I |
| B13 | I/O | D12 | GND | G1 | I/O | L22 | NC | P25 | I/O |
| B14 | I/O | D13 | I/O | G2 | I/O | L23 | I/O | P26 | ACLK / I |
| B15 | I/O | D14 | I/O | G3 | I/O | L24 | I/O | R1 | I/O |
| B16 | I/O | D15 | GND | G4 | I/O | L25 | I/O | R2 | I/O |
| B17 | I/O | D16 | I/O | G5 | NC | L26 | I/O | R3 | I/O |
| B18 | I/O | D17 | I/O | G22 | GND | M1 | ACLK / I | R4 | NC |
| B19 | I/O | D18 | GND | G23 | I/O | M2 | GCLK/I | R5 | NC |
| B20 | I/O | D19 | I/O | G24 | I/O | M3 | I/O | R11 | GND/THERM |
| B21 | I/O | D20 | I/O | G25 | I/O | M4 | NC | R12 | GND/THERM |
| B22 | I/O | D21 | NC | G26 | I/O | M5 | GND | R13 | GND/THERM |
| B23 | I/O | D22 | I/O | H1 | I/O | M11 | GND/THERM | R14 | GND/THERM |
| B24 | I/O | D23 | GND | H2 | I/O | M12 | GND/THERM | R15 | GND/THERM |
| B25 | I/O | D24 | I/O | H3 | I/O | M13 | GND/THERM | R16 | GND/THERM |

QL5232 - QuickPC™

QL5232 456-PBGA Pinout Table

| PB456 | Function | PB456 | Function | PB456 | Function | PB456 | Function |
|-------|-------------|-------|----------|-------|----------|-------|----------|
| R22 | VCC | Y1 | I/O | AC6 | NC | AE5 | AD[27] |
| R23 | NC | Y2 | I/O | AC7 | AD[22] | AE6 | CBEN[3] |
| R24 | I/O | Y3 | I/O | AC8 | AD[18] | AE7 | AD[21] |
| R25 | I/O | Y4 | I/O | AC9 | NC | AE8 | AD[17] |
| R26 | GCLK / I | Y5 | I/O | AC10 | STOPN | AE9 | AD[16] |
| T1 | I/O | Y22 | GND | AC11 | I/O | AE10 | DEVSELN |
| T2 | I/O | Y23 | I/O | AC12 | NC | AE11 | PERRN |
| T3 | I/O | Y24 | I/O | AC13 | AD[11] | AE12 | CBEN[1] |
| T4 | I/O | Y25 | I/O | AC14 | VCCIO | AE13 | AD[12] |
| T5 | VCC | Y26 | I/O | AC15 | NC | AE14 | AD[8] |
| T11 | GND/THERMAL | AA1 | I/O | AC16 | AD[2] | AE15 | AD[5] |
| T12 | GND/THERMAL | AA2 | I/O | AC17 | I/O | AE16 | AD[1] |
| T13 | GND/THERMAL | AA3 | NC | AC18 | NC | AE17 | I/O |
| T14 | GND/THERMAL | AA4 | NC | AC19 | I/O | AE18 | I/O |
| T15 | GND/THERMAL | AA5 | VCC | AC20 | I/O | AE19 | I/O |
| T16 | GND/THERMAL | AA22 | VCC | AC21 | I/O | AE20 | I/O |
| T22 | GND | AA23 | NC | AC22 | NC | AE21 | I/O |
| T23 | I/O | AA24 | I/O | AC23 | GND | AE22 | I/O |
| T24 | I/O | AA25 | I/O | AC24 | I/O | AE23 | NC |
| T25 | I/O | AA26 | I/O | AC25 | I/O | AE24 | TMS |
| T26 | I/O | AB1 | I/O | AC26 | I/O | AE25 | I/O |
| U1 | I/O | AB2 | I/O | AD1 | I/O | AE26 | I/O |
| U2 | I/O | AB3 | I/O | AD2 | NC | AF1 | I/O |
| U3 | I/O | AB4 | I/O | AD3 | I/O | AF2 | I/O |
| U4 | I/O | AB5 | GND | AD4 | I/O | AF3 | REQN |
| U5 | GND | AB6 | VCC | AD5 | AD[28] | AF4 | AD[31] |
| U22 | NC | AB7 | NC | AD6 | AD[24] | AF5 | AD[29] |
| U23 | I/O | AB8 | NC | AD7 | IDSEL | AF6 | AD[25] |
| U24 | I/O | AB9 | NC | AD8 | AD[20] | AF7 | AD[23] |
| U25 | I/O | AB10 | VCC | AD9 | FRAMEN | AF8 | AD[19] |
| U26 | I/O | AB11 | GND | AD10 | TRDYN | AF9 | CBEN[2] |
| V1 | I/O | AB12 | NC | AD11 | I/O | AF10 | IRDYN |
| V2 | I/O | AB13 | AD[15] | AD12 | PAR | AF11 | I/O |
| V3 | I/O | AB14 | GND | AD13 | AD[13] | AF12 | SERRN |
| V4 | NC | AB15 | VCC | AD14 | AD[9] | AF13 | AD[14] |
| V5 | NC | AB16 | AD[6] | AD15 | CBEN[0] | AF14 | AD[10] |
| V22 | GND | AB17 | NC | AD16 | AD[4] | AF15 | AD[7] |
| V23 | NC | AB18 | VCC | AD17 | I/O | AF16 | AD[3] |
| V24 | I/O | AB19 | GND | AD18 | I/O | AF17 | AD[0] |
| V25 | I/O | AB20 | NC | AD19 | I/O | AF18 | I/O |
| V26 | I/O | AB21 | VCC | AD20 | I/O | AF19 | I/O |
| W1 | I/O | AB22 | GND | AD21 | I/O | AF20 | I/O |
| W2 | I/O | AB23 | I/O | AD22 | I/O | AF21 | I/O |
| W3 | I/O | AB24 | I/O | AD23 | TRSTB | AF22 | I/O |
| W4 | I/O | AB25 | I/O | AD24 | I/O | AF23 | I/O |
| W5 | NC | AB26 | I/O | AD25 | I/O | AF24 | I/O |
| W22 | NC | AC1 | I/O | AD26 | I/O | AF25 | I/O |
| W23 | I/O | AC2 | I/O | AE1 | TDI | AF26 | I/O |
| W24 | I/O | AC3 | NC | AE2 | INTAN | | |
| W25 | I/O | AC4 | GND | AE3 | GNTN | | |
| W26 | I/O | AC5 | AD[26] | AE4 | AD[30] | | |

QL5232 - QuickPCIT™

Absolute Maximum Ratings

| | | | |
|-------------------------|--------------------|--------------------------|----------------|
| VCC Voltage..... | -0.5 to 4.6V | DC Input Current | ±20 mA |
| VCCIO Voltage | -0.5 to 7.0V | ESD Pad Protection..... | ±2000V |
| Input Voltage | -0.5 to VCCIO+0.5V | Storage Temperature..... | -65°C to +150C |
| Latch-up Immunity | ±200mA | Lead Temperature..... | 300°C |

Operating Range

| Symbol | Parameter | Military | | Industrial | | Commercial | | Unit |
|--------|-----------------------------|----------|------|------------|------|------------|------|------|
| | | Min | Max | Min | Max | Min | Max | |
| VCC | Supply Voltage | 3.0 | 3.6 | 3.0 | 3.6 | 3.0 | 3.6 | V |
| VCCIO | I/O Input Tolerance Voltage | 3.0 | 5.5 | 3.0 | 5.5 | 3.0 | 5.25 | V |
| TA | Ambient Temperature | -55 | | -40 | 85 | 0 | 70 | °C |
| TC | Case Temperature | | 125 | | | | | °C |
| K | Delay Factor -A Speed Grade | 0.42 | 1.02 | 0.43 | 0.95 | 0.46 | 0.93 | |

DC Characteristics

| Symbol | Parameter | Conditions | Min | Max | Unit |
|--------|----------------------------------|------------------------|------------|-----------|------|
| VIH | Input HIGH Voltage | | 0.5VCC | VCCIO+0.5 | V |
| VIL | Input LOW Voltage | | -0.5 | 0.3VCC | V |
| VOH | Output HIGH Voltage | IOH = -12 mA | 2.4 | | V |
| | | IOH = -500 µA | 0.9VCC | | V |
| VOL | Output LOW Voltage | IOL = 16 mA | | 0.45 | V |
| | | IOL = 1.5 mA | | 0.1VCC | V |
| II | I or I/O Input Leakage Current | VI = VCCIO or GND | -10 | 10 | µA |
| IOZ | 3-State Output Leakage Current | VI = VCCIO or GND | -10 | 10 | µA |
| CI | Input Capacitance [1] | | | 10 | pF |
| IOS | Output Short Circuit Current [2] | VO = GND | -15 | -180 | mA |
| | | VO = VCC | 40 | 210 | mA |
| ICC | D.C. Supply Current [3] | VI, VIO = VCCIO or GND | 0.50 (typ) | 2 | mA |
| ICCIO | D.C. Supply Current on VCCIO | | 0 | 100 | µA |

Notes:

- [1] Capacitance is sample tested only.
- [2] Only one output at a time. Duration should not exceed 30 seconds.
- [3] For -A commercial grade device only. Maximum ICC is 3 mA for all industrial grade devices. For AC conditions, contact QuickLogic Customer Engineering.

AC CHARACTERISTICS at VCC = 3.3V, TA = 25°C (K = 1.00)

(To calculate delays, multiply the appropriate K factor in the “Operating Range” section by the following numbers.)

Logic Cells

| Symbol | Parameter | Propagation Delays (ns) Fanout [5] | | | | |
|--------|-------------------------|---------------------------------------|-----|-----|-----|-----|
| | | 1 | 2 | 3 | 4 | 8 |
| tPD | Combinatorial Delay [6] | 1.4 | 1.7 | 1.9 | 2.2 | 3.2 |
| tSU | Setup Time [6] | 1.7 | 1.7 | 1.7 | 1.7 | 1.7 |
| tH | Hold Time | 0.0 | 0.0 | 0.0 | 0.0 | 0.0 |
| tCLK | Clock to Q Delay | 0.7 | 1.0 | 1.2 | 1.5 | 2.5 |
| tCWHI | Clock High Time | 1.2 | 1.2 | 1.2 | 1.2 | 1.2 |
| tCWLO | Clock Low Time | 1.2 | 1.2 | 1.2 | 1.2 | 1.2 |
| tSET | Set Delay | 1.0 | 1.3 | 1.5 | 1.8 | 2.8 |
| tRESET | Reset Delay | 0.8 | 1.1 | 1.3 | 1.6 | 2.6 |
| tSW | Set Width | 1.9 | 1.9 | 1.9 | 1.9 | 1.9 |
| tRW | Reset Width | 1.8 | 1.8 | 1.8 | 1.8 | 1.8 |

RAM Cell Synchronous Write Timing

| Symbol | Parameter | Propagation Delays (ns) Fanout [4] | | | | |
|--------|------------------------|---------------------------------------|-----|-----|-----|-----|
| | | 1 | 2 | 3 | 4 | 8 |
| TSWA | WA Setup Time to WCLK | 1.0 | 1.0 | 1.0 | 1.0 | 1.0 |
| THWA | WA Hold Time to WCLK | 0.0 | 0.0 | 0.0 | 0.0 | 0.0 |
| TSWD | WD Setup Time to WCLK | 1.0 | 1.0 | 1.0 | 1.0 | 1.0 |
| THWD | WD Hold Time to WCLK | 0.0 | 0.0 | 0.0 | 0.0 | 0.0 |
| TSWE | WE Setup Time to WCLK | 1.0 | 1.0 | 1.0 | 1.0 | 1.0 |
| THWE | WE Hold Time to WCLK | 0.0 | 0.0 | 0.0 | 0.0 | 0.0 |
| TWCRD | WCLK to RD (WA=RA) [4] | 5.0 | 5.3 | 5.6 | 5.9 | 7.1 |

Notes:

- [4] Stated timing for worst case Propagation Delay over process variation at VCC=3.3V and TA=25°C. Multiply by the appropriate Delay Factor, K, for speed grade, voltage and temperature settings as specified in the Operating Range.
- [5] These limits are derived from a representative selection of the slowest paths through the QuickRAM logic cell including typical net delays. Worst case delay values for specific paths should be determined from timing analysis of your particular design.

RAM Cell Synchronous Read Timing

| Symbol | Parameter | Propagation Delays (ns) Fanout | | | | |
|--------|-----------------------|-----------------------------------|-----|-----|-----|-----|
| | | 1 | 2 | 3 | 4 | 8 |
| TSRA | RA Setup Time to RCLK | 1.0 | 1.0 | 1.0 | 1.0 | 1.0 |
| THRA | RA Hold Time to RCLK | 0.0 | 0.0 | 0.0 | 0.0 | 0.0 |
| TSRE | RE Setup Time to RCLK | 1.0 | 1.0 | 1.0 | 1.0 | 1.0 |
| THRE | RE Hold Time to RCLK | 0.0 | 0.0 | 0.0 | 0.0 | 0.0 |
| TRCRD | RCLK to RD [5] | 4.0 | 4.3 | 4.6 | 4.9 | 6.1 |

RAM Cell Asynchronous Read Timing

| Symbol | Parameter | Propagation Delays (ns) Fanout | | | | |
|--------|--------------|-----------------------------------|-----|-----|-----|-----|
| | | 1 | 2 | 3 | 4 | 8 |
| RPDRD | RA to RD [5] | 3.0 | 3.3 | 3.6 | 3.9 | 5.1 |

Input-Only Cells

| Symbol | Parameter | Propagation Delays (ns) Fanout [5] | | | | | | |
|--------|--|---------------------------------------|-----|-----|-----|-----|-----|-----|
| | | 1 | 2 | 3 | 4 | 8 | 12 | 24 |
| TIN | High Drive Input Delay | 1.5 | 1.6 | 1.8 | 1.9 | 2.4 | 2.9 | 4.4 |
| TINI | High Drive Input, Inverting Delay | 1.6 | 1.7 | 1.9 | 2.0 | 2.5 | 3.0 | 4.5 |
| TISU | Input Register Set-Up Time | 3.1 | 3.1 | 3.1 | 3.1 | 3.1 | 3.1 | 3.1 |
| TIH | Input Register Hold Time | 0.0 | 0.0 | 0.0 | 0.0 | 0.0 | 0.0 | 0.0 |
| TICLK | Input Register Clock To Q | 0.7 | 0.8 | 1.0 | 1.1 | 1.6 | 2.1 | 3.6 |
| TIRST | Input Register Reset Delay | 0.6 | 0.7 | 0.9 | 1.0 | 1.5 | 2.0 | 3.5 |
| TIESU | Input Register Clock Enable Setup Time | 2.3 | 2.3 | 2.3 | 2.3 | 2.3 | 2.3 | 2.3 |
| TIEH | Input Register Clock Enable Hold Time | 0.0 | 0.0 | 0.0 | 0.0 | 0.0 | 0.0 | 0.0 |

Clock Cells

| Symbols | Parameter | Propagation Delays (ns) Loads per Half Column [6] | | | | | | | |
|---------|---------------------------|--|-----|-----|-----|-----|-----|-----|-----|
| | | 1 | 2 | 3 | 4 | 8 | 10 | 12 | 15 |
| tACK | Array Clock Delay | 1.2 | 1.2 | 1.3 | 1.3 | 1.5 | 1.6 | 1.7 | 1.8 |
| tGCKP | Global Clock Pin Delay | 0.7 | 0.7 | 0.7 | 0.7 | 0.7 | 0.7 | 0.7 | 0.7 |
| tGCKB | Global Clock Buffer Delay | 0.8 | 0.8 | 0.9 | 0.9 | 1.1 | 1.2 | 1.3 | 1.4 |

Notes:

- [6] The array distributed networks consist of 40 half columns and the global distributed networks consist of 44 half columns, each driven by an independent buffer. The number of half columns used does not affect clock buffer delay. The array clock has up to 8 loads per half column. The global clock has up to 11 loads per half column.

I/O Cell Input Delays

| Symbol | Parameter | Propagation Delays (ns) | | | | | |
|--------|---|-------------------------|-----|-----|-----|-----|-----|
| | | Fanout [5] | | | | | |
| | | 1 | 2 | 3 | 4 | 8 | 10 |
| tI/O | Input Delay (bidirectional pad) | 1.3 | 1.6 | 1.8 | 2.1 | 3.1 | 3.6 |
| TISU | Input Register Set-Up Time | 3.1 | 3.1 | 3.1 | 3.1 | 3.1 | 3.1 |
| TIH | Input Register Hold Time | 0.0 | 0.0 | 0.0 | 0.0 | 0.0 | 0.0 |
| TIOCLK | Input Register Clock To Q | 0.7 | 1.0 | 1.2 | 1.5 | 2.5 | 3.0 |
| TIORST | Input Register Reset Delay | 0.6 | 0.9 | 1.1 | 1.4 | 2.4 | 2.9 |
| TIESU | Input Register clock Enable Set-Up Time | 2.3 | 2.3 | 2.3 | 2.3 | 2.3 | 2.3 |
| TIEH | Input Register Clock Enable Hold Time | 0.0 | 0.0 | 0.0 | 0.0 | 0.0 | 0.0 |

I/O Cell Output Delays

| Symbol | Parameter | Propagation Delays (ns) | | | | |
|--------|------------------------------------|------------------------------|-----|-----|-----|-----|
| | | Output Load Capacitance (pF) | | | | |
| | | 30 | 50 | 75 | 100 | 150 |
| TOUTLH | Output Delay Low to High | 2.1 | 2.5 | 3.1 | 3.6 | 4.7 |
| TOUTH | Output Delay High to Low | 2.2 | 2.6 | 3.2 | 3.7 | 4.8 |
| TPZH | Output Delay Tri-state to High | 1.2 | 1.7 | 2.2 | 2.8 | 3.9 |
| TPZL | Output Delay Tri-state to Low | 1.6 | 2.0 | 2.6 | 3.1 | 4.2 |
| TPHZ | Output Delay High to Tri-State [8] | 2.0 | | | | |
| TPLZ | Output Delay Low to Tri-State [8] | 1.2 | | | | |

Notes:

[7] The following loads are used for tPXZ:

