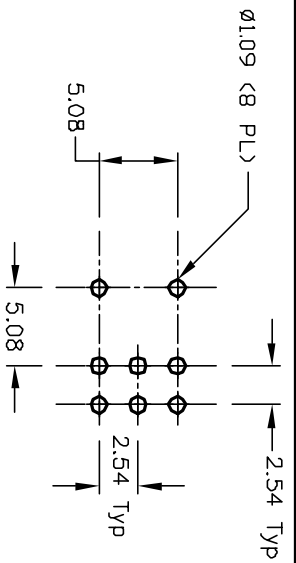
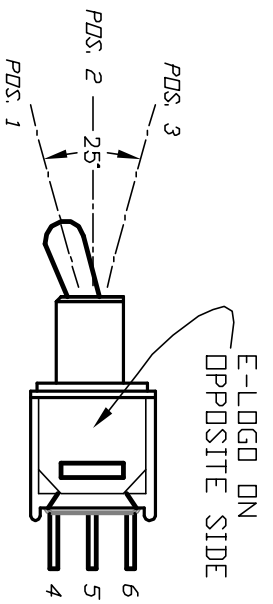
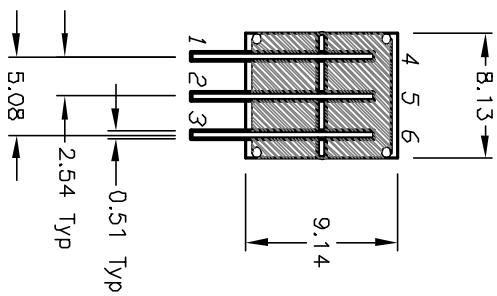
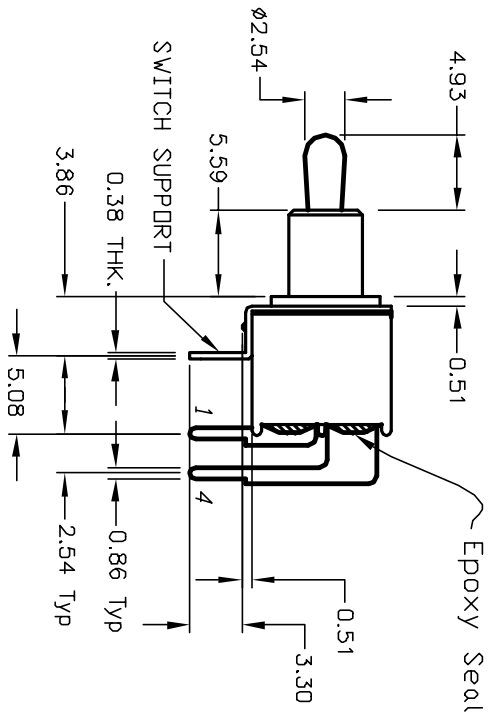
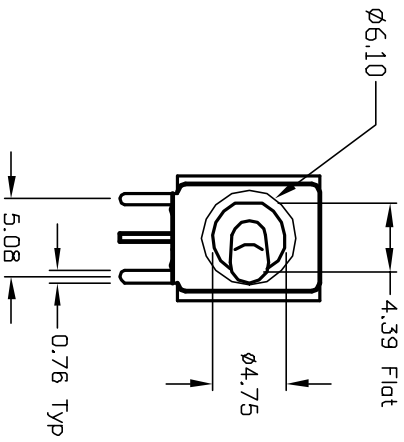


CIRCUIT: DPDT

SWITCH FUNCTION		
POS. 1	POS. 2	POS. 3
DN	NDNE	DN
2-3,5-6	DPEN	2-1,5-4



RECOMMENDED P.C.B. LAYOUT



NOTES:

1. ALL DIMENSIONS IN MM
2. GENERAL TOLERANCE: X.X=±0.4
X.XX=±0.25
3. TERM. NOS. FOR REF. ONLY
4. CONTACT RATING: 3A @120V AC or 28VDC;
1A @250V AC
5. FIXED TERMINAL & MOVING CONTACT:
COPPER ALLOY W/Silver plate
6. ELECTRIC LIFE: 30,000 make-and-break cycles
at full load.
7. INSULATION RESISTANCE: 1,000 M ohm min.
8. DIELECTRIC STRENGTH: 1,000 V RMS @sea level.
9. OPERATING TEMP.: -30°C to 85°C

E-SWITCH®

REVISED AND REDRAWN		TITLE	
B	12312	4/12/01	CJB
REV.	ECN No.	DATE	CHKD
DESCRIPTION		SCALE	DATE
200 MDP-1 T2 B2 M6 Q E		2:1	7/19/02
DR		DWG	REV
CJB		T221003	B

THE INFORMATION CONTAINED IN THIS DOCUMENT IS PROPRIETARY TO E-SWITCH AND IS NOT TO BE COPIED OR TRANSMITTED