

Switching Spark Gap

UN2K8 Series

Description

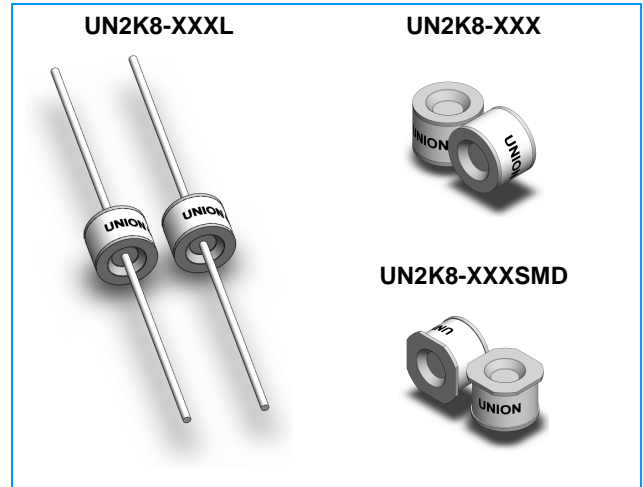
The 2K8 series is a two-terminal, bi-directional, voltage triggered switch, specifically for ignition circuits used in high pressure HID lighting. The gas plasma trigger technology offers very fast switch speeds with improved di/dt values compared to similar function silicon based devices. Switching voltages are fixed depending on the part number selected.

Agency Approvals

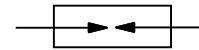
- u Non-Radioactive
- u RoHS Compliant
- u Fast breakdown-time
- u Very high switch speed when switch voltage achieved, High di/dt allows for optimum performance of ignition transformers.
- u Long service life

Applications

- u HID Xenon discharge lamps ignite
- u Gas stoves
- u Detonating devices(EBW)
- u Transient Power
- u Other electronic ignition circuit



Schematic Symbol



Product Characteristics

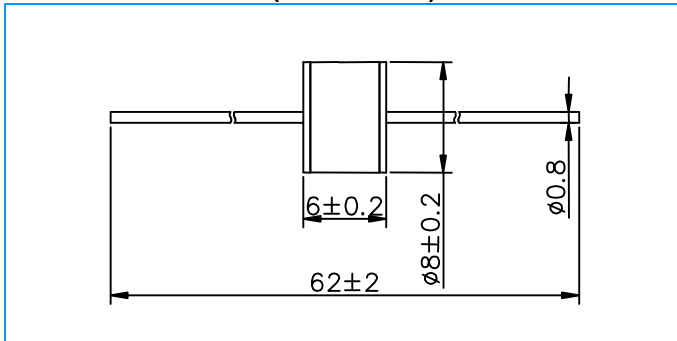
Materials	Leaded Device: Nickel-plated with Tinplated wires Without wire and Surface Mount: Dull Tin-plated	
Product Marking	UNION XXXK XXX -Nominal voltage K - Switch Spark Gap	
Max Load Current	50mA	
Breakdown Time	≤50mS	
Insulation Resistance at DC100 V	>1GΩ	
Capacitance	1.5pF	
Storage Temperature	-40 to +90°C	
Operational Temperature	-20 to +125°C	
Weight	UN2K8-XXXL	~1.5g
	UN2K8-XXX	~1.35g
	UN2K8-XXXSMD	~1.5g

Switching Spark Gap

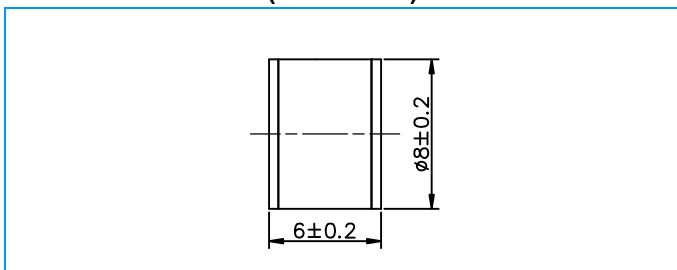
UN2K8 Series

Dimensions Unit: mm

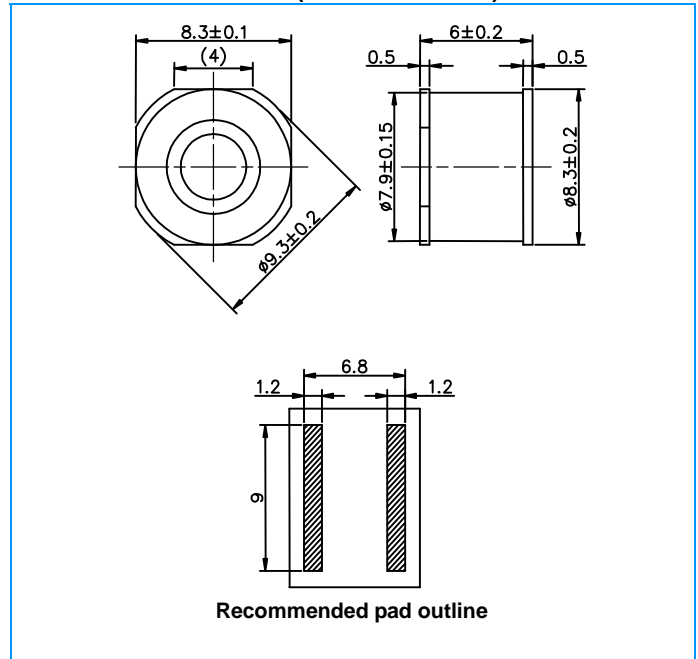
Axial Leaded Devices (UN2K8-XXXXL)



Without wire Devices (UN2K8-XXX)



Surface Mount Devices (UN2K8-XXXSMD)



Electrical Specifications

Part Number	UN2K8-230L UN2K8-230 UN2K8-230SMD	UN2K8-300L UN2K8-300 UN2K8-300SMD	UN2K8-350L-1 UN2K8-350-1 UN2K8-350SMD-1	UN2K8-350L UN2K8-350 UN2K8-350SMD	UN2K8-350L-2 UN2K8-350-2 UN2K8-350SMD-2	UN2K8-400L UN2K8-400 UN2K8-400SMD
Nominal breakdown voltage	230V	300V	320V	350V	370V	400V
Initial values ²⁾						
Static breakdown voltage ¹⁾						
First ignition value after 24 hours in darkness	≤260V	≤340V	≤360V	≤400V	≤420V	≤450V
Following ignition values	195~240V	260~310V	275~330V	300~365V	325~385V	340~420V
Electrical life ³⁾						
Breakdown voltage						
After life test first ignition value after 24 hours in darkness	≤270V	≤360V	≤380V	≤430V	≤450V	≤480V
Following ignition values	195~265V	260~330V	275~350V	300~385V	325~405V	340~440V
Switching operations	200000 Ignitions	200000 Ignitions	200000 Ignitions	200000 Ignitions	200000 Ignitions	200000 Ignitions
Life test Circuit						
Open Circuit Voltage V_0	230V _{AC}	350V	400V	450V	450V	500V
Loading Resistance R	15KΩ	10KΩ	10KΩ	10KΩ	10KΩ	10KΩ
Discharge Capacitance C	2.2μF	680nF	680nF	680nF	680nF	680nF
Inductance L	10μH	0.5μH	0.5μH	0.5μH	0.5μH	0.5μH
Discharge Peak Current I_P	~300A	~500A	~500A	~500A	~500A	~500A
Maximum switching frequency	100Hz	100Hz	100Hz	100Hz	100Hz	100Hz

Switching Spark Gap

UN2K8 Series

Electrical Specifications (Continue)

Part Number	UN2K8-450L UN2K8-450 UN2K8-450SMD	UN2K8-500L UN2K8-500 UN2K8-500SMD	UN2K8-600L-1 UN2K8-600-1 UN2K8-600SMD-1	UN2K8-600L UN2K8-600 UN2K8-600SMD	UN2K8-800L-1 UN2K8-800-1 UN2K8-800SMD-1	UN2K8-800L UN2K8-800 UN2K8-800SMD
Nominal breakdown voltage	450V	500V	550V	600V	730V	800V
Initial values ²⁾						
Static breakdown voltage ¹⁾						
First ignition value after 24 hours in darkness	≤510V	≤570V	≤620V	≤720V	≤850V	≤920V
Following ignition values	400~475V	450~530V	500~585V	550~640V	640~810V	705~860V
Electrical life ³⁾						
Breakdown voltage						
After life test first ignition value after 24 hours in darkness	≤540V	≤600V	≤650V	≤750V	≤900V	≤950V
Following ignition values	400~495V	450~560V	500~620V	550~680V	640~840V	705~900V
Switching operations	200000 Ignitions	200000 Ignitions	200000 Ignitions	200000 Ignitions	200000 Ignitions	200000 Ignitions
Life test Circuit						
Open Circuit Voltage V_0	550V	600V	650V	750V	900V	1000V
Loading Resistance R	10KΩ	13KΩ	13KΩ	13KΩ	68KΩ	68KΩ
Discharge Capacitance C	680nF	470nF	470nF	470nF	100nF	100nF
Inductance L	0.5μH	0.1μH	0.1μH	0.1μH	0.4μH	0.4μH
Discharge Peak Current I_p	~500A	Max.1000A	Max.1000A	Max.1000A	~650A	~650A
Maximum switching frequency	100Hz	200Hz	200Hz	200Hz	200Hz	200Hz

1). At delivery AQL 0,65 level II, DIN ISO 2859

2). Fig. 1

3). Fig. 2

Test Circuit

Fig. 1: Breakdown Voltage Test Circuit

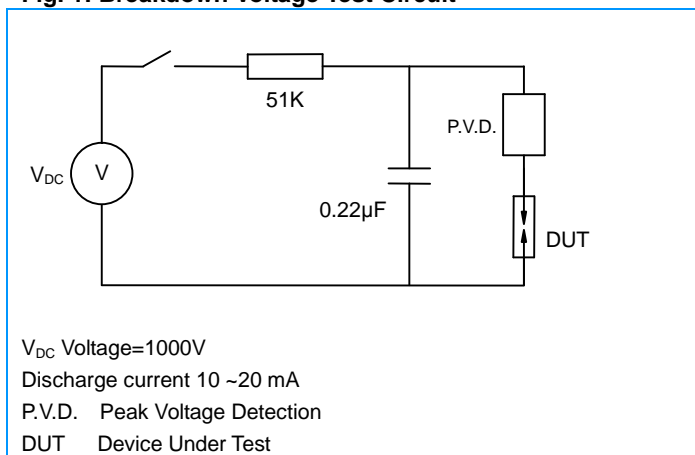
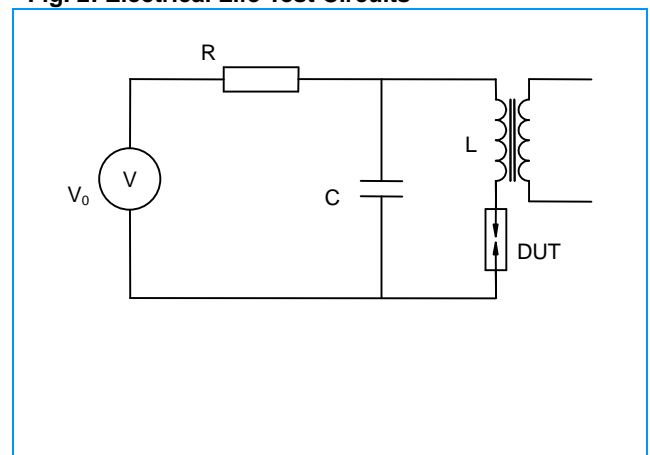


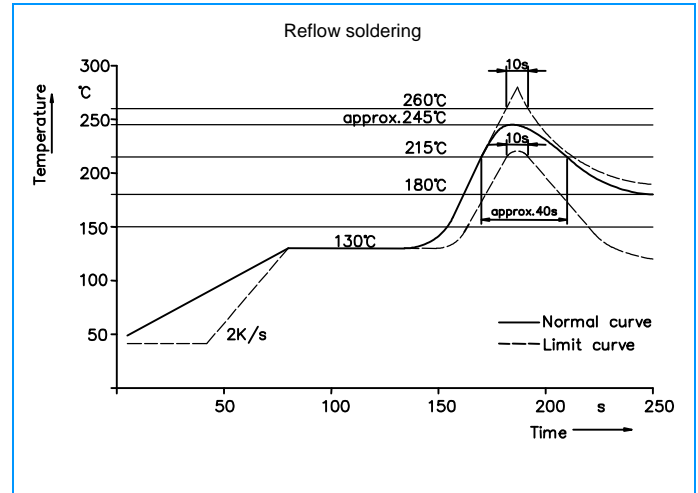
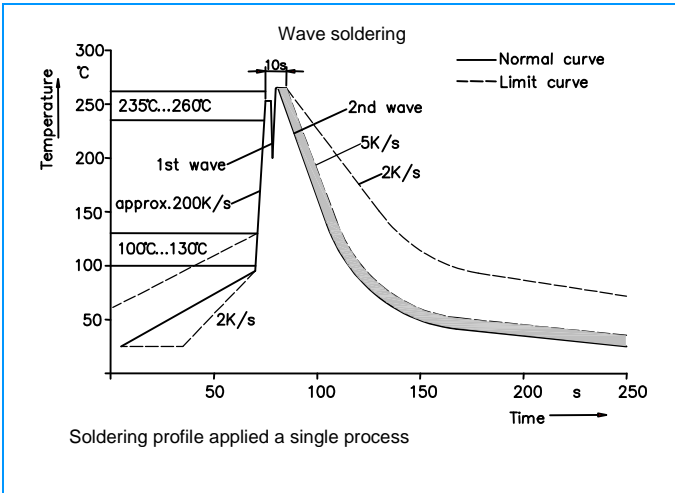
Fig. 2: Electrical Life Test Circuits



Switching Spark Gap

UN2K8 Series

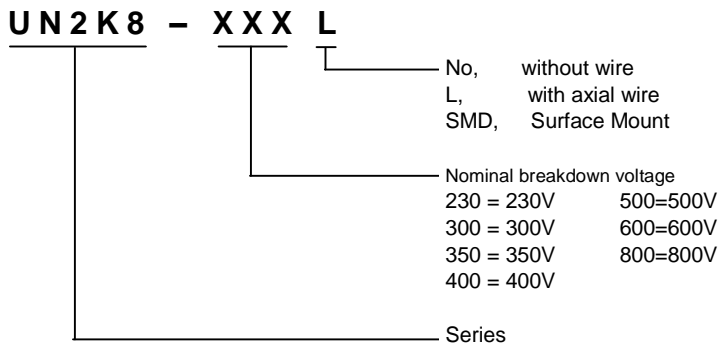
Recommended soldering profile



Soldering Parameters - Hand Soldering

Solder Iron Temperature: 350°C +/-5°C
Heating Time: 5 seconds max.

Part Numbering



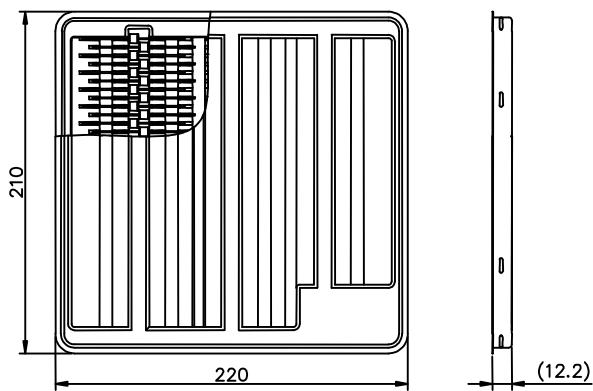
Switching Spark Gap

UN2K8 Series

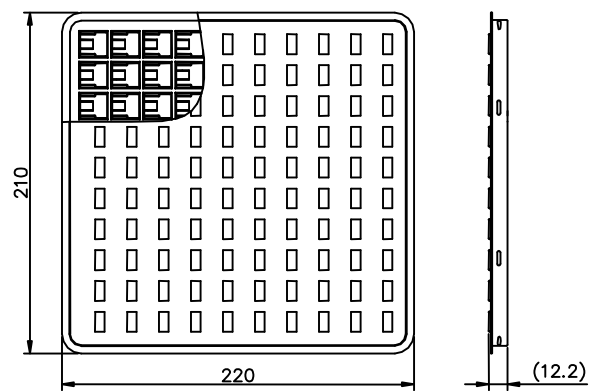
Packaging Information Unit: mm

Part Number	Description	Quantity
UN2K8-XXXL	100PCS per Tray, 10 Trays / Inner Carton	1000
UN2K8-XXX	100PCS per Tray, 10 Trays / Inner Carton	1000
UN2K8-XXXSMD	100PCS per Tray, 10 Trays / Inner Carton	1000
	Tape & Reel -16mm tape/13"Reel	500

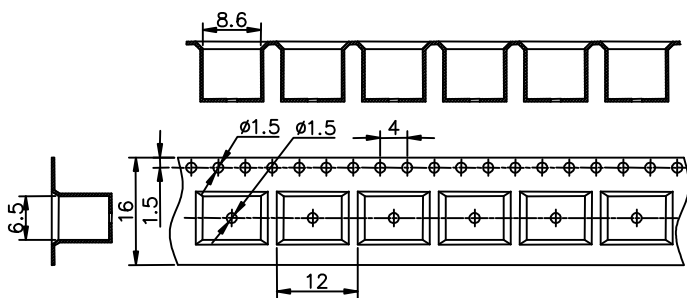
Tray used in UN2K8-XXXL



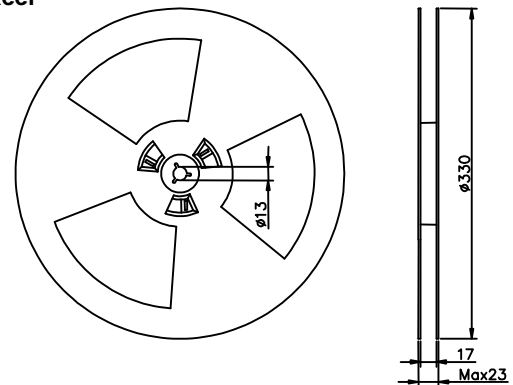
Tray used in UN2K8-XXX / UN2K8-XXXSMD



Tape Used in UN2K8-XXXSMD



Reel



Cautions and warnings

- Switching spark gaps may be used only within their specified values.
- Damaged switching spark gaps must not be re-used.