

PRODUCT NUMBER

75869-YXXLF

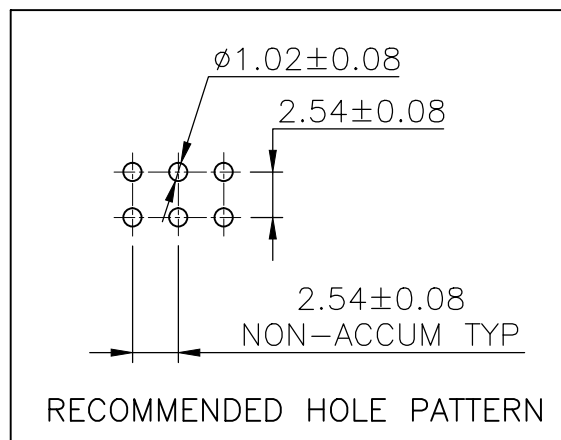
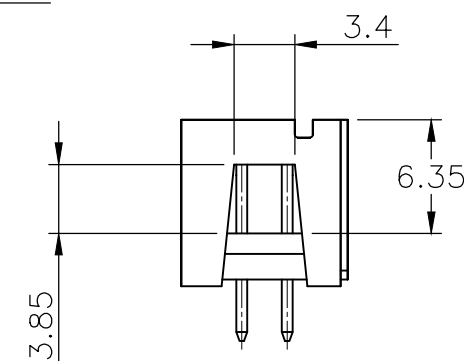
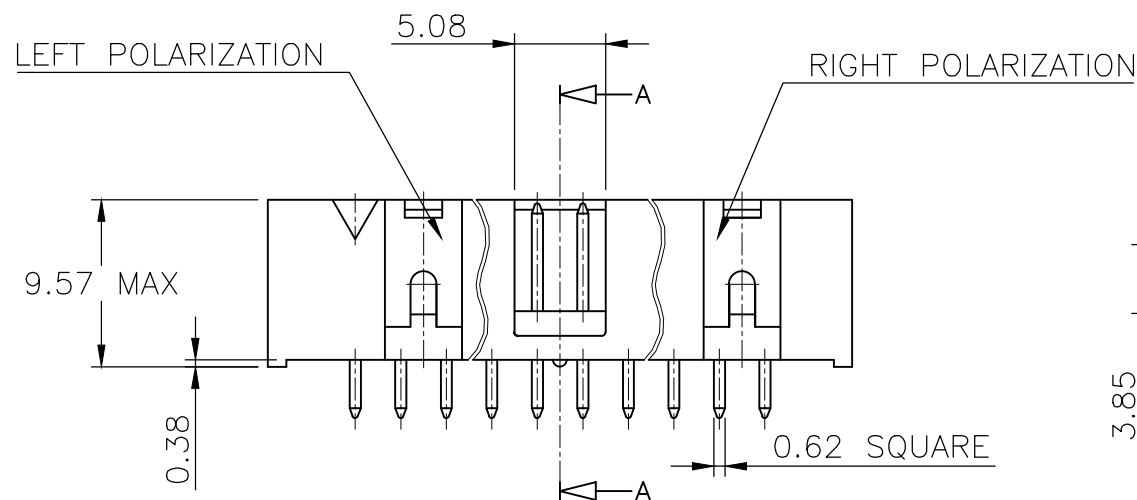
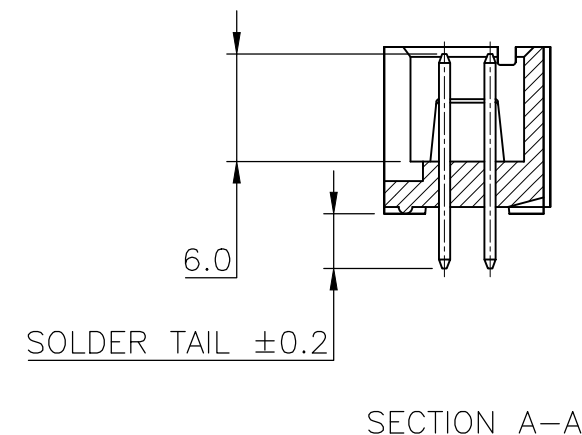
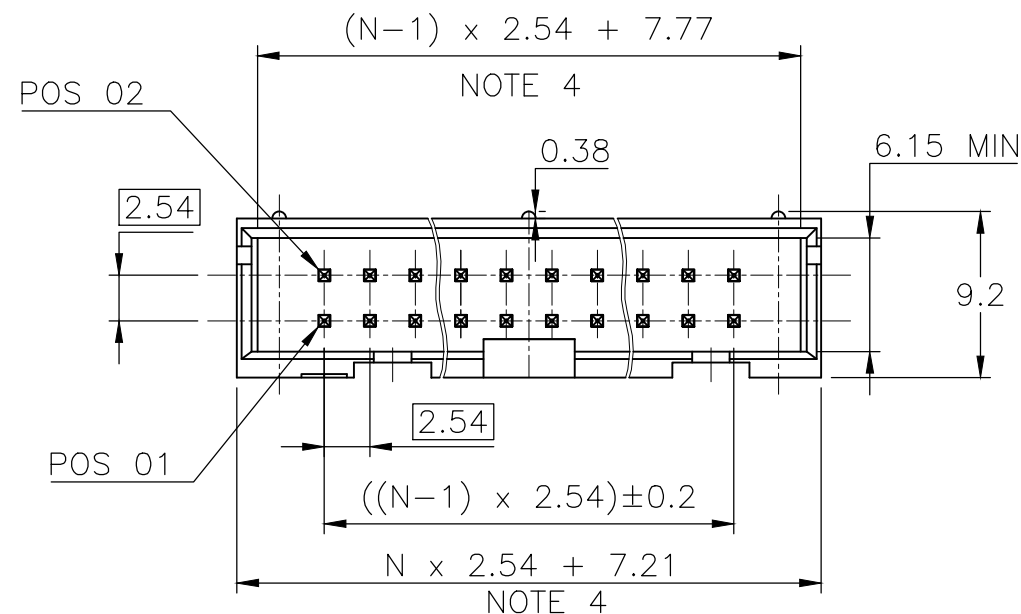
RoHS COMPATIBLE, SEE NOTE 5

PIN STYLE, SEE SHEET 2 & 3.

PLATING SEE SHEET 2 & 3.

NOTES:

- 1 - HOUSING MAT'L : GLASS FILLED THERMOPLASTIC. UL94V-0 COLOR: BLUE PART MEETS WITH GWT (725°C;960°C)
- 2 - PIN MATERIAL : PHOSPHOR BRONZE
- 3 - PACKAGING : POLYBAGS FROM 2X02 TO 2X04 POSITIONS TUBE FROM 2X05 TO 2X32 POSITIONS
- 4 - TO DETERMINE DIMENSIONS : N = NUMBER OF POSITIONS PER ROW EXAMPLE : 8 POS N x 2.54 = 20.32mm
- 5 - RoHS COMPATIBLE PRODUCT SPECIFICATIONS
  - a - PLATING:
    - "LF" MEANS THE PRODUCT IS LEAD-FREE, 2µm MINIMUM MATTE TIN OVER 1.27µm MINIMUM NICKEL UNDERPLATE.
  - b - MANUFACTURING PROCESS COMPATIBILITY
    - THE HOUSING WILL WITHSTAND EXPOSURE TO 260°C ±5°C SOLDER BATH TEMPERATURE FOR 5 SECONDS IN A WAVE SOLDER APPLICATION WITH A 1.6mm MIN THICK CIRCUIT BOARD.
  - c - LABELLING:
    - MEETS PACKAGING SPECS AS PER GS-14-920
  - d - LEGAL STATEMENT: SEE GS-47-0004



mat'l. code SEE NOTES				surface ISO 1302	tolerance ISO 406 ISO 1101	projection mm	product family QUICKIE
ltr	ecn no	dr	date	tolerances unless otherwise specified		scale 2.5:1	title SHR.LP.HEADER STR DR TMT
BK	F12-0086	JCO	12.07.17	angles	.X ±0.3		
BL	F12-0805	LMU	12.10.25	linear	.XX ±0.13	FCJ	sheet 1 of 3 75869 A3
BM	B-18120	LMU	14.07.10		.XXX ±0.05		
BN	B-19070	LMU	14.10.15	dr	D.LE 01.01.24	type CUSTOMER Drawing	
BP	B-19091	LMU	14.10.16	enrg	JM.C 01.01.24		
BR	B-20087	AMA	15.01.26	chr	JF.N 01.01.24		
				appd	JM.C 01.01.24		
sheet index	revision sheet	BR 1	BE 2	K 3			

STANDARD APPLICATION

PIN STYLE	NUMBER OF POSITIONS	SOLDER TAIL REF	LEFT POLARIZATION	RIGHT POLARIZATION
30	2 x 2	3.05	NO	NO
31	2 x 3	3.05	NO	NO
32	2 x 4	3.05	NO	NO
01	2 x 5	3.05	NO	YES
02	2 x 7	3.05	NO	YES
03	2 x 8	3.05	YES	YES
04	2 x 10	3.05	YES	YES
05	2 x 13	3.05	YES	YES
33	2 x 15	3.05	YES	YES
06	2 x 17	3.05	YES	YES
07	2 x 20	3.05	YES	YES
08	2 x 25	3.05	YES	YES
09	2 x 30	3.05	YES	YES
10	2 x 32	3.05	YES	YES

PLATING :

- 1 = 0.76µm GOLD/GXT  
(PdNi WITH GOLD FLASH) ON CONTACT AREA  
2µm MIN MATTE TIN ON TAIL
- 2 = 2µm TIN MIN FULL PLATED
- 3 = 0.38µm GOLD/GXT  
(PdNi WITH GOLD FLASH) ON CONTACT AREA  
2µm MIN MATTE TIN ON TAIL

UNDERPLATE : 1.27µm Ni MIN



FCIconnect.com

Copyright FCI

mat'l. code		surface		tolerance		projection		product family	
		ISO 1302 ✓		ISO 406 ISO 1101				QUICKIE	
ltr	ecn no	dr	date	tolerances unless otherwise specified				title	
BC	F08-0137	LMU	08.03.10	angles	linear			SHR.LP.HEADER	
BD	F08-0146	YOV	08.04.11			scale N/A		STR DR TMT	
BE	B-19091	LMU	14.10.16	dr	D.LE	01.01.24	dwg no		sheet 2 of - size
AY	F04-0389	JCO	04.12.22	enrg	JM.C	01.01.24	75869		A3
BA	F06-0229	LMU	06.07.18	chr	JF.N	01.01.24	type		CUSTOMER Drawing
BB	F07-0198	LMU	07.05.30	appd	JM.C	01.01.24			
sheet index	revision sheet								



APPLICATION SPECIFIC

PIN STYLE	NUMBER OF POSITIONS	SOLDER TAIL REF	PIN MISSING	LEFT POLARIZATION	RIGHT POLARIZATION
65	2x02	4.10		NO	NO
44	2x03	3.05	PIN 2	NO	NO
40	2x03	3.05	PIN 6	NO	NO
51	2x03	7.60		NO	NO
41	2x04	3.05	PIN 1	NO	NO
55	2x04	3.05	PIN 8	NO	NO
64	2x04	4.10		NO	YES
59	2x05	3.05	PIN 1,2,9,10	NO	YES
60	2x05	3.05	PIN 9	NO	YES
37	2x07	3.05	PIN 1	NO	YES
13	2x07	3.05	PIN 5	NO	YES
46	2x07	3.05	PIN 6	NO	YES
12	2x07	3.05	PIN 7	NO	YES
57	2x07	3.05	PIN 12	NO	YES
11	2x07	3.05	PIN 13	NO	YES
56	2x07	3.05	PIN 14	NO	YES
43	2x08	3.05	PIN 6 & 7	YES	YES
38	2x10	3.05	PIN 2	YES	YES
34	2x10	3.05	PIN 15	YES	YES
58	2x10	3.05	PIN 18	YES	YES
63	2x10	7.60		YES	YES
35	2x13	3.05	PIN 26	YES	YES
25	2x13	7.60		YES	YES
54	2x15	7.60		YES	YES
19	2x15	4.10		YES	YES
17	2x17	3.05	PIN 3	YES	YES
39	2x17	3.05	PIN 5	YES	YES
26	2x17	7.60		YES	YES
15	2x20	3.05	PIN 8	YES	YES
16	2x20	3.05	PIN 17	YES	YES
18	2x20	3.05	PIN 20	YES	YES
36	2x20	3.05	PIN 37	YES	YES
45	2x20	3.05	PIN 25,27,28	YES	YES
27	2x20	7.60		YES	YES
42	2x25	3.05	PIN 25	YES	YES
28	2x25	7.60		YES	YES
62	2x25	4.10		YES	YES



PLATING :

- 1 = 0.76µm GOLD/GXT  
(PdNi WITH GOLD FLASH) ON CONTACT AREA  
2µm MIN MATTE TIN ON TAIL
- 2 = 2µm TIN MIN FULL PLATED
- 3 = 0.38µm GOLD/GXT  
(PdNi WITH GOLD FLASH) ON CONTACT AREA  
2µm MIN MATTE TIN ON TAIL

UNDERPLATE : 1.27µm Ni MIN



Copyright FCI

mat'l. code		surface		tolerance		projection		product family	
		ISO 1302 <input checked="" type="checkbox"/>		ISO 406 <input type="checkbox"/> ISO 1101 <input type="checkbox"/>				QUICKIE	
ltr	ecn no	dr	date	tolerances unless otherwise specified		mm		title	
H	B-18120	LMU	14.07.10	angles		linear		SHR.LP.HEADER	
J	B-19091	LMU	14.10.16					STR DR TMT	
K	B-20087	AMA	15.01.26			scale N/A		dwg no	
				dr		MULIN.L		sheet 3 of - size	
				enr		COMPAGNON.J		75869	
				chr		NOTTEAU.JF		A3	
				appd		JM.C		type	
								CUSTOMER Drawing	
sheet	revision								
index	sheet								