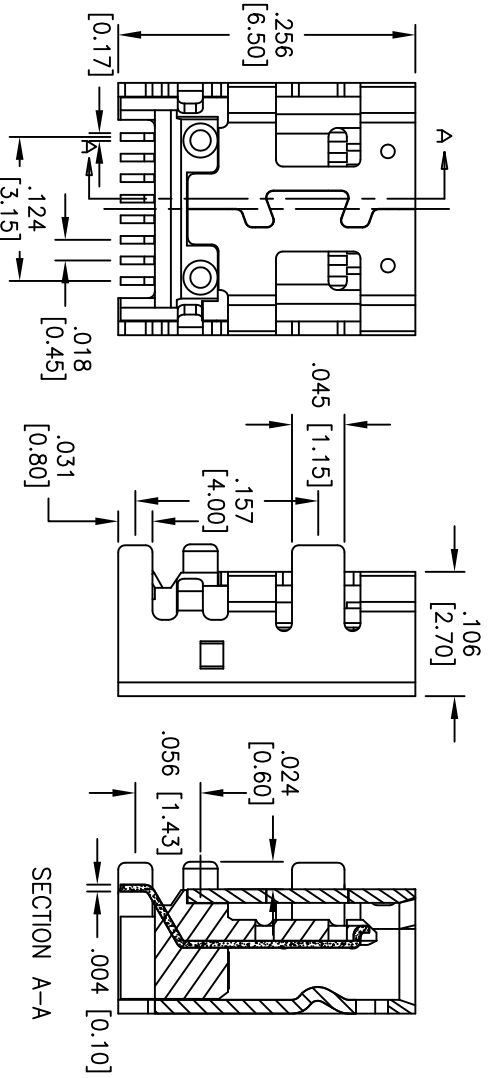
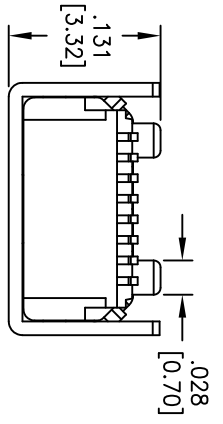
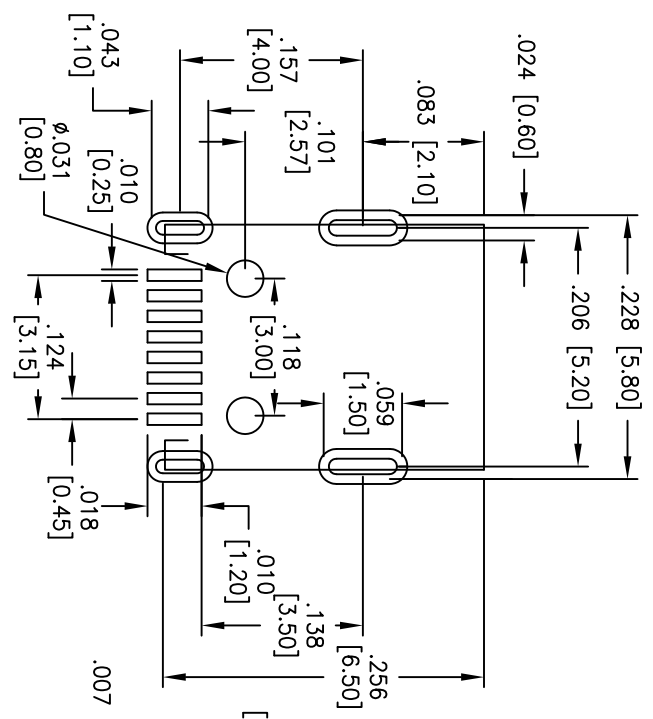
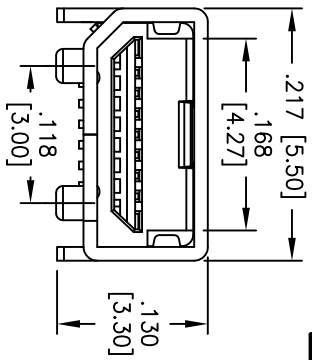


APPROVED: _____ TITLE: _____
 DATE: _____

Rev	AWO #	Description	Date	Appr
-		RELEASED	5/25/09	
A		REVISED DIM.	4/25/11	



RECOMMENDED PCB LAYOUT

SPECIFICATIONS:

- Material: Insulator: LCP, rated UL 94V-0
- Insulator color: Black
- Contacts: Phosphor Bronze
- Shell: Phosphor Bronze, Nickel plated
- Plating: Gold Flash over Nickel underplate overall

- Electrical: Current rating: 1 Amp max.
- Contact resistance: 30 mohms max.
- Insulation resistance: 1000 Mohms min. @ 500 VDC
- Dielectric withstanding voltage: 500 VAC for 1 minute
- Temperature Rating: Operating temperature: -55°C to +105°C



Lead free, RoHS compliant.
 Recommended soldering temp: 260°C for 5 sec.

ADAM TECH

909 Railway Avenue, Union, NJ 07083
 Phone: 908-687-5000 Fax: 908-687-5710

TITLE: MINI USB, 8P, FEMALE, SINGLE PORT
 RIGHT ANGLE, SMT TYPE

UNLESS OTHERWISE SPECIFIED ALL DIMENSIONS ARE MM TOLERANCES: EXCEPT AS NOTED INCHES		DRAWN: DY		5/25/09	
X .XX ± .10 XX .XX ± .020 XXX .XXX ± .015 XXX .XXX ± .010		CHECKED:		DATE: DATE	
APPROVALS:		SIZE: X		PART NO.: MUSB-8P-S-RA-SMT	
APPROVED:		REF: S00106T		SCALE: NTS	
				SHEET 1 OF 1	