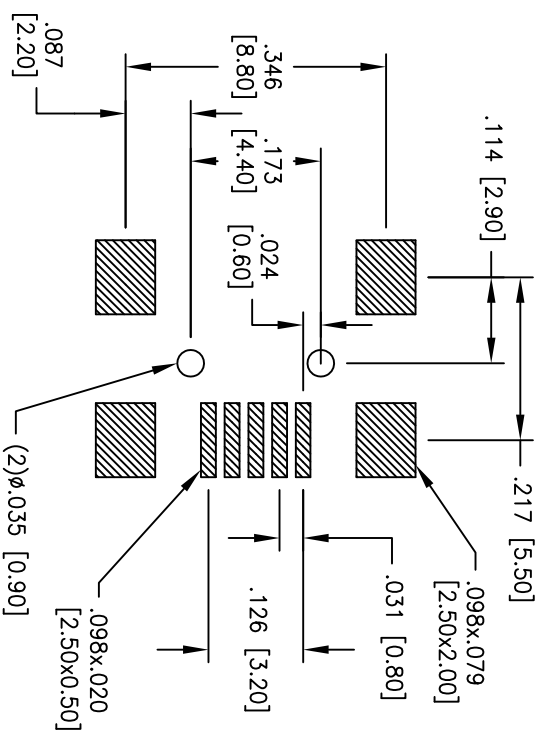
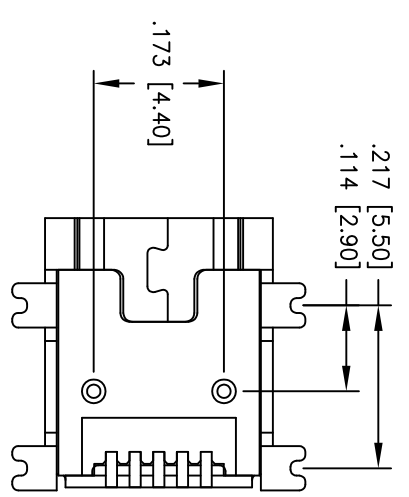
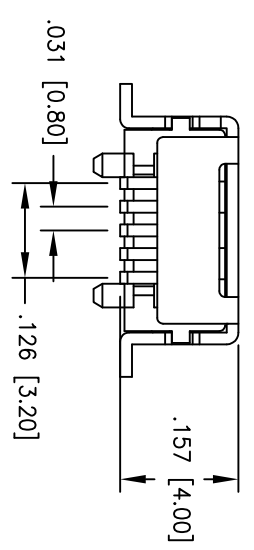
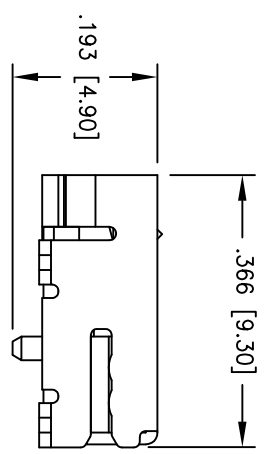
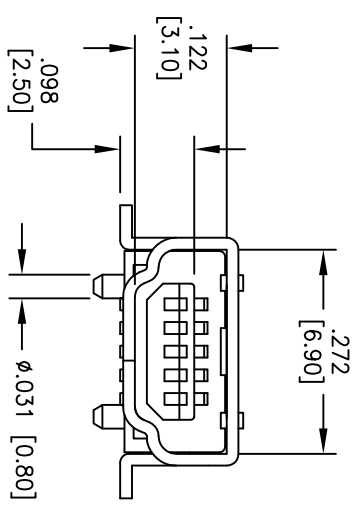


APPROVED: \_\_\_\_\_  
 DATE: \_\_\_\_\_ TITLE: \_\_\_\_\_

Rev	AWO #	Description	Date	Appr
-		RELEASED	12/3/04	
A		UPDATED WITH ROHS	12/7/06	
B		REVISED SPEC.	12/16/10	



PCB LAYOUT

**SPECIFICATIONS:**

**Material:**  
 Insulator: Hi-Temp Thermoplastic, rated UL94V-0  
 Insulator color: Black  
 Contacts: Phosphor Bronze  
 Shell: Steel, Tin plated  
 Plating:  
 Gold Flash over Nickel underplate on contact area, Tin over  
 Copper underplate on SMT tails

**Electrical:**

Operating voltage: 30 VAC max.  
 Current rating: 1 Amp max.  
 Contact resistance: 50 mohms max.  
 Insulation resistance: 100 Mohms min. @ 500 VDC  
 Dielectric withstanding voltage: 250 VAC for 1 minute  
 Temperature Rating:  
 Operating temperature: -55°C to +105°C  
 Environmental:  
 Lead free, RoHS compliant.  
 Recommended soldering temp: 260°C for 5 sec.



UNLESS OTHERWISE SPECIFIED  
 ALL DIMENSIONS ARE INCHES [MM]  
 TOLERANCES: EXCEPT AS NOTED  
 INCHES Holes  
 .X ± .10 ØXX ± .10  
 .XX ± .020 ØXX ± .015  
 .XXX ± .015 ØXXX ± .010

**ADAM TECH**  
 909 Rahway Avenue, Union, NJ 07083  
 Phone: 908-687-5000 Fax: 908-687-5710

APPROVALS	DATE	TITLE	SIZE	PART NO.	SCALE	SHEET	REV.
DRAWN	SS	10/4/04	X	MUSB-A-S-RA-TSMT	NTS	1 OF 1	B
CHECKED							
APPROVED							