

Rev	AWO #	Description	Date	Appr
-		RELEASED	1/23/08	

6

5

4

3

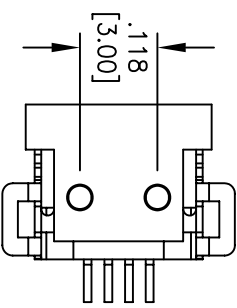
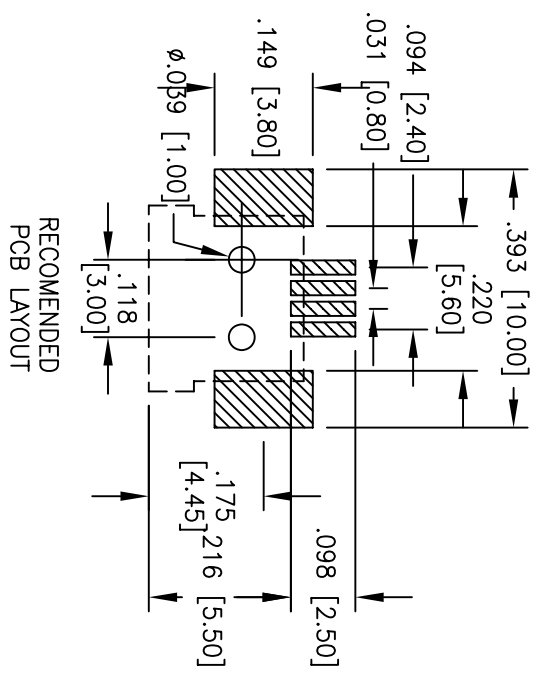
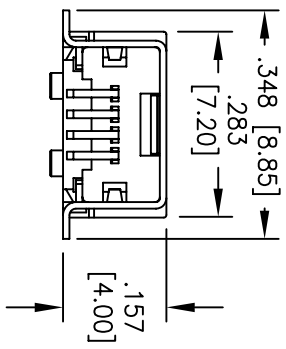
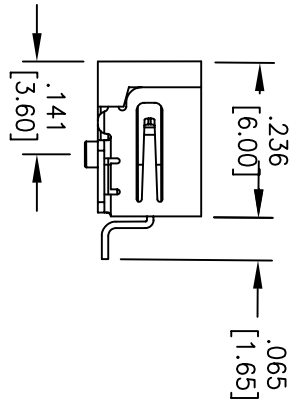
2

1

1

A

APPROVED: _____
 DATE: _____ TITLE: _____



SPECIFICATIONS:

Material: Insulator: Hi-Temp Nylon PA6T, rated UL 94V-0
 Contacts: Phosphor Bronze
 Shell: Steel, Tin plated
 Plating: Gold Flash over Nickel underplate on contact area, Tin over Copper underplate on SMT tails
 Electrical: Operating voltage: 30 VAC max.
 Current rating: 1 Amp max.
 Contact resistance: 50 mohms max.
 Insulation resistance: 100 Mohms min. @ 500 VDC
 Dielectric withstanding voltage: 250 VAC for 1 minute
 Temperature Rating: Operating temperature: -55°C to +105°C
 Environmental: Lead free, RoHS compliant.
 Recommended soldering temp: 260°C for 5 sec.

MIDDLE KEY	SINGLE KEY	DUAL KEY
MUSB-A4-S-RA-SMT-MK	MUSB-A4-S-RA-SMT-SK	MUSB-A4-S-RA-SMT-DK

ADAM TECH

909 Railway Avenue, Union, NJ 07083
 Phone: 908-687-5000 Fax: 908-687-5710

TITLE: MINI USB, TYPE A, 4 PIN, SINGLE PORT
 RIGHT ANGLE, SMT, KEYED

UNLESS OTHERWISE SPECIFIED ALL DIMENSIONS ARE INCHES [MM]		TOLERANCES: EXCEPT AS NOTED	
INCHES		HOLES	
.XX ± .10	ØXX ± .10	.XXX ± .015	ØXXX ± .015
APPROVALS		DATE	
DRAWN	SS	1/23/08	
CHECKED			
APPROVED			
SIZE	PART NO.	SCALE:	REV.
X	MUSB-A4-S-RA-TSMT-XX	NTS	-
REF:		SHEET	1 OF 1

6

5

4

3

2

1

A

