



BNC Twinax Jack Bulkhead Connector Solder Attachment Solder Cup Terminal, .350 inch D Hole

TECHNICAL DATA SHEET

PE4238

BNC Twinax Jack Bulkhead Connector Solder Attachment Solder Cup Terminal, .350 inch D Hole

Configuration

Connector	BNC Twinax Jack
Connector Specification	MIL-STD-348A
Connector Interface Type	Solder Cup
Cable Attachment Method (Shield/Contact)	Solder
Body Style	Straight
Mount Method	Bulkhead

Electrical Specifications

Impedance, Ohms	78
-----------------	----

Mechanical Specifications

Size

Length, in [mm]	1.032 [26.21]
Width/Dia., in [mm]	0.5 [13]
Weight, lbs [g]	0.013 [5.9]

Connector

Type	BNC Twinax Jack
Contact Material and Plating	Brass, Gold
Contact Plating Specification	30μ in. minimum
Body Material and Plating	Brass, Nickel
Body Plating Specification	100μ in. minimum
Dielectric Type	Teflon

Compliance Certifications (visit www.Pasternack.com for current document)

RoHS Compliant	Yes
----------------	-----

Plotted and Other Data

Notes: Values at 25 °C, sea level

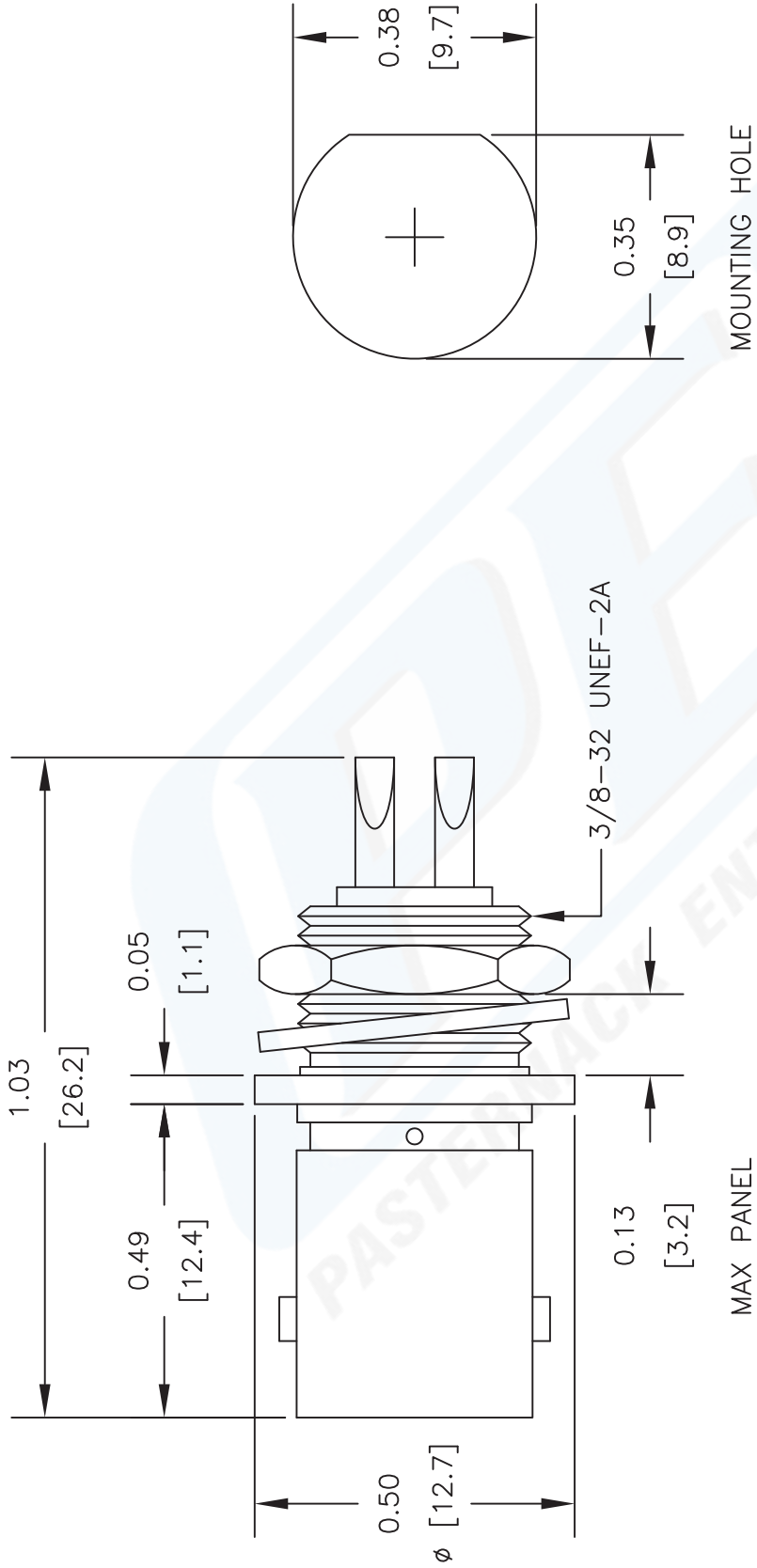
URL: <http://www.pasternack.com/bnc-twinax-jack-standard-solder-cup-terminal-connector-pe4238-p.aspx>

BNC Twinax Jack Bulkhead Connector Solder Attachment Solder Cup Terminal, .350 inch D Hole from Pasternack Enterprises has same day shipment for domestic and International orders. We maintain 99% availability of the industry's broadest selection of RF, microwave and fiber optic products.

The information contained in this document is accurate to the best of our knowledge and representative of the part described herein. It may be necessary to make modifications to the part and/or the documentation of the part, in order to implement improvements. Pasternack reserves the right to make such changes as required. Unless otherwise stated, all specifications are nominal.

PE4238 CAD Drawing

BNC Twinax Jack Bulkhead Connector Solder Attachment
Solder Cup Terminal, .350 inch D Hole



DWG TITLE

PE4238

- NOTES:
1. UNLESS OTHERWISE SPECIFIED ALL DIMENSIONS ARE NOMINAL.
2. ALL SPECIFICATIONS ARE SUBJECT TO CHANGE WITHOUT NOTICE AT ANY TIME.
3. DIMENSIONS ARE IN INCHES [mm].
4. FITS MIL-C-17 AND EQUIVALENT CABLES.

REV. -

FSCM NO. 53919

CAD FILE 042309

SCALE N/A

SIZE A

147



Pasternack Enterprises, Inc.
P.O. Box 16759 | Irvine | CA | 92623
Phone: (949) 261-1920 | Fax: (949) 261-7451
Website: www.pasternack.com | E-Mail: sales@pasternack.com