

QT-Brightek SMD Display Series

0.20" Single Digit SMD Display

Part No.: QBSS20ZXX

XX= Color

Z= 1: Common Cathode

Z = 0: Common Anode

Table of Contents:

Introduction	3
Electrical / Optical Characteristic: (Ta=25 °C)	4
Absolute Maximum Rating	4
Pin Configuration	5
Characteristic Curves: (AlInGaP)	6
Solder Profile & Footprint	7
Packing & Labeling	8
Ordering Information	9
Revision History	10
Disclaimer	10

Product: QBSS20ZXX	Date: July 31, 2015	Page 2 of 10
	Version# 1.2	

Introduction

Feature:

- 0.20" Single digit seven segments display
- Low power consumption
- Packed in reel
- White segment and grey surface
- XX = color code
- X=1: Common Cathode or 0: Common Anode

Description:

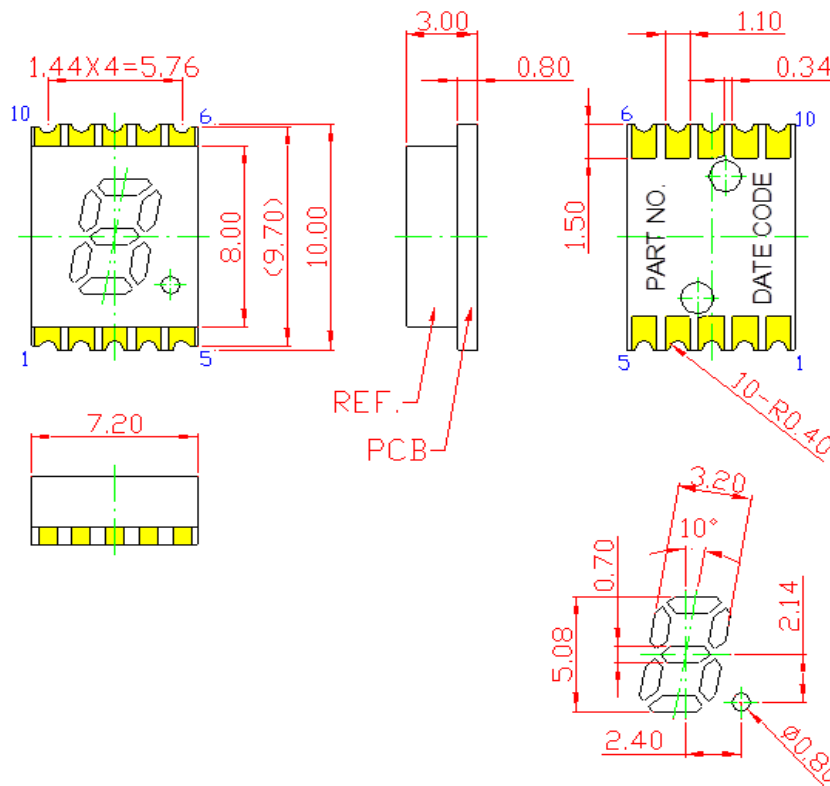
These 0.20" Single digit seven segments displays are made with white segment and grey surface. The viewing distance is up to seven meters.

Application:

- Instrument panels
- Indoor/Outdoor display board
- Audio equipment

Certification & Compliance:

- TS16949
- ISO9001
- RoHS Compliant

**Dimension:**

Units: mm / tolerance = +/-0.25mm

Electrical / Optical Characteristic: (Ta=25 °C)

Product		Material	Color	I _F (mA)	V _F (V)		λ _d (nm)			I _V (mcd)
CC	CA				Typ.	Max.	Min.	Typ.	Max.	Typ.
QBSS201R	QBSS200R	AllnGaP	Red	20	2.0	2.6	-	625	-	20
QBSS201AG	QBSS200AG	AllnGaP	Yellow Green	20	2.0	2.6	-	570	-	7

Absolute Maximum Rating

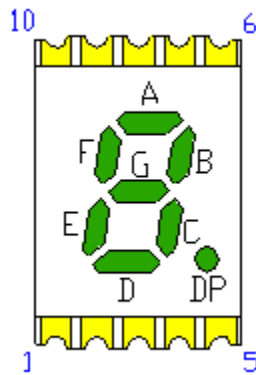
Material	P _d (mW)	Derating linear from 25C per dice (mA/C)	I _F (mA)	V _R (V)	T _{OP} (°C)	T _{ST} (°C)	T _{SOL} (°C)**
AllnGaP	70	0.28	25	5	-40 to + 105	-40 to +105	260

*Duty 1/10 @ 1KHz

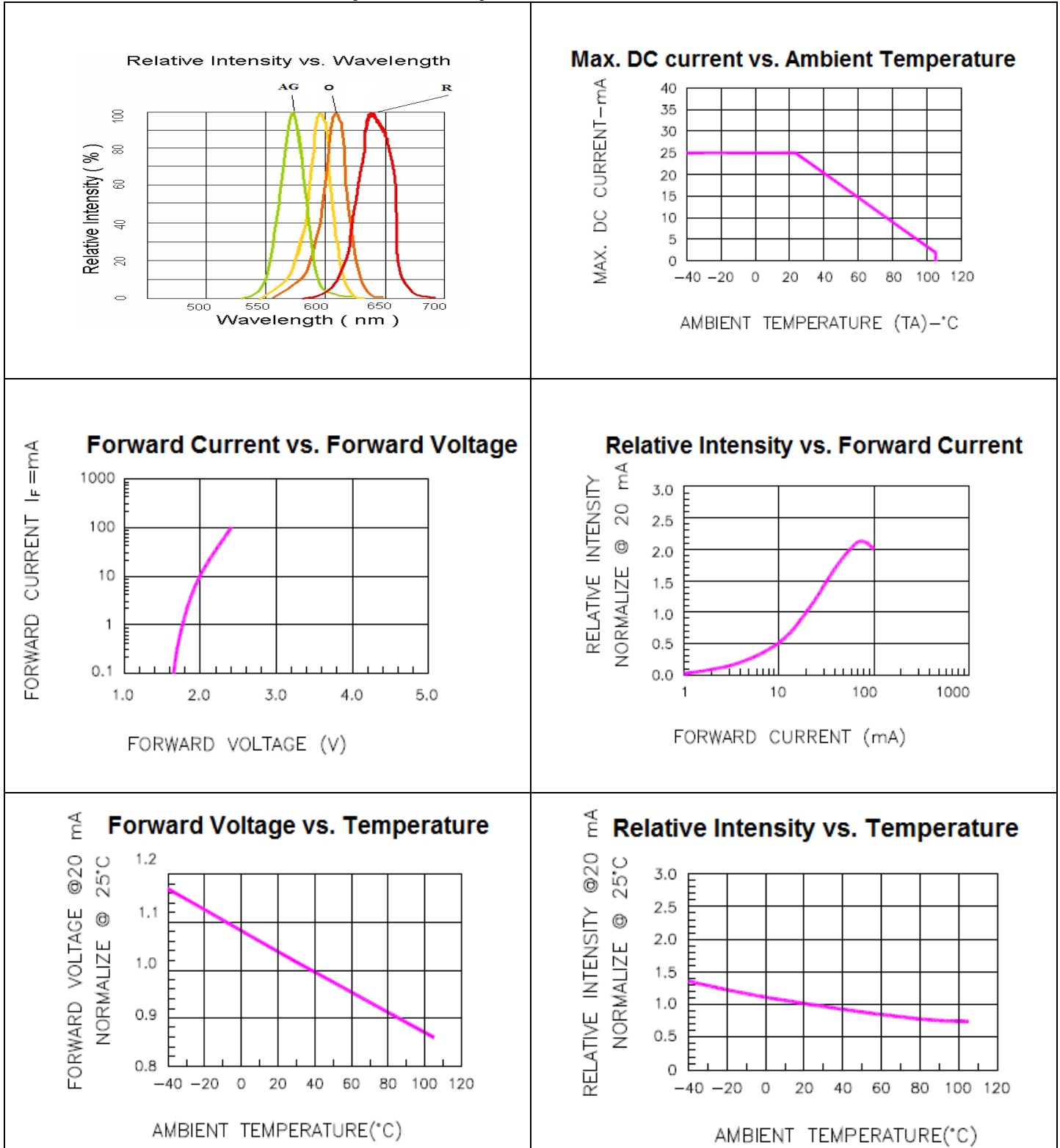
**IR Reflow for no more than 5 sec @ 260 °C

Pin Configuration

CC	CA



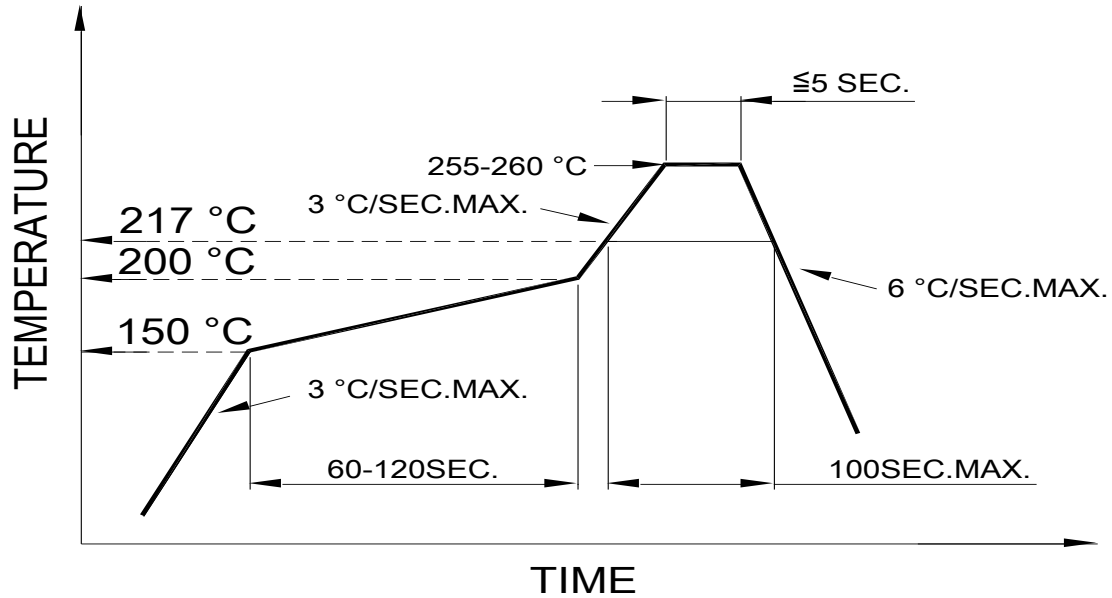
Characteristic Curves: (AlInGaP)



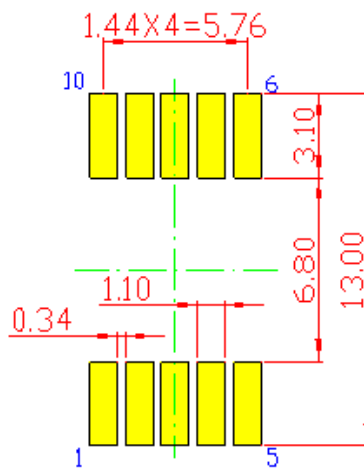
Solder Profile & Footprint

Lead-free Solder Profile:

Pb free reflow soldering Profile



Recommended Soldering Pattern

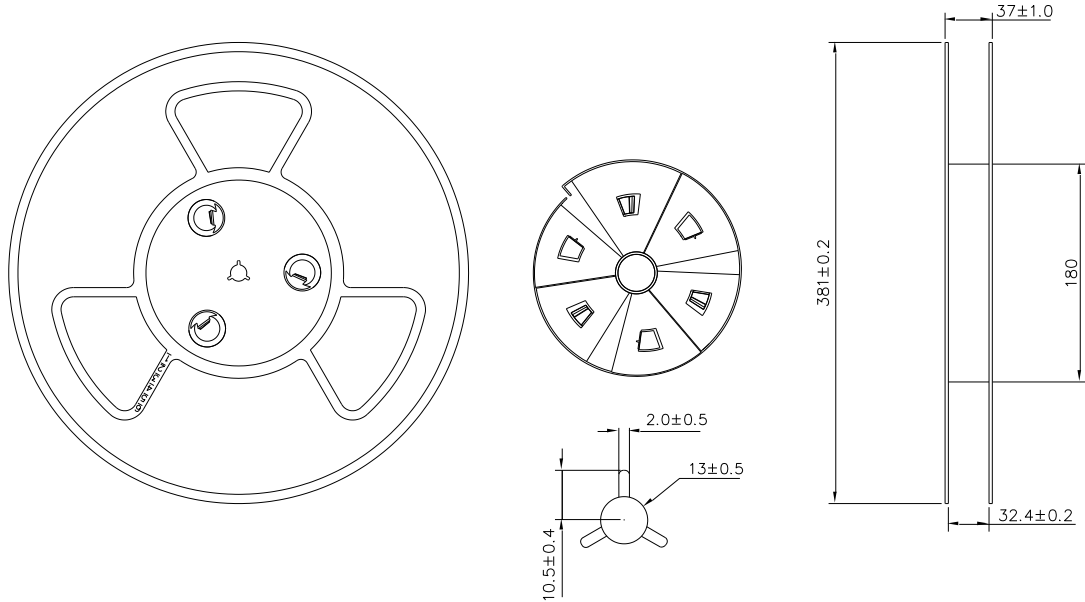


Units: mm / tolerance = +/-0.25mm

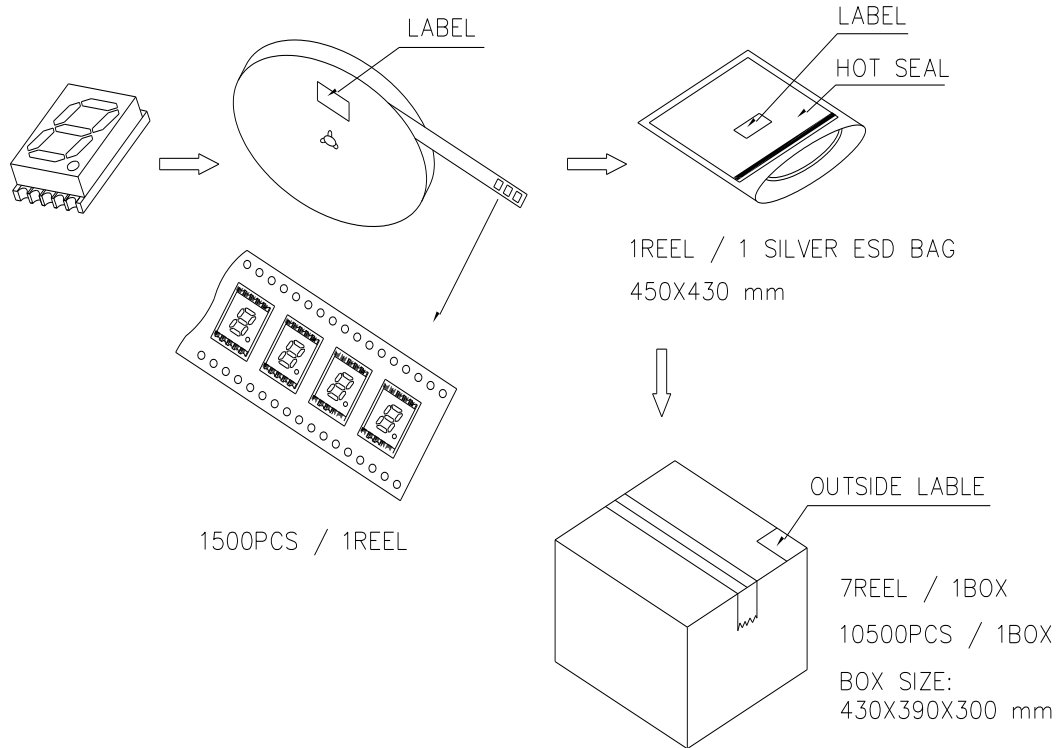
Product: QBSS20ZXX	Date: July 31, 2015	Page 7 of 10
	Version# 1.2	

Packing & Labeling

Reel Dimension:



Packing Method:



Product: QBSS20ZXX	Date: July 31, 2015	Page 8 of 10
	Version# 1.2	

Ordering Information

Product		Orderable Part #		Spec Range	Quantity per Reel
CC	CA	CC	CA		
QBSS201R	QBSS200R	QBSS201R	QBSS200R	Iv=20mcd typ. @ I _F = 20mA/ λ _D : 625nm typ.	1500
QBSS201AG	QBSS200AG	QBSS201AG	QBSS200AG	Iv=7mcd Typ. @ I _F = 20mA/ λ _D : 570nm Typ.	1500

Revision History

Description:	Revision #	Revision Date
New Release of QBSS20ZXX	V1.0	03/25/2014
Fix typo on part number	V1.1	04/23/2015
Update packing spec	V1.2	07/31/2015

Disclaimer

QT-BRIGHTEK reserves the right to make changes without further notice to any products herein to improve reliability, function or design. QT-BRIGHTEK does not assume any liability arising out of the application or use of any product or circuit described herein; neither does it convey any license under its patent rights, nor the rights of others.

Life Support Policy

QT-BRIGHTEK's products are not authorized for use as critical components in life support devices or systems without the express written approval of QT-BRIGHTEK. As used herein:

1. Life support devices or systems are devices or systems which, (a) are intended for surgical implant into the body, or (b) support or sustain life, and (c) whose failure to perform when properly used in accordance with instructions for use provided in the labeling, can be reasonably expected to result in a significant injury of the user.
2. A critical component in any component of a life support device or system whose failure to perform can be reasonably expected to cause the failure of the life support device or system, or to affect its safety or effectiveness.