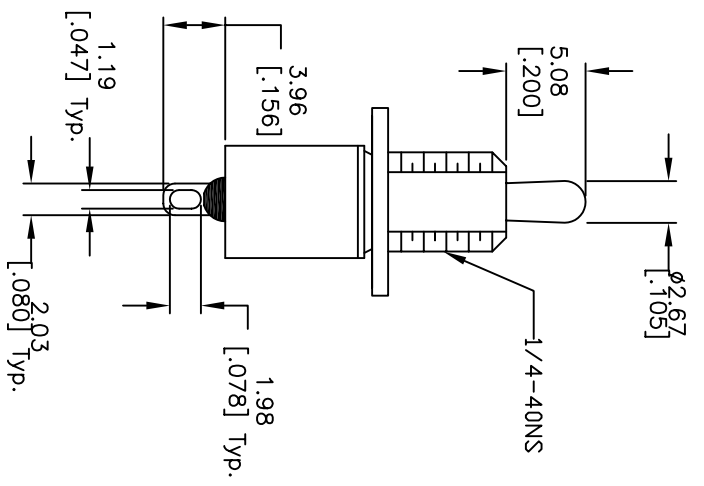
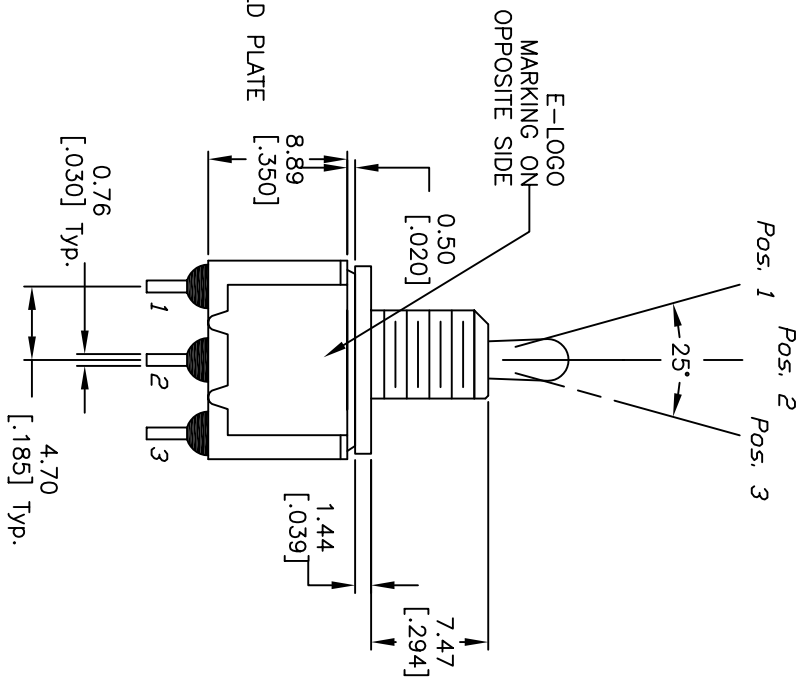
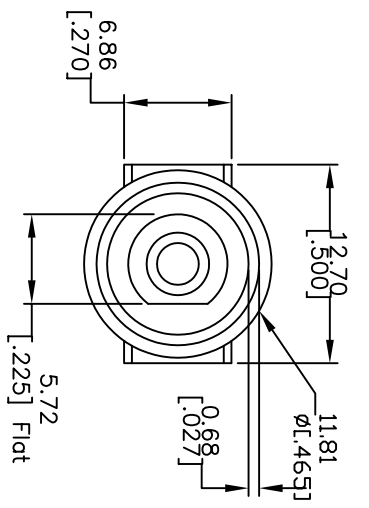


CIRCUIT: SPDT

CONTACT CONFIGURATION

SWITCH FUNCTION		
POS. 1	POS. 2	POS. 3
DN	DN	DN
DN	DN	DN
2-3	DFF	DN
		2-1



- NOTES:
1. ALL DIMENSIONS IN MM [INCH]
  2. GENERAL TOLERANCE: X.X=±0.4  
X.XX=±0.25
  3. TERM. NOS. FOR REF. ONLY
  4. RATING: 0.4 (VA) Max. @20V AC OR DC
  5. FIXED TERM. & MOVING CONTACT: COPPER ALLOY W/GOLD PLATE OVER NICKEL PLATE.
  6. ELECTRICAL LIFE: 40,000 MAKE-AND-BREAK CYCLES AT FULL LOAD.
  7. INSULATION RESISTANCE: 1,000M OHM MIN.
  8. DIELECTRIC STRENGTH: 1,000V RMS @SEA LEVEL.
  9. OPERATING TEMP.: -30°C to +85°C.
  10. ▲ DENOTES CRITICAL PARAMETER.
  11. 2002/95/EC (ROHS) COMPLIANT

C	17391	UPDATED DRAWING	6/18/07	TN
B	15801	DIM FROM 1.02 TO 1.44	2/21/06	PH
A	14215	RELEASED FOR PRODUCTION	8/4/04	AR
REV.	ECN No.	DESCRIPTION	DATE	CHKD

TITLE		SCALE		DATE		DR		DWG		REV	
100SP3T2B9M1RE		2:1		6/18/07		TN		T113005		C	
<p>THE INFORMATION CONTAINED IN THIS DOCUMENT IS PROPRIETARY TO E-SWITCH AND IS NOT TO BE COPIED OR TRANSFERRED</p>											