



40 dB Fixed Attenuator, N Male To N Female Directional Black Aluminum Alloy Body Rated To 1000 Watts Up To 2.5 GHz

TECHNICAL DATA SHEET

PE7423-40

Configuration

Design	Fixed, Directional Attenuator
Connector 1	N Male
Connector 2	N Female
Body Material and Plating	Black Aluminum Alloy

Electrical Specifications * Values at 25°C, sea level

Description	Minimum	Typical	Maximum	Units
Frequency Range	DC		2.5	GHz
Impedance		50		Ohms
Attenuation Value		40		dB
Accuracy Statement		+ / - 1.5 dB		
Input Power			1	KWatts
Peak Power			10	KWatts
VSWR			1.35:1	

Mechanical Specifications

Temperature

Operating Range	-55 to +125 deg C
-----------------	-------------------

Size

Length	14.8 in [375.92 mm]
Width	8.95 in [227.33 mm]
Height	10.55 in [267.97 mm]

Connectors

Description	Connector 1	Connector 2
Type	N Male	N Female
Connector Specification	MIL-STD-348A	MIL-STD-348A
Outer Conductor Material and Plating		Passivated Stainless Steel
Coupling Nut Material and Plating	Passivated Stainless Steel	
Body Material and Plating	Passivated Stainless Steel	Passivated Stainless Steel

Compliance Certifications (visit www.Pasternack.com for current document)

RoHS Compliant

Click the following link (or enter part number in "SEARCH" on website) to obtain additional part information including price, inventory and certifications: [40 dB Fixed Attenuator, N Male To N Female Directional Black Aluminum Alloy Body Rated To 1000 Watts Up To 2.5 GHz PE7423-40](#)





40 dB Fixed Attenuator, N Male To N Female Directional Black Aluminum Alloy Body Rated To 1000 Watts Up To 2.5 GHz

TECHNICAL DATA SHEET

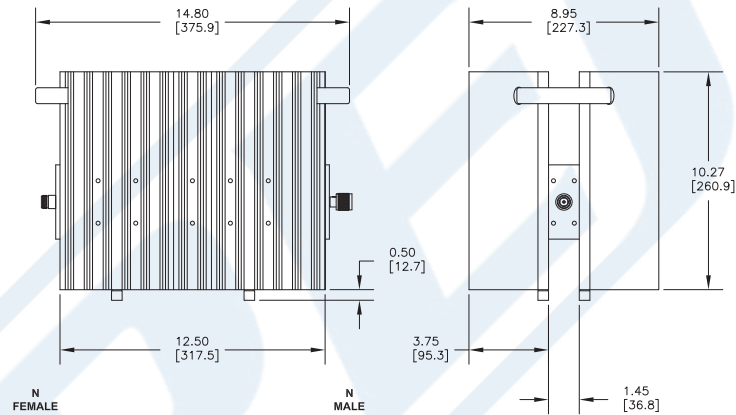
PE7423-40

Plotted and Other Data

Notes:

- Values at 25 °C, sea level

Outline Drawing



40 dB Fixed Attenuator, N Male To N Female Directional Black Aluminum Alloy Body Rated To 1000 Watts Up To 2.5 GHz from Pasternack Enterprises has same day shipment for domestic and International orders. Our RF, microwave and millimeter wave products maintain a 99% availability and are part of the broadest selection in the industry.

Click the following link (or enter part number in "SEARCH" on website) to obtain additional part information including price, inventory and certifications: [40 dB Fixed Attenuator, N Male To N Female Directional Black Aluminum Alloy Body Rated To 1000 Watts Up To 2.5 GHz PE7423-40](http://www.pasternack.com/40db-fixed-n-male-n-female-1000-watts-attenuator-pe7423-40)

URL: <http://www.pasternack.com/40db-fixed-n-male-n-female-1000-watts-attenuator-pe7423-40-p.aspx>