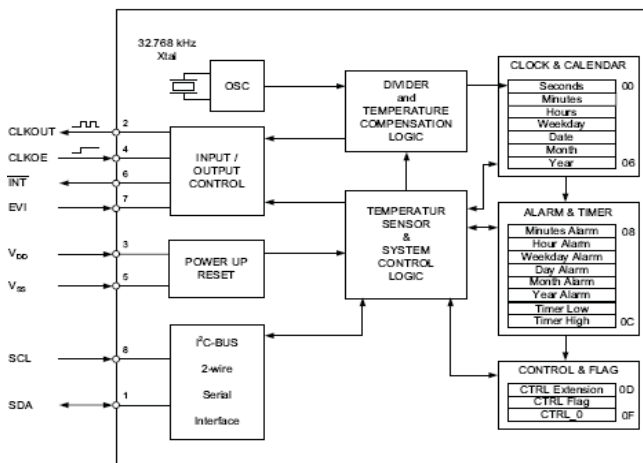


PAD	CONNECTION	PAD	CONNECTION
1	Serial data (SDA)	5	Ground (VSS)
2	Frequency output (CLKOUT)	6	Interrupt output (INT)
3	Supply voltage (VDD)	7	Event input (EVI)
4	Clock output enable (CLKOE)	8	Serial clock input (SCL)

## Features

- ▶ High accuracy, ultra low power
- ▶ Built-in crystal for adjustment-free operation
- ▶ Time stamp event input function
- ▶ I<sup>2</sup>C-Bus interface (up to 400kHz)
- ▶ Programmable alarm, timer and interrupt

## Block Diagram



## Specifications

Parameters	Product	Option Codes
	RV8803C7	
<b>Frequencies (selectable):</b> 32.768kHz, 1024Hz, 1Hz	■	
<b>Frequency tolerance (1Hz):</b> ±3ppm max, -40+85°C	■	
<b>Frequency tolerance (32.768kHz):</b> ±10ppm typ, ±20ppm max, 25°C	■	
<b>Time accuracy:</b> ±1.5ppm max (0.13s/day), 0+50°C ±3ppm max (0.26s/day), -40+85°C	■ ■	
<b>Turnover temperature (T<sub>0</sub>):</b> +25°C ±5°C	■	
<b>Frequency / temp coefficient:</b> -0.035ppm/°C <sup>2</sup> ±10%	■	
<b>Operating temperature range:</b> -40 to +85°C	■	
<b>Storage temperature range:</b> -55 to +125°C	■	
<b>Supply voltage (V<sub>DD</sub>):</b> 1.5 ~ 5.5V	■	
<b>Supply current:</b> 240/400nA typ/max, V <sub>DD</sub> =3V	■	
<b>Ageing (25°C):</b> ±3ppm max first year	■	
<b>Shock and vibration resistance:</b> ±5ppm, 5,000g, 0.3ms, ½ sine ±5ppm, 20g, 10.0 ~ 2,000Hz	■ ■	
<b>Soldering condition:</b> Reflow, 260°C, 20 sec max	■	

■ Standard. □ Optional - Please specify required code(s) when ordering

## Ordering Information

Product code

ie: **RV8803C7**

Option code X (eg RV8803C7/X) denotes a custom spec.

- ◆ Available on T&R - 1k or 3k pcs per reel.
- ◆ Evaluation / development board & manual available on request
- ◆ The I<sup>2</sup>C-Bus is a trademark of Philips Electronics NV

## Description

The RV8803C7 is an high accuracy, ultra low power Real-Time-Clock module with embedded 32.768 kHz Crystal. High accuracy, high stability is achieved by factory calibrated, temperature compensated DTCXO giving time-accuracy of ± 3.0 ppm across the temperature range from -40°C to +85°C. Standard Clock & Calendar function tracks second, minute, hour in 24-hour format, year and leap-year flags. Beside standard RTC functions like Timer & Alarm, it includes integrated Temperature Sensor, Time Stamp Event Input and User RAM and offers I2C-bus (2-wire Interface). RV-8803-C7 is the smallest sized and consumes the lowest current of all temperature compensated RTC modules.



- ◆ Manufactured by Micro Crystal
- ◆ Stocked & distributed by Golledge