

**TOSHIBA**

TOSHIBA Original CMOS 16-Bit Microcontroller

**TLCS-900/L1 Series**

**TMP91CY22IFG**

Not Recommended  
for New Design

**TOSHIBA CORPORATION**

## Preface

Thank you very much for making use of Toshiba microcomputer LSIs.  
Before use this LSI, refer the section, "Points of Note and Restrictions".  
Especially, take care below cautions.

**\*\*CAUTION\*\***

**How to release the HALT mode**

Usually, interrupts can release all halts status. However, the interrupts = ( $\overline{\text{NMI}}$ , INT0 to 4, INTRTC) which can release the HALT mode may not be able to do so if they are input during the period CPU is shifting to the HALT mode (for about 5 clocks of  $f_{\text{FPH}}$ ) with IDLE1 or STOP mode (IDLE2 is not applicable to this case). (In this case, an interrupt request is kept on hold internally.)

If another interrupt is generated after it has shifted to HALT mode completely, halt status can be released without difficulty. The priority of this interrupt is compare with that of the interrupt kept on hold internally, and the interrupt with higher priority is handled first followed by the other interrupt.

Not Recommended  
for New

## CMOS 16-Bit Microcontrollers TMP91CY22IFG

### 1. Outline and Features

TMP91CY22I is a high-speed 16-bit microcontroller designed for the control of various mid- to large-scale equipment.

TMP91CY22I comes in a 100-pin flat package.

Listed below are the features.

- (1) High-speed 16-bit CPU (900/L1 CPU)
  - Instruction mnemonics are upward-compatible with TLCS-90/900
  - 16 Mbytes of linear address space
  - General-purpose registers and register banks
  - 16-bit multiplication and division instructions; bit transfer and arithmetic instructions
  - Micro DMA: 4-channels (593 ns/2 bytes at 27 MHz)
- (2) Minimum instruction execution time: 148 ns (at 27 MHz)
- (3) Built-in RAM: 16 Kbytes  
Built-in ROM: 256 Kbytes

#### RESTRICTIONS ON PRODUCT USE

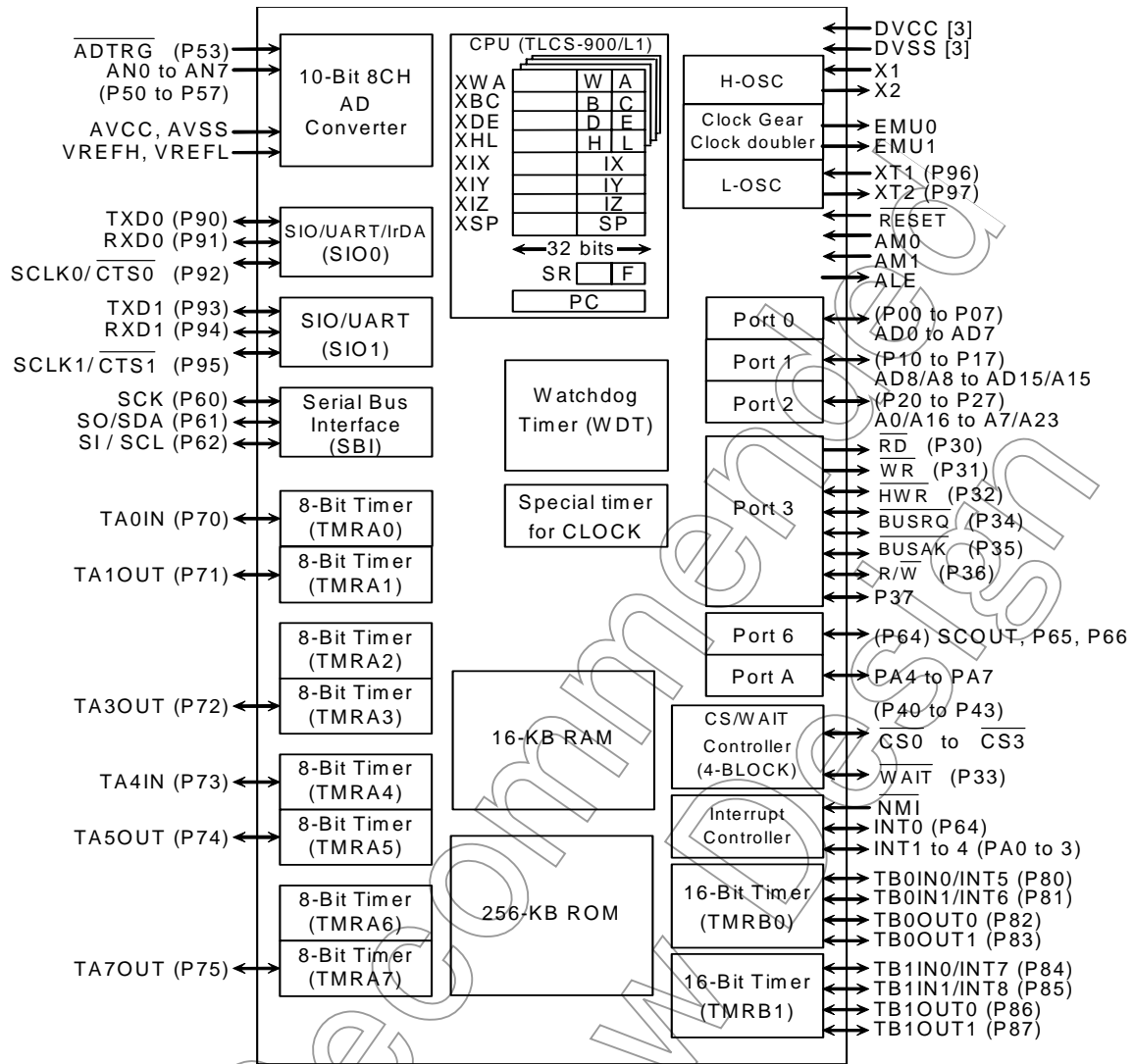
030619EBP

- The information contained herein is subject to change without notice.
- The information contained herein is presented only as a guide for the applications of our products. No responsibility is assumed by TOSHIBA for any infringements of patents or other rights of the third parties which may result from its use. No license is granted by implication or otherwise under any patent or patent rights of TOSHIBA or others.
- TOSHIBA is continually working to improve the quality and reliability of its products. Nevertheless, semiconductor devices in general can malfunction or fail due to their inherent electrical sensitivity and vulnerability to physical stress. It is the responsibility of the buyer, when utilizing TOSHIBA products, to comply with the standards of safety in making a safe design for the entire system, and to avoid situations in which a malfunction or failure of such TOSHIBA products could cause loss of human life, bodily injury or damage to property.  
In developing your designs, please ensure that TOSHIBA products are used within specified operating ranges as set forth in the most recent TOSHIBA products specifications. Also, please keep in mind the precautions and conditions set forth in the "Handling Guide for Semiconductor Devices," or "TOSHIBA Semiconductor Reliability Handbook" etc..
- The TOSHIBA products listed in this document are intended for usage in general electronics applications (computer, personal equipment, office equipment, measuring equipment, industrial robotics, domestic appliances, etc.). These TOSHIBA products are neither intended nor warranted for usage in equipment that requires extraordinarily high quality and/or reliability or a malfunction or failure of which may cause loss of human life or bodily injury ("Unintended Usage"). Unintended Usage include atomic energy control instruments, airplane or spaceship instruments, transportation instruments, traffic signal instruments, combustion control instruments, medical instruments, all types of safety devices, etc.. Unintended Usage of TOSHIBA products listed in this document shall be made at the customer's own risk.
- The products described in this document are subject to the foreign exchange and foreign trade laws.
- TOSHIBA products should not be embedded to the downstream products which are prohibited to be produced and sold, under any law and regulations.
- For a discussion of how the reliability of microcontrollers can be predicted, please refer to Section 1.3 of the chapter entitled Quality and Reliability Assurance/Handling Precautions.



Purchase of TOSHIBA I<sup>2</sup>C components conveys a license under the Philips I<sup>2</sup>C Patent Rights to use these components in an I<sup>2</sup>C system, provided that the system conforms to the I<sup>2</sup>C Standard Specification as defined by Philips.

- (4) External memory expansion
  - Expandable up to 16 Mbytes (shared program/data area)
  - Can simultaneously support 8-/16-bit width external data bus  
... Dynamic data bus sizing
- (5) 8-bit timers: 8 channels
- (6) 16-bit timer/event counter: 2 channels
- (7) General-purpose serial interface: 2 channels  
UART/ Synchronous mode: 2 channels  
IrDA ver1.0 (115.2 kbps) supported
- (8) Serial bus interface: 1 channel
  - I<sup>2</sup>C bus mode/clock synchronous Select mode
- (9) 10-bit AD converter: 8 channels
- (10) Watchdog timer
- (11) Special timer for CLOCK
- (12) Chip Select/Wait controller: 4 channels
- (13) Interrupts: 45 interrupts
  - 9 CPU interrupts: Software interrupt instruction and illegal instruction
  - 26 internal interrupts: ]
  - 10 external interrupts: ] Seven selectable priority levels
- (14) Input/Output ports: 81 pins
- (15) Standby function  
Three HALT modes: IDLE2 (programmable), IDLE1, STOP
- (16) Triple-clock controller
  - Clock Doubler (DEM)
  - Clock Gear (fc to fc/16)
  - SLOW mode (fs = 32.768 kHz)
- (17) Operating voltage
  - V<sub>CC</sub> = 2.7 V to 3.6 V (fc max = 27 MHz)
  - V<sub>CC</sub> = 1.8 V to 3.6 V (fc max = 10 MHz)
- (18) Package
  - 100-pin QFP: P-LQFP100-1414-0.50F



( ): Initial function after reset

Figure 1.1 TMP91CY22I Block Diagram

Not for New

## 2. Pin Assignment and Pin Functions

The assignment of input/output pins for the TMP91CY22I, their names and functions are as follows:

### 2.1 Pin Assignment Diagram

Figure 2.1.1 shows the pin assignment of the TMP91CY22I.

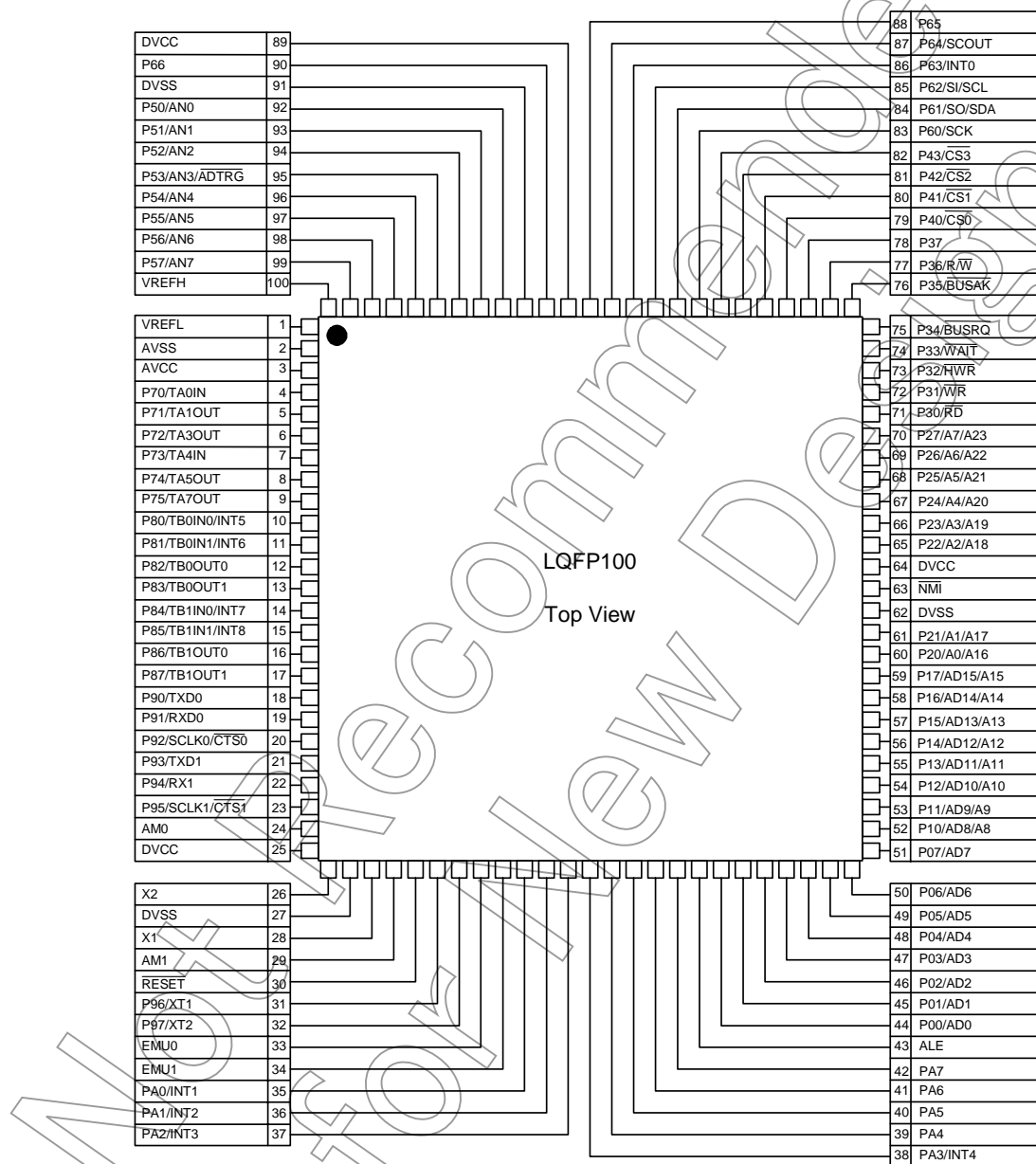


Figure 2.1.1 Pin assignment diagram (100-pin LQFP)

## 2.2 Pin Names and Functions

The names of the input/output pins and their functions are described below.

Table 2.2.1 Pin names and functions.

Table 2.2.1 Pin names and functions (1/4)

Pin Name	Number of Pins	I/O	Functions
P00 to P07 AD0 to AD7	8	I/O Tri-state	Port 0: I/O port that allows I/O to be selected at the bit level Address and data (lower): Bits 0 to 7 of address and data bus
P10 to P17 AD8 to AD15 A8 to A15	8	I/O Tri-state Output	Port 1: I/O port that allows I/O to be selected at the bit level Address and data (upper): Bits 8 to 15 for address and data bus Address: Bits 8 to 15 of address bus
P20 to P27  A0 to A7 A16 to A23	8	I/O  Output Output	Port 2: I/O port that allows I/O to be selected at the bit level  Address: Bits 0 to 7 of address bus Address: Bits 16 to 23 of address bus
P30 $\overline{RD}$	1	Output Output	Port 30: Output port Read: Strobe signal for reading external memory RD is outputted by setting P3 <P30> = 0 and P3FC <P30F> = 1, when reading internal area.
P31 $\overline{WR}$	1	Output Output	Port 31: Output port Write: Strobe signal for writing data to pins AD0 to AD7
P32 HWR	1	I/O Output	Port 32: I/O port (with pull-up resistor) High Write: Strobe signal for writing data to pins AD8 to AD15
P33 $\overline{WAIT}$	1	I/O Input	Port 33: I/O port (with pull-up resistor) Wait: Pin used to request CPU bus wait ((1 + N) wait mode)
P34 $\overline{BUSRQ}$	1	I/O Input	Port 34: I/O port (with pull-up resistor) Bus Request: Signal used to request that set AD0~15, A0~23, $\overline{RD}$ , $\overline{WR}$ , HWR, R/W, CS0~CS3 pins to High impedance. (For external DMAC)
P35 $\overline{BUSAK}$	1	I/O Output	Port 35: I/O port (with pull-up resistor) Bus Acknowledge: Signal used to acknowledge that AD0~15, A0~23, $\overline{RD}$ , $\overline{WR}$ , HWR, R/W, CS0~CS3 pins are set to High impedance by receiving $\overline{BUSRQ}$ . (For external DMAC)
P36 R/W	1	I/O Output	Port 36: I/O port (with pull-up resistor) Read/Write: 1 represents Read or Dummy cycle; 0 represents Write cycle.
P37	1	I/O	Port 37: I/O port (with pull-up resistor)
P40 $\overline{CS0}$	1	I/O Output	Port 40: I/O port (with pull-up resistor) Chip Select 0: Outputs 0 when address is within specified address area
P41 $\overline{CS1}$	1	I/O Output	Port 41: I/O port (with pull-up resistor) Chip Select 1: Outputs 0 if address is within specified address area
P42 $\overline{CS2}$	1	I/O Output	Port 42: I/O port (with pull-up resistor) Chip Select 2: Outputs 0 if address is within specified address area
P43 $\overline{CS3}$	1	I/O Output	Port 43: I/O port (with pull-up resistor) Chip Select 3: Outputs 0 if address is within specified address area

Table 2.2.1 Pin names and functions (2/4)

Pin Name	Number of Pins	I/O	Functions
P50 to P57 AN0 to AN7 ADTRG	8	Input Input Input	Port 5: Pin used to input port Analog input: Pin used to input to AD converter AD Trigger: Signal used to request start of AD converter (Shared with P53)
P60 SCK	1	I/O I/O	Port 60: I/O port Serial bus interface clock in SIO Mode
P61 SO SDA	1	I/O Output I/O	Port 61: I/O port Serial bus interface output data in SIO Mode Serial bus interface data in I <sup>2</sup> C bus Mode. (programmable open-drain)
P62 SI SCL	1	I/O Input I/O	Port 62: I/O port Serial bus interface input data in SIO Mode Serial bus interface clock in I <sup>2</sup> C bus Mode. (programmable open-drain)
P63 INT0	1	I/O Input	Port 63: I/O port Interrupt Request Pin 0: Interrupt request pin with programmable level / rising edge / falling edge
P64 SCOUT	1	I/O Output	Port 64: I/O port System Clock Output: Outputs f <sub>PPH</sub> or fs clock.
P65	1	I/O	Port 65: I/O port
P66	1	I/O	Port 66: I/O port
P70 TA0IN	1	I/O Input	Port 70: I/O port 8-bit timer 0 input: Timer A0 Input
P71 TA1OUT	1	I/O Output	Port 71: I/O port 8-bit timer 1 output: Timer A1 Output
P72 TA3OUT	1	I/O Output	Port 72: I/O port 8-bit timer 3 output: Timer A3 Output
P73 TA4IN	1	I/O Input	Port 73: I/O port 8-bit timer 4 input: Timer A4 Input
P74 TA5OUT	1	I/O Output	Port 74: I/O port 8-bit timer 5 output: Timer A5 Output
P75 TA7OUT	1	I/O Output	Port 75: I/O port 8-bit timer 7 output: Timer A7 Output
P80 TB0IN0 INT5	1	I/O Input Input	Port 80: I/O port 16-bit timer 0 input0: Timer B0 count/capture trigger Input 0 Interrupt Request Pin 5: Interrupt request pin with programmable rising edge / falling edge.
P81 TB0IN1 INT6	1	I/O Input Input	Port 81: I/O port 16-bit timer 0 input1: Timer B0 count/capture trigger Input 1 Interrupt Request Pin 6: Interrupt request on rising edge
P82 TB0OUT0	1	I/O Output	Port 82: I/O port 16-bit timer 0 output 0: Timer B0 Output 0
P83 TB0OUT1	1	I/O Output	Port 83: I/O port 16-bit timer 0 output 1: Timer B0 Output 1
P84 TB1IN0 INT7	1	I/O Input Input	Port 84: I/O port 16-bit timer 1 input0: Timer B1 count/capture trigger Input 0 Interrupt Request Pin 7: Interrupt request pin with programmable rising edge / falling edge.
P85 TB1IN1 INT8	1	I/O Input Input	Port 85: I/O port 16-bit timer 1 input 1: Timer B1 count/capture trigger Input 1 Interrupt Request Pin 8: Interrupt request on rising edge
P86 TB1OUT0	1	I/O Output	Port 86: I/O port 16-bit timer 1 output 0: Timer B1 Output 0
P87 TB1OUT1	1	I/O Output	Port 87: I/O port 16-bit timer 1 output 1: Timer B1 Output 1



Table 2.2.1 Pin names and functions (3/4)

Pin Name	Number of Pins	I/O	Functions
P90 TXD0	1	I/O Output	Port 90: I/O port Serial Send Data 0 (programmable open-drain)
P91 RXD0	1	I/O Input	Port 91: I/O port Serial Receive Data 0
P92 SCLK0 $\overline{\text{CTS0}}$	1	I/O I/O Input	Port 92: I/O port Serial Clock I/O 0 Serial Data Send Enable 0 (Clear to Send)
P93 TXD1	1	I/O Output	Port 93: I/O port Serial Send Data 1 (programmable open-drain)
P94 RXD1	1	I/O Input	Port 94: I/O port Serial Receive Data 1
P95 SCLK1 $\overline{\text{CTS1}}$	1	I/O I/O Input	Port 95: I/O port Serial Clock I/O 1 Serial Data Send Enable 1 (Clear to Send)
P96 XT1	1	I/O Input	Port 96: I/O port (open-drain output) Low-frequency oscillator connection pin

Not Recommended for New Design

Table 2.2.1 Pin names and functions (4/4)

Pin Name	Number of Pins	I/O	Functions
P97 XT2	1	I/O Output	Port 97: I/O port (open-drain output) Low-frequency oscillator connection pin
PA0 to PA3 INT1 to INT4	4	I/O Input	Ports A0 to A3: I/O ports Interrupt Request Pins 1 to 4: Interrupt request pins with programmable rising edge / falling edge.
PA4 to PA7	4	I/O	Ports A4 to A7: I/O ports
ALE	1	Output	Address Latch Enable (Can be disabled to reduce noise.)
$\overline{\text{NMI}}$	1	Input	Non-Maskable Interrupt Request Pin: Interrupt request pin with programmable falling edge or both edge.
AM0 to AM1	2	Input	Operation mode: Fixed to AM1 = "1", AM0 = "1".
EMU0/EMU1	1	Output	Set to Open pins
$\overline{\text{RESET}}$	1	Input	Reset: initializes TMP91CY22. (with pull-up resistor)
VREFH	1	Input	Pin for reference voltage input to AD converter (H)
VREFL	1	Input	Pin for reference voltage input to AD converter (L)
AVCC	1		Power supply pin for AD converter
AVSS	1		Power GND pin for AD converter (0 V)
X1/X2	2	I/O	High frequency oscillator connection pins
DVCC	3		Power supply pins (All DVCC pins should be connected with the power supply pin.)
DVSS	3		GND pins (0 V) (All DVSS pins should be connected with the GND (0V) pin.)

Note: An external DMA controller cannot access the device's built-in memory or built-in I/O devices using the  $\overline{\text{BUSRQ}}$  and  $\overline{\text{BUSAK}}$  signal.

### 3. Operation

This device is a version of expanding its internal mask ROM size to 256 Kbytes and RAM size to 16 Kbytes. The configuration and the functionality of this device are the same as those of the TMP91CW12A. For the functions of this device that are not described here, refer to the TMP91CW12A data sheet.

#### 3.1 Memory Map

Figure 3.1.1 is a memory map of the TMP91CY22I.

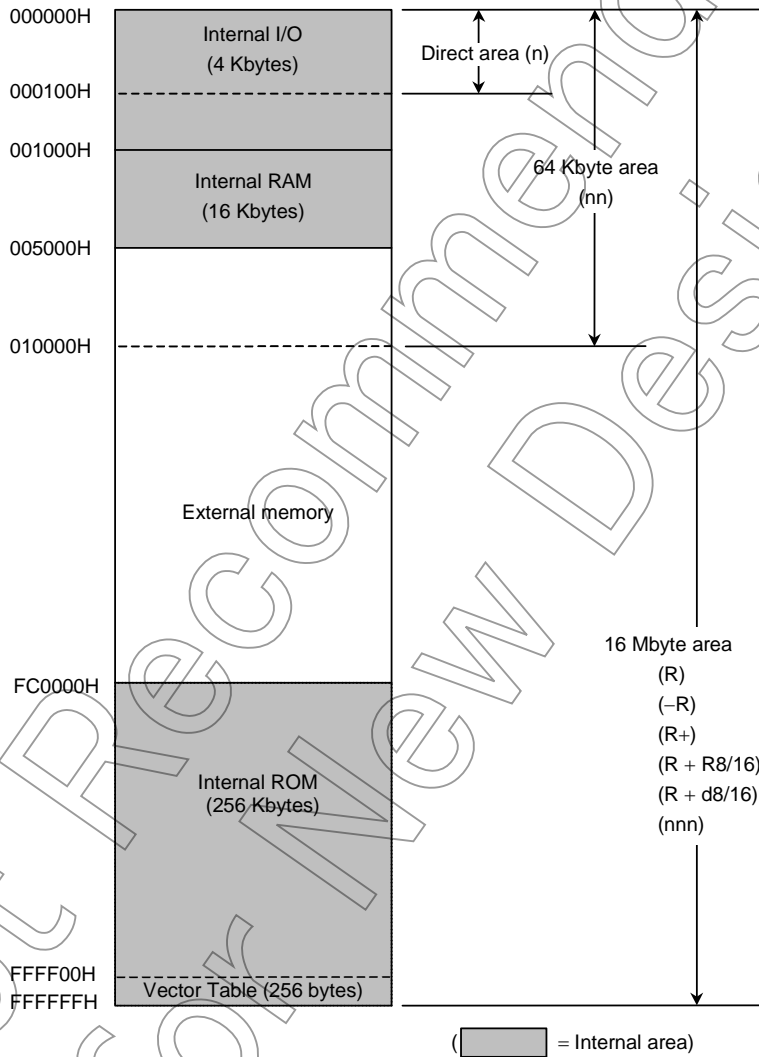


Figure 3.1.1 Memory Map

## 4. Electrical Characteristics

### 4.1 Maximum Ratings

Parameter	Symbol	Rating	Unit
Power Supply Voltage	V <sub>CC</sub>	-0.5 to 4.0	V
Input Voltage	V <sub>IN</sub>	-0.5 to V <sub>CC</sub> + 0.5	V
Output Current	I <sub>OL</sub>	2	mA
Output Current	I <sub>OH</sub>	-2	mA
Output Current (total)	∑I <sub>OL</sub>	80	mA
Output Current (total)	∑I <sub>OH</sub>	-80	mA
Power Dissipation (Ta = 85°C)	PD	600	mW
Soldering Temperature (10 s)	TSOLDER	260	°C
Storage Temperature	TSTG	-65 to 150	°C
Operating Temperature	TOPR	-40 to 85	°C

Note: The maximum ratings are rated values which must not be exceeded during operation, even for an instant. Any one of the ratings must not be exceeded. If any maximum rating is exceeded, a device may break down or its performance may be degraded, causing it to catch fire or explode resulting in injury to the user. Thus, when designing products which include this device, ensure that no maximum rating value will ever be exceeded.

Point of note about solderability of lead free products (attach "G" to package name)

Test parameter	Test condition	Note
Solderability	(1) Use of Sn-63Pb solder Bath Solder bath temperature =230°C, Dipping time = 5 seconds The number of times = one, Use of R-type flux	Pass: solderability rate until forming ≥ 95%
	(2) Use of Sn-3.0Ag-0.5Cu solder bath Solder bath temperature =245°C, Dipping time = 5 seconds The number of times = one, Use of R-type flux (use of lead free)	

## 4.2 DC Characteristics (1/2)

Parameter	Symbol	Condition		Min	Typ. (Note)	Max	Unit		
Power Supply Voltage ( $V_{CC} = DV_{CC}$ ) ( $V_{SS} = DV_{SS} = 0\text{ V}$ )	$V_{CC}$	$f_c = 4\text{ to }27\text{ MHz}$	$f_s = 30\text{ to }34\text{ kHz}$	2.7		3.6	V		
		$f_c = 2\text{ to }10\text{ MHz}$		1.8					
Input Low Voltage	P00 to P17 (AD0 to 15)	$V_{IL}$	$V_{CC} \geq 2.7\text{ V}$			0.6	V		
			$V_{CC} < 2.7\text{ V}$			$0.2V_{CC}$			
	P20 to PA7 (except P63)	$V_{IL1}$	$V_{CC} \geq 2.7\text{ V}$			$0.3V_{CC}$			
			$V_{CC} < 2.7\text{ V}$			$0.2V_{CC}$			
	RESET, NMI, P63 (INT0)	$V_{IL2}$	$V_{CC} \geq 2.7\text{ V}$		-0.3	$0.25V_{CC}$			
			$V_{CC} < 2.7\text{ V}$			$0.15V_{CC}$			
	AM0, 1	$V_{IL3}$	$V_{CC} \geq 2.7\text{ V}$			0.3			
			$V_{CC} < 2.7\text{ V}$			0.3			
	X1	$V_{IL4}$	$V_{CC} \geq 2.7\text{ V}$			$0.2V_{CC}$			
			$V_{CC} < 2.7\text{ V}$			$0.1V_{CC}$			
	Input High Voltage	P00 to P17 (AD0 to AD15)	$V_{IH}$	$V_{CC} \geq 2.7\text{ V}$		2.0		$V_{CC} + 0.3$	
				$V_{CC} < 2.7\text{ V}$					$0.7V_{CC}$
P20 to PA7 (except P63)		$V_{IH1}$	$V_{CC} \geq 2.7\text{ V}$			$0.7V_{CC}$			
			$V_{CC} < 2.7\text{ V}$			$0.8V_{CC}$			
RESET, NMI, P63 (INT0)		$V_{IH2}$	$V_{CC} \geq 2.7\text{ V}$			$0.75V_{CC}$			
			$V_{CC} < 2.7\text{ V}$			$0.85V_{CC}$			
AM0, 1		$V_{IH3}$	$V_{CC} \geq 2.7\text{ V}$		$V_{CC} - 0.3$				
			$V_{CC} < 2.7\text{ V}$			$V_{CC} - 0.3$			
X1		$V_{IH4}$	$V_{CC} \geq 2.7\text{ V}$			$0.8V_{CC}$			
			$V_{CC} < 2.7\text{ V}$			$0.9V_{CC}$			
Output Low Voltage		$V_{OL}$	$I_{OL} = 1.6\text{ mA}$	$V_{CC} \geq 2.7\text{ V}$			0.45		V
			$I_{OL} = 0.4\text{ mA}$	$V_{CC} < 2.7\text{ V}$			$0.15V_{CC}$		
Output High Voltage	$V_{OH}$	$I_{OH} = -400\text{ }\mu\text{A}$	$V_{CC} \geq 2.7\text{ V}$	2.4					
		$I_{OH} = -200\text{ }\mu\text{A}$	$V_{CC} < 2.7\text{ V}$	$0.8V_{CC}$					

Note: Typical values are for when  $T_a = 25^\circ\text{C}$  and  $V_{CC} = 3.0\text{ V}$  unless otherwise noted.

## 4.2 DC Characteristics (2/2)

Parameter	Symbol	Condition	Min	Typ. (Note 1)	Max	Unit	
Input Leakage Current	ILI	$0.0 \leq V_{IN} \leq V_{CC}$		0.02	$\pm 5$	$\mu\text{A}$	
Output Leakage Current	ILO	$0.2 \leq V_{IN} \leq V_{CC} - 0.2$		0.05	$\pm 10$		
Power Down Voltage (at STOP, RAM back-up)	VSTOP	$V_{IL2} = 0.2 V_{CC}$ , $V_{IH2} = 0.8 V_{CC}$	1.8		3.6	V	
$\overline{\text{RESET}}$ Pull-up Resistor	RRST	$V_{CC} = 3 V \pm 10\%$	100		400	$k\Omega$	
		$V_{CC} = 2 V \pm 10\%$	200		1000		
Pin Capacitance	CIO	$f_c = 1 \text{ MHz}$			10	pF	
Schmitt Width $\overline{\text{RESET}}$ , $\overline{\text{NMI}}$ , INT0	VTH	$V_{CC} \geq 2.7 V$	0.4	1.0		V	
		$V_{CC} < 2.7 V$	0.3	0.8			
Programmable Pull-up Resistor	RKH	$V_{CC} = 3 V \pm 10\%$	100		400	$k\Omega$	
		$V_{CC} = 2 V \pm 10\%$	200		1000		
NORMAL (Note 2)	Icc	$V_{CC} = 3 V \pm 10\%$ $f_c = 27 \text{ MHz}$		10.0	13.0	mA	
IDLE2				2.5	3.5		
IDLE1				1.0	1.8		
NORMAL (Note 2)		$V_{CC} = 2 V \pm 10\%$ $f_c = 10 \text{ MHz}$ (Typ.: $V_{CC} = 2.0 V$ )		1.7	2.5	mA	
IDLE2				0.6	0.9		
IDLE1				0.25	0.4		
SLOW (Note 2)		$V_{CC} = 3 V \pm 10\%$ $f_s = 32.768 \text{ kHz}$		11.6	30	$\mu\text{A}$	
IDLE2				5.2	19		
IDLE1			$T_a \leq 70^\circ\text{C}$		3.0		8
			$T_a \leq 85^\circ\text{C}$			15	
SLOW (Note 2)		$V_{CC} = 2 V \pm 10\%$ $f_s = 32.768 \text{ kHz}$ (Typ.: $V_{CC} = 2.0 V$ )		7.7	20	$\mu\text{A}$	
IDLE2				3.5	13		
IDLE1			2.0	10			
STOP	$V_{CC} = 1.8 \text{ to } 3.3V$			0.1	10		

Note 1: Typical values are for when  $T_a = 25^\circ\text{C}$  and  $V_{CC} = 3.0 V$  unless otherwise noted.

Note 2: Icc measurement conditions (NORMAL, SLOW):

All functions are operating; output pins are open and input pins are fixed.

Not Ready for New

## 4.3 AC Characteristics

(1)  $V_{CC} = 3.0 \text{ V} \pm 10\%$ 

No.	Parameter	Symbol	Variable		$f_{FPH} = 27 \text{ MHz}$		Unit
			Min	Max	Min	Max	
1	$f_{FPH}$ Period (= x)	$t_{FPH}$	37.0	31250	37.0		ns
2	A0 to A15 Valid $\rightarrow$ ALE Fall	$t_{AL}$	$0.5x - 14$		4		ns
3	ALE Fall $\rightarrow$ A0 to A15 Hold	$t_{LA}$	$0.5x - 16$		2		ns
4	ALE High Width	$t_{LL}$	$x - 20$		17		ns
5	ALE Fall $\rightarrow$ $\overline{RD}$ / $\overline{WR}$ Fall	$t_{LC}$	$0.5x - 14$		4		ns
6	$\overline{RD}$ Rise $\rightarrow$ ALE Rise	$t_{CLR}$	$0.5x - 10$		8		ns
7	$\overline{WR}$ Rise $\rightarrow$ ALE Rise	$t_{CLW}$	$x - 10$		27		ns
8	A0 to A15 Valid $\rightarrow$ $\overline{RD}$ / $\overline{WR}$ Fall	$t_{ACL}$	$x - 23$		14		ns
9	A0 to A23 Valid $\rightarrow$ $\overline{RD}$ / $\overline{WR}$ Fall	$t_{ACH}$	$1.5x - 26$		29		ns
10	$\overline{RD}$ Rise $\rightarrow$ A0 to A23 Hold	$t_{CAR}$	$0.5x - 13$		5		ns
11	$\overline{WR}$ Rise $\rightarrow$ A0 to A23 Hold	$t_{CAW}$	$x - 13$		24		ns
12	A0 to A15 Valid $\rightarrow$ D0 to D15 Input	$t_{ADL}$		$3.0x - 38$		73	ns
13	A0 to A23 Valid $\rightarrow$ D0 to D15 Input	$t_{ADH}$		$3.5x - 41$		88	ns
14	$\overline{RD}$ Fall $\rightarrow$ D0 to D15 Input	$t_{RD}$		$2.0x - 30$		44	ns
15	$\overline{RD}$ Low Width	$t_{RR}$	$2.0x - 15$		59		ns
16	$\overline{RD}$ Rise $\rightarrow$ D0 to A15 Hold	$t_{HR}$	0		0		ns
17	$\overline{RD}$ Rise $\rightarrow$ A0 to A15 Output	$t_{RAE}$	$x - 15$		22		ns
18	$\overline{WR}$ Low Width	$t_{WW}$	$1.5x - 15$		40		ns
19	D0 to D15 Valid $\rightarrow$ $\overline{WR}$ Rise	$t_{DW}$	$1.5x - 35$		20		ns
20	$\overline{WR}$ Rise $\rightarrow$ D0 to D15 Hold	$t_{WD}$	$x - 25$		12		ns
21	A0 to A23 Valid $\rightarrow$ $\overline{WAIT}$ Input	$t_{AWH}$		$3.5x - 60$		69	ns
22	A0 to A15 Valid $\rightarrow$ $\overline{WAIT}$ Input	$t_{AWL}$		$3.0x - 50$		61	ns
23	$\overline{RD}$ / $\overline{WR}$ Fall $\rightarrow$ $\overline{WAIT}$ Hold	$t_{CW}$	$2.0x + 0$		74		ns
24	A0 to A23 Valid $\rightarrow$ Port Input	$t_{APH}$		$3.5x - 89$		40	ns
25	A0 to A23 Valid $\rightarrow$ Port Hold	$t_{APH2}$	$3.5x$		129		ns
26	A0 to A23 Valid $\rightarrow$ Port Valid	$t_{AP}$		$3.5x + 80$		209	ns

## AC Measuring Conditions

- Output Level: High = 0.7 Vcc, Low = 0.3 Vcc, CL = 50 pF
- Input Level: High = 0.9 Vcc, Low = 0.1 Vcc

Note: "x" used in an expression shows a frequency for the clock  $f_{FPH}$  selected by SYSCR1<SYSCK>.

The value of "x" changes according to whether a clock gear or a low-speed oscillator is selected.

An example value is calculated for fc, with gear=1/fc (SYSCR1<SYSCK,GEAR2 to 0> = 0000).

(2)  $V_{CC} = 2.0 \text{ V} \pm 10\%$ 

No.	Parameter	Symbol	Variable		$f_{FPH} = 10 \text{ M Hz}$		Unit
			Min	Max	Min	Max	
1	$f_{FPH}$ Period (= x)	$t_{FPH}$	100	31250	100		ns
2	A0 to A15 → ALE Fall	$t_{AL}$	$0.5x - 28$		22		ns
3	ALE Fall → A0 to A15 Hold	$t_{LA}$	$0.5x - 35$		15		ns
4	ALE High Width	$t_{LL}$	$x - 40$		60		ns
5	ALE Fall → $\overline{RD}/\overline{WR}$ Fall	$t_{LC}$	$0.5x - 28$		22		ns
6	$\overline{RD}$ Rise → ALE Rise	$t_{CLR}$	$0.5x - 20$		30		ns
7	$\overline{WR}$ Rise → ALE Rise	$t_{ACW}$	$x - 20$		80		ns
8	A0 to A15 Valid → $\overline{RD}/\overline{WR}$ Fall	$t_{ACL}$	$x - 75$		25		ns
9	A0 to A23 Valid → $\overline{RD}/\overline{WR}$ Fall	$T_{ACH}$	$1.5x - 70$		80		ns
10	$\overline{RD}$ Rise → A0 to A23 Hold	$t_{CAR}$	$0.5x - 30$		20		ns
11	$\overline{WR}$ Rise → A0 to A23 Hold	$T_{CAW}$	$x - 30$		70		ns
12	A0 to A15 Valid → D0 to D15 Input	$t_{ADL}$		$3.0x - 76$		224	ns
13	A0 to A23 Valid → D0 to D15 Input	$t_{ADH}$		$3.5x - 82$		268	ns
14	$\overline{RD}$ Fall → D0 to D15 Input	$T_{RD}$		$2.0x - 60$		140	ns
15	$\overline{RD}$ Low Width	$t_{RR}$	$2.0x - 30$		170		ns
16	$\overline{RD}$ Rise → D0 to D15 Hold	$t_{HR}$	0		0		ns
17	$\overline{RD}$ Rise → A0 to A15 Output	$t_{RAE}$	$x - 30$		70		ns
18	$\overline{WR}$ Low Width	$t_{WW}$	$1.5x - 30$		120		ns
19	D0 to D15 Valid → $\overline{WR}$ Rise	$t_{DW}$	$1.5x - 70$		80		ns
20	$\overline{WR}$ Rise → D0 to D15 Hold	$t_{WD}$	$x - 50$		50		ns
21	A0 to A23 Valid → $\overline{WAIT}$ Input <sup>1+n</sup> <sub>wait mode</sub>	$t_{AWH}$		$3.5x - 120$		230	ns
22	A0 to A15 Valid → $\overline{WAIT}$ Input <sup>1+n</sup> <sub>wait mode</sub>	$t_{AWL}$		$3.0x - 100$		200	ns
23	$\overline{RD}/\overline{WR}$ Fall → $\overline{WAIT}$ Hold <sup>1+n</sup> <sub>wait mode</sub>	$t_{CW}$	$2.0x + 0$		200		ns
24	A0 to A23 Valid → Port Input	$t_{APH}$		$3.5x - 170$		180	ns
25	A0 to A23 Valid → Port Hold	$t_{APH2}$	$3.5x$		350		ns
26	A0 to A23 Valid → Port Valid	$t_{AP}$		$3.5x + 170$		520	ns

## AC Measuring Conditions

- Output Level: High = 0.7 V<sub>CC</sub>, Low = 0.3 V<sub>CC</sub>, CL = 50 pF
- Input Level: High = 0.9 V<sub>CC</sub>, Low = 0.1 V<sub>CC</sub>

Note: "x" used in an expression shows a frequency for the clock  $f_{FPH}$  selected by  $\text{SYSCR1} \langle \text{SYSCK} \rangle$ .

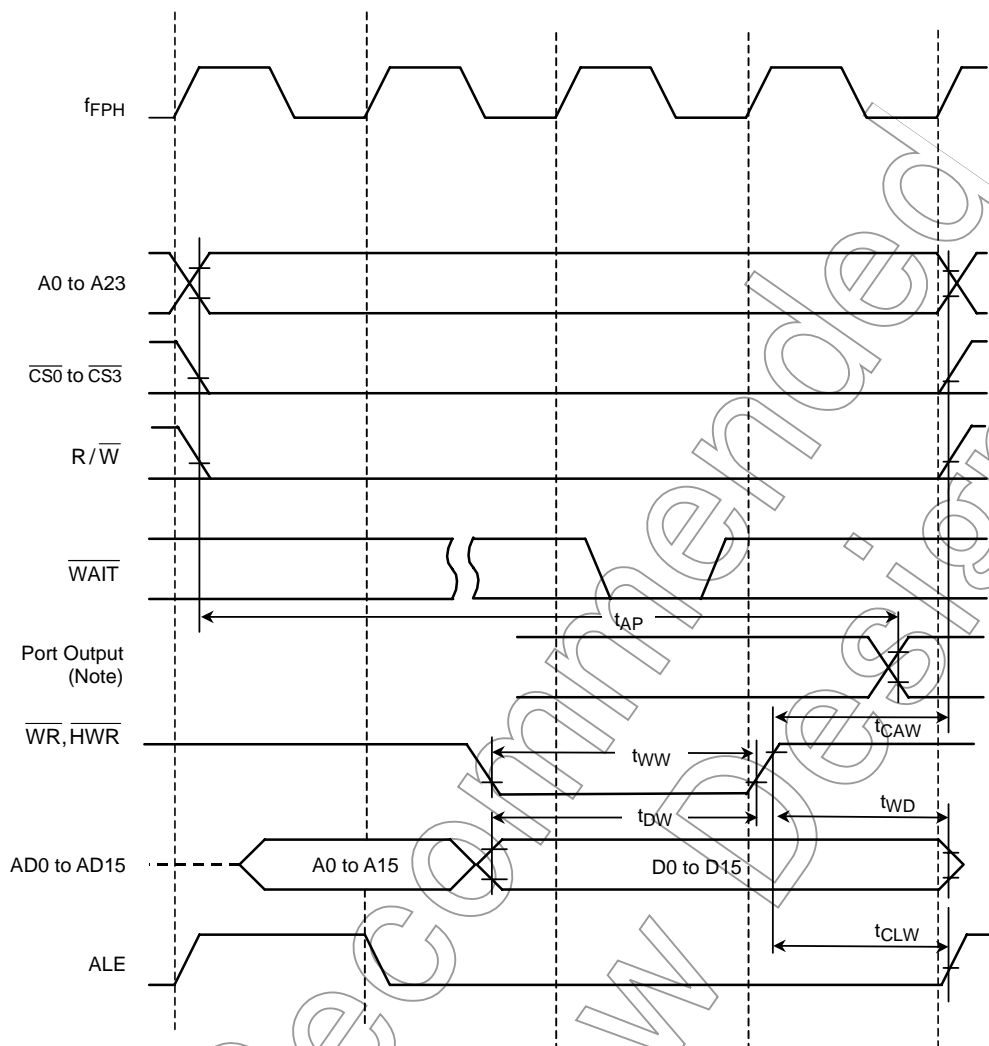
The value of "x" changes according to whether a clock gear or a low-speed oscillator is selected.

An example value is calculated for fc, with gear=1/fc ( $\text{SYSCR1} \langle \text{SYSCK}, \text{GEAR2 to 0} \rangle = 0000$ ).





(4) Write Cycle



Note: Since the CPU accesses the internal area to write data to a port, the control signals of external pins such as  $\overline{WR}$  and  $\overline{CS}$  are not enabled. Therefore, the above waveform diagram should be regarded as depicting internal operation. Please also note that the timing and AC characteristics of port input/output shown above are typical representation. For details, contact your local Toshiba sales representative.

## 4.4 AD Conversion Characteristics

AVCC = VCC, AVSS = VSS

parameter	Symbol	Condition	Min	Typ.	Max	Unit
Analog Reference Voltage (+)	VREFH	VCC = 3 V ± 10%	VCC - 0.2 V	VCC	VCC	V
		VCC = 2 V ± 10%	VCC	VCC	VCC	
Analog Reference Voltage (-)	VREFL	VCC = 3 V ± 10%	VSS	VSS	VSS + 0.2 V	
		VCC = 2 V ± 10%	VSS	VSS	VSS	
Analog Input Voltage Range	VAIN		VREFL		VREFH	
Analog Current for Analog Reference Voltage <VREFON> = 1	IREF (VREFL = 0V)	VCC = 3 V ± 10%		0.94	1.20	
		VCC = 2 V ± 10%		0.65	0.90	
<VREFON> = 0		VCC = 1.8 V to 3.3 V		0.02	5.0	μA
Error (not including quantizing errors)	-	VCC = 3 V ± 10%		± 1.0	± 4.0	LSB
		VCC = 2 V ± 10%		± 1.0	± 4.0	

Note 1: 1 LSB = (VREFH - VREFL)/1024 [V]

Note 2: The operation above is guaranteed for  $f_{\text{FPH}} \geq 4$  MHz.

Note 3: The value for  $I_{\text{CC}}$  includes the current which flows through the AVCC pin.

Not Recommended for New Design

### 4.5 Serial Channel Timing (I/O Internal Mode)

#### (1) SCLK Input Mode

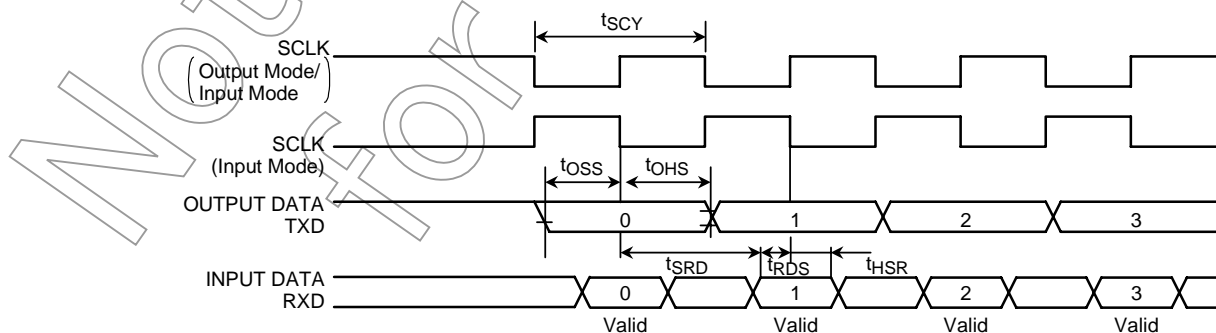
Parameter	Symbol	Variable		10 MHz		27 MHz		Unit
		Min	Max	Min	Max	Min	Max	
SCLK Period	t <sub>SCY</sub>	16X		1.6		0.59		μs
Output Data → SCLK Rising /Falling Edge*	t <sub>OSS</sub>	t <sub>SCY</sub> /2 - 4x - 110 (V <sub>CC</sub> =3V±10%)		290		38		ns
		t <sub>SCY</sub> /2 - 4x - 180 (V <sub>CC</sub> =2V±10%)		220				
SCLK Rising/Falling Edge* → Output Data Hold	t <sub>OHS</sub>	t <sub>SCY</sub> /2 + 2X + 0		1000		370		ns
SCLK Rising/Falling Edge* → Input Data Hold	t <sub>HSR</sub>	3x+10		310		121		ns
SCLK Rising/Falling Edge* → Valid Data Input	t <sub>SRD</sub>		t <sub>SCY</sub> - 0		1600		592	ns
Valid Data Input → SCLK Rising/Falling Edge*	t <sub>RDS</sub>	0		0		0		ns

\*) SCLK Rising/Falling Edge: The rising edge is used in SCLK Rising Mode.  
The falling edge is used in SCLK Falling Mode.

Note: Value of 27 MHz and 10MHz at t<sub>SCY</sub> = 16X.

#### (2) SCLK Output Mode

Parameter	Symbol	Variable		10 MHz		27 MHz		Unit
		Min	Max	Min	Max	Min	Max	
SCLK Period	t <sub>SCY</sub>	16X	8192X	1.6	819	0.59	303	μs
Output Data → SCLK Rising/Falling Edge*	t <sub>OSS</sub>	t <sub>SCY</sub> /2 - 40		760		256		ns
SCLK Rising/Falling Edge* → Output Data Hold	t <sub>OHS</sub>	t <sub>SCY</sub> /2 - 40		760		256		ns
SCLK Rising/Falling Edge* → Input Data Hold	t <sub>HSR</sub>	0		0		0		ns
SCLK Rising/Falling Edge* → Valid Data Input	t <sub>SRD</sub>		t <sub>SCY</sub> - 1X - 180		1320		375	ns
Valid Data Input → SCLK Rising/Falling Edge*	t <sub>RDS</sub>	1X + 180		280		217		ns



## 4.6 Event Counter (TA0IN, TA4IN, TB0IN0, TB0IN1, TB1IN0, TB1IN1)

Parameter	Symbol	Variable		10 MHz		27 MHz		Unit
		Min	Max	Min	Max	Min	Max	
Clock period	t <sub>VCK</sub>	8X + 100		900		396		ns
Clock Low level width	t <sub>VCKL</sub>	4X + 40		440		188		ns
Clock High level width	t <sub>VCKH</sub>	4X + 40		440		188		ns

## 4.7 Interrupt and Capture

(1)  $\overline{\text{NMI}}$ , INT0 to INT4 Interrupts

Parameter	Symbol	Variable		10 MHz		27 MHz		Unit
		Min	Max	Min	Max	Min	Max	
$\overline{\text{NMI}}$ , INT0 to INT4 Low level width	t <sub>INTAL</sub>	4X + 40		440		188		ns
$\overline{\text{NMI}}$ , INT0 to INT4 High level width	t <sub>INTAH</sub>	4X + 40		440		188		ns

## (2) INT5 to INT8 Interrupts, Capture

The INT5 to INT8 input width depends on the system clock and prescaler clock settings.

System Clock Selected <SYSCK>	Prescaler Clock Selected <PRCK1:0>	t <sub>INTBL</sub> (INT5 to INT8 Low level Width)		t <sub>INTBH</sub> (INT5 to INT8 High Level Width)		Unit
		Variable	f <sub>FPH</sub> = 10 MHz	Variable	f <sub>FPH</sub> = 27 MHz	
		Min	Min	Min	Min	
0 (fc)	00 (f <sub>FPH</sub> )	8X + 100	396	8X + 100	396	ns
	10 (fc/16)	128Xc + 0.1	4.8	128Xc + 0.1	4.8	μs
1 (fs)	00 (f <sub>FPH</sub> )	8X + 0.1	244.3	8X + 0.1	244.3	

Note: Xc = Period of Clock fc

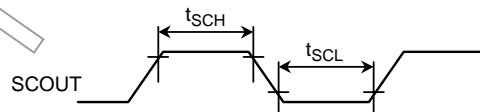
## 4.8 SCOUT Pin AC Characteristics

Parameter	Symbol	Variable		10 MHz		27 MHz		Condition	Unit
		Min	Max	Min	Max	Min	Max		
Low level width	t <sub>SCH</sub>	0.5T - 13		37		5		V <sub>CC</sub> ≥ 2.7 V	ns
		0.5T - 25		25		-		V <sub>CC</sub> < 2.7 V	
High level width	t <sub>SCL</sub>	0.5T - 13		37		5		V <sub>CC</sub> ≥ 2.7 V	ns
		0.5T - 25		25		-		V <sub>CC</sub> < 2.7 V	

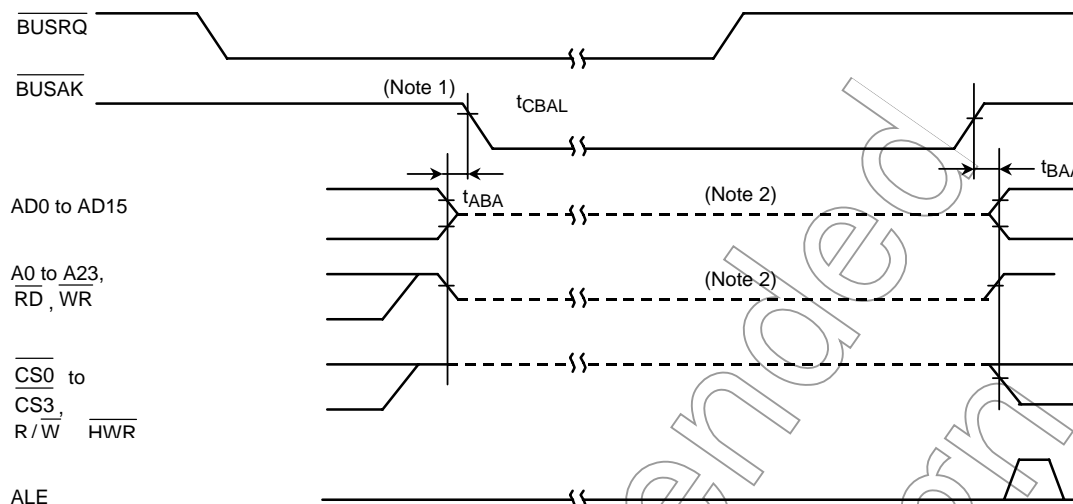
Note: T = Period of SCOUT

## Measurement Condition

- Output Level: High 0.7 V<sub>CC</sub>/Low 0.3 V<sub>CC</sub>, CL = 10pF



## 4.9 Bus Request/Bus Acknowledge



Parameter	Symbol	Variable		$f_{FPH} = 10 \text{ MHz}$		$f_{FPH} = 27 \text{ MHz}$		Condition	Unit
		Min	Max	Min	Max	Min	Max		
Output Buffer Off to $\overline{\text{BUSAK}}$ Low	$t_{\text{ABA}}$	0	80	0	80	0	80	$V_{\text{CC}} \geq 2.7 \text{ V}$	ns
		0	300	0	300	0	300	$V_{\text{CC}} < 2.7 \text{ V}$	
$\overline{\text{BUSAK}}$ High to Output Buffer On	$t_{\text{BAA}}$	0	80	0	80	0	80	$V_{\text{CC}} \geq 2.7 \text{ V}$	ns
		0	300	0	300	0	300	$V_{\text{CC}} < 2.7 \text{ V}$	

Note 1: Even if the  $\overline{\text{BUSRQ}}$  Signal goes Low, the bus will not be released while the  $\overline{\text{WAIT}}$  signal is Low. The bus will only be released when  $\overline{\text{BUSRQ}}$  goes Low while  $\overline{\text{WAIT}}$  is High.

Note 2: This line shows only that the output buffer is in the Off state.

It does not indicate that the signal level is fixed.

Just after the bus is released, the signal level set before the bus was released is maintained dynamically by the external capacitance. Therefore, to fix the signal level using an external resistor during bus release, careful design is necessary, since fixing of the level is delayed.

The internal programmable pull-up/pull-down resistor is switched between the active and non-active states by the internal signal.

### 4.10 Recommended Oscillation Circuit

TMP91CY22I has been evaluated by murata manufacturing Co., Ltd. Please refer to murata manufacturing Co., Ltd.

Note: Total loads value of oscillator is sum of external loads (C1 and C2) and floating loads of actual assemble board. There is a possibility of miss-operating. When designing board, it should design minimum length pattern around oscillator. And we recommend that oscillator evaluation try on your actual using board.

(1) Examples of resonator connection

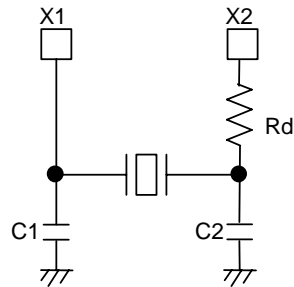


Figure 4.10.1 High-frequency Oscillator Connection

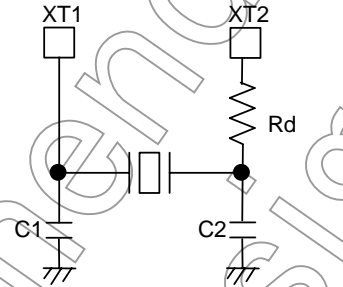


Figure 4.10.2 Low-frequency Oscillator Connection

(2) Recommended ceramic resonators for TMP91CY22I: Murata Manufacturing Co., Ltd.

Ta = -40 to 85°C

MCU	Oscillation Frequency [MHZ]	Item of Oscillator	Parameter of Elements			Running Condition	
			C1 [pF]	C2 [pF]	Rd [ $\Omega$ ]	Voltage of Power [V]	Tc[°C]
TMP91CY22I	2.00	CSTCC2M00G56-R0	(47)	(47)	0	1.8 ~ 2.2	-20 ~ +80
	4.00	CSTCR4M00G55-R0	(39)	(39)		2.7 ~ 3.3	
		CSTLS4M00G56-B0	(47)	(47)			
	6.00	CSTCR6M75G55-R0	(39)	(39)		1.8 ~ 2.2	
	10.00	CSTLS6M75G56-B0	(47)	(47)			
		CSTLS10M0G53-B0	(15)	(15)			

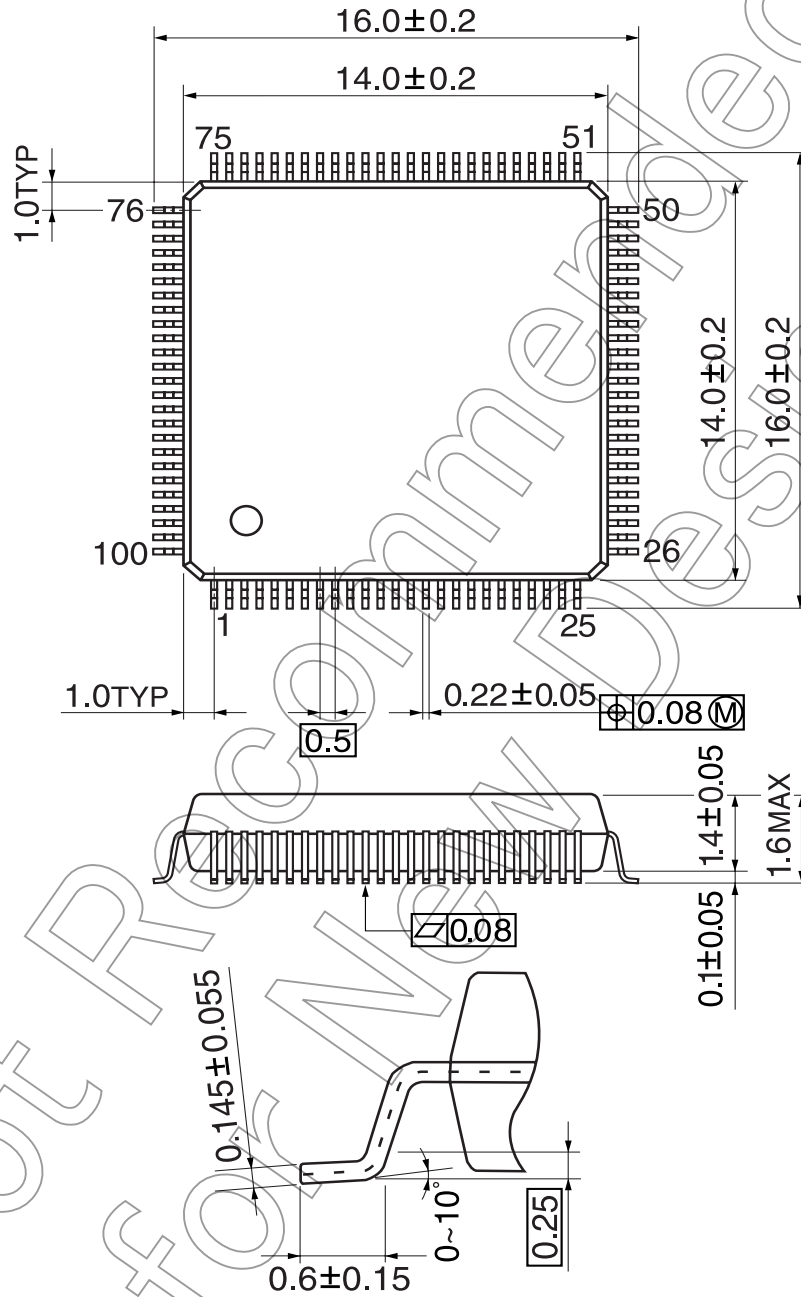
- In CST\*\*\* type oscillator, capacitance C1, C2 is built-in.
- The product numbers and specifications of the resonators by Murata Manufacturing Co., Ltd. are subject to change. For up-to-date information, please refer to the following URL;

<http://www.murata.co.jp>

5. Package Dimensions

P-LQFP100-1414-0.50F

Unit: mm



Not Recommended