

Introduction

This application note describes the electronic lamp ballast for 70 W high intensity discharge (HID) metal halide lamps (MHL) used for general indoor applications. The ballast is composed of a boost converter and an inverter. The inverter is realized by a full bridge driver with a power control circuit.

The booster converter for power factor correction (PFC) is controlled by the L6562A controller (U1). The inverter is a full bridge topology driven by two pairs of half bridge buck converters, L6385E (U3) and L6569 (U4), with the constant power control circuit L6562A (U2).

In this note the dual-buck converter is introduced. One works in high frequency and the other works in complementarity with necessary dead time at a lower frequency.

Figure 1. The demonstration board



AM01435v1

Contents

1	Safety instructions	4
2	The selected solution	5
2.1	The dual-buck converter topology	5
2.2	The power control circuit	6
2.3	Ignition circuit	9
3	Description of demonstration board	10
3.1	Specifications	10
3.2	The PCB layout	10
3.3	Electrical schematic	11
3.4	Bill of material	12
4	Experimental results	15
4.1	Test with HID lamp	18
5	References	19
6	Revision history	20

List of figures

Figure 1.	The demonstration board	1
Figure 2.	The fundamental diagram for the HID lamp ballast	5
Figure 3.	The dual-buck converter	5
Figure 4.	The timing chart	6
Figure 5.	Input power, output voltage and input peak current	7
Figure 6.	Indirect constant power control circuit	8
Figure 7.	Average current sense circuit	9
Figure 8.	Ignition circuit	9
Figure 9.	Electrical characteristics of LIC01	9
Figure 10.	Demonstration board top-side view	10
Figure 11.	Demonstration board bottom-side view	10
Figure 12.	Schematic diagram of demonstration board	11
Figure 13.	Lamp current at warm-up state	15
Figure 14.	Load with 30 W during warm-up	15
Figure 15.	Load with 50 W during warm-up	15
Figure 16.	Load with 100 W in steady-state	16
Figure 17.	Load with 140 W in steady-state	16
Figure 18.	Steady-state at 110 Vac input	16
Figure 19.	Steady-state at 220 Vac	16
Figure 20.	The timer circuit	17
Figure 21.	Lamp current during start up with HID lamp	18
Figure 22.	The lamp current in warm-up state	18
Figure 23.	The lamp current in steady-state	18

1 Safety instructions

Warning: The demonstration board must be used in a suitable laboratory by qualified personnel who are familiar with the installation, use, and maintenance of electrical systems.

Intended use

The demonstration board is designed for demonstration purposes only, and must not be used for domestic installations or for industrial installations. All technical data, including the information concerning the power supply and working conditions, should only be taken from the documentation included in the pack and must be strictly observed.

Installation

The installation instructions for the demonstration board must be taken from the present document and strictly observed. The components must be protected against excessive strain, and in particular, no components are to be bent, or isolating distances altered during transportation, handling or use. The demonstration board contains electrostatically sensitive components that are prone to damage through improper use. Electrical components must not be mechanically damaged or destroyed (to avoid potential risk and personal injury).

Electrical connection

Applicable national accident prevention rules must be followed when working on the mains power supply. The electrical installation must be carried out in accordance with the appropriate requirements (e.g. cross-sectional areas of conductors, fusing, and PE connections).

Board operation

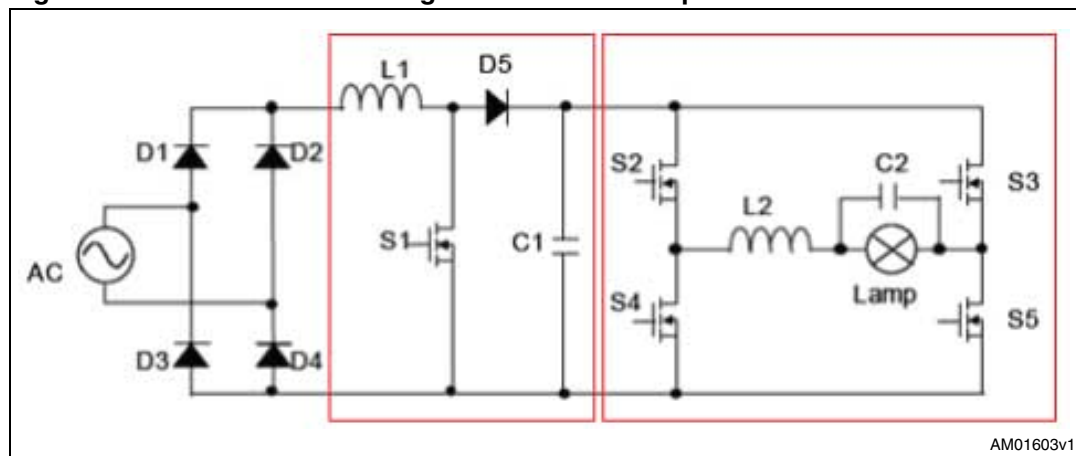
A system architecture which supplies power to the demonstration board must be equipped with additional control and protective devices in accordance with the applicable safety requirements (e.g. compliance with technical equipment and accident prevention rules).

2 The selected solution

2.1 The dual-buck converter topology

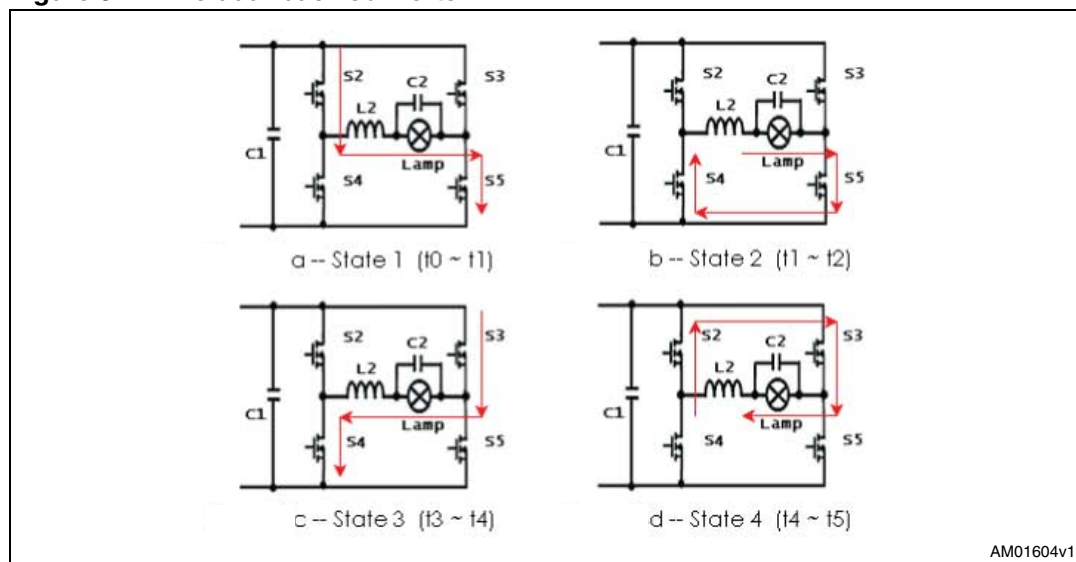
The fundamental application circuit in [Figure 2](#) is composed of a PFC stage and a power inversion stage. As the boost converter for power factor correction (PFC) is commonly used, only the power inversion stage is introduced in this application note.

Figure 2. The fundamental diagram for the HID lamp ballast



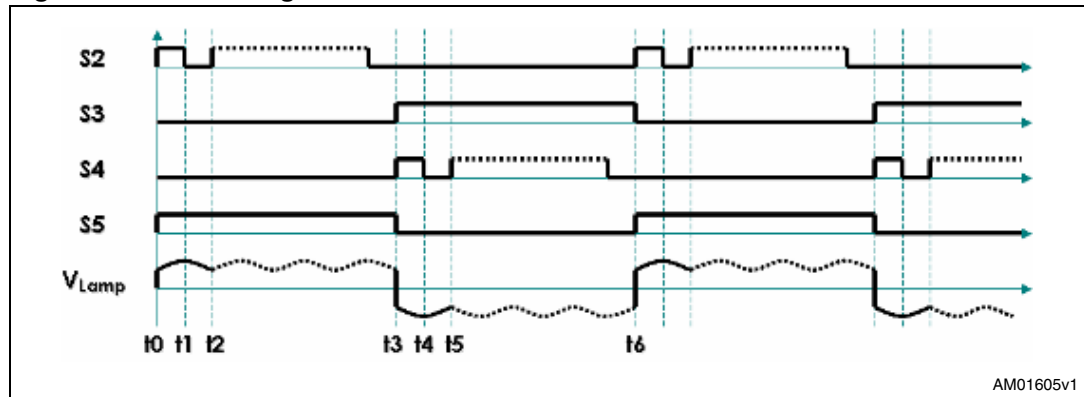
The full bridge inverter consists of two half bridge buck converters. This is shown in [Figure 3](#). Both converters have the same L2 load, C2 and lamp. One of the buck converters (S2 and S4) works in high frequency (several tens of kHz) and the second buck converter (S3 and S5) works in complementarity with necessary dead time at a lower frequency (a few hundred Hertz). This kind of full bridge stage is also called dual-buck converter.

Figure 3. The dual-buck converter



The timing diagram in [Figure 4](#) indicates the relationship of a dual-buck converter and lamp current.

Figure 4. The timing chart



Description of the four operating states

- State 1 in [Figure 3a](#) (from t_0 to t_1 , see [Figure 4](#)):
 - S3 and S4 in off-state, S2 and S5 are turned on, C1 discharges through S2, L2, Lamp and S5. Certain energy stores to L2 and C2.
- State 2 in [Figure 3b](#) (from t_1 to t_2 , see [Figure 4](#)):
 - S3 and S4 remain in off-state. S2 is working in high frequency in off-state, and S5 is working in low frequency and remains in on-state. The energy of L2 and C2 keeps on releasing through Lamp, S5 and the reversed body diode of S4. As S2 is working at a higher frequency, state 1 and state 2 is repetitive until the S5 is turned-off at t_3 .
- State 3 in [Figure 3c](#) (from t_3 to t_4 , see [Figure 4](#)):
 - S2 and S5 in off-state, S3 and S4 are turned on, C1 discharges through S3, Lamp, L2 and S4. Certain energy stores to L2 and C2.
- State 4 in [Figure 3d](#) (from t_4 to t_5 , see [Figure 4](#)):
 - S2 and S5 remain in off-state. S4 is working in high frequency in off-state, and S3 is working in low frequency and remains in on-state. The energy of L2 and C2 keeps on releasing through the reversed body diode of S2, then S3 and lamp. S4 is working at a high frequency from t_3 to t_6 , therefore state 3 and state 4 is repetitive until S3 is turned-off at t_6 . One full operating cycle is completed. Starting from t_6 , the behavior of t_0 is repeated again. From the above analysis, we realize the lamp current flow to this dual-buck converter, and loads to the same L2 inductor, C2 output capacitor, and HID lamp. The lamp current at state 3 and state 4 is in the opposite direction.

2.2 The power control circuit

There are two main functions of the power control circuit. One is constant current control during warm-up and the other is constant power control during steady-state operation.

- Constant current control

Normally, the lamp current is higher during the warm-up stage than when working at steady-state. But a warm-up current that is too high may cause the electrode to decay and shorten the operating life of the lamp. If warm-up current is too low, the time to steady-state is postponed. Therefore providing a value with 20% higher than the rate of warm-up current during warm-up time is respected. The constant current control is

realized by controlling the peak inductor current of the dual-buck converter. Assume the input voltage of the buck converter is V_{bi} , the output voltage is V_{bo} , the duty cycle is D , input peak current is I_{in_pk} , as the buck converter is working at a critical discontinuous mode, and the average input current is:

Equation 1

$$\bar{I}_{in} = \frac{1}{2} I_{in_pk} \cdot D$$

And the duty cycle is:

Equation 2

$$D = \frac{V_{bo}}{V_{bi}}$$

The input power becomes:

Equation 3

$$P_{in} = V_{bi} \cdot \bar{I}_{in}$$

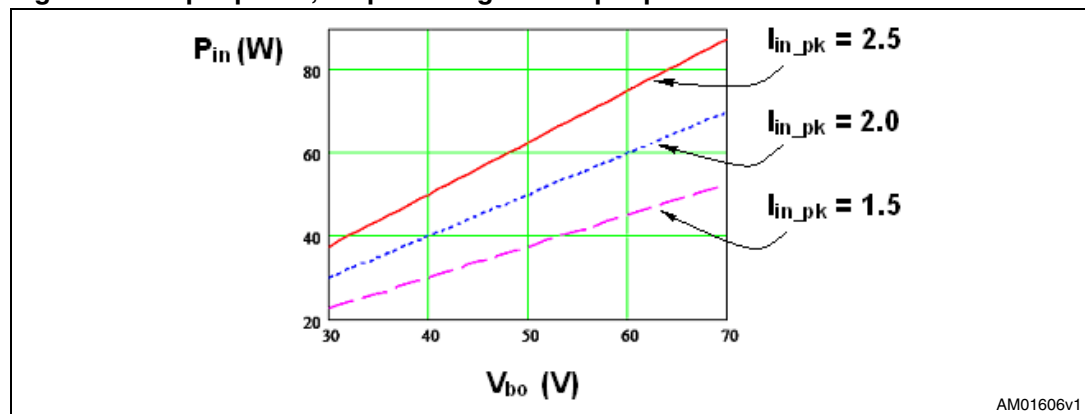
Thus the relationship between the input power (P_{in}), input peak current (I_{in_pk}) and output voltage (V_{bo}) is:

Equation 4

$$P_{in} = V_{bi} \cdot \frac{1}{2} I_{in_pk} \cdot D = V_{bi} \cdot \frac{1}{2} I_{in_pk} \cdot \frac{V_{bo}}{V_{bi}} = \frac{1}{2} I_{in_pk} \cdot V_{bo}$$

If the lamp is operating with a constant current source, once input peak current (I_{in_pk}) is selected, we observe the input power (P_{in}) is proportional to the output voltage (V_{bo}). Despite the power losses, the output power is also proportional to the output voltage.

Figure 5. Input power, output voltage and input peak current

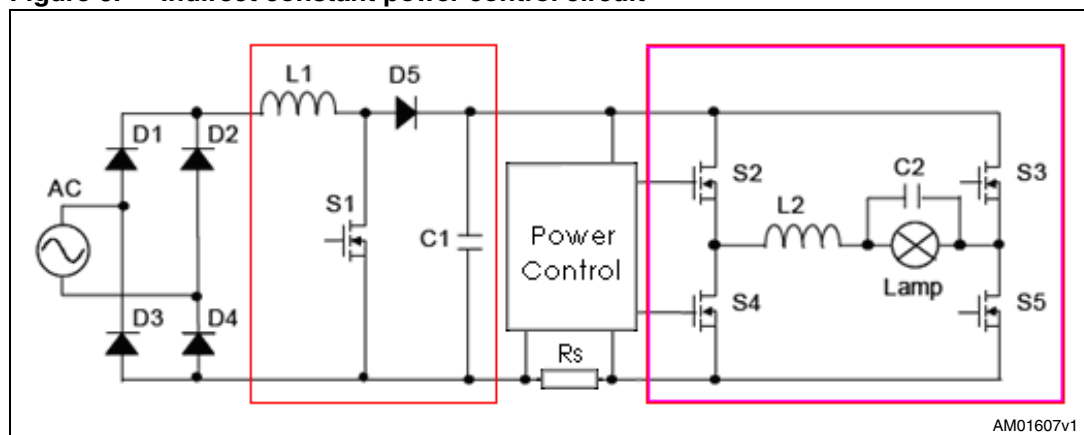


In [Figure 5](#), there are three different I_{in_pk} curves, this helps to choose the proper input peak current according to the different types of lamp. After warming-up, the lamp voltage increases slowly to the minimum value of the rated power, the duty cycle increases accordingly. And then the input peak current decreases. In order to power up the lamp in steady-state, the circuit changes from constant current control function to constant power control.

- Constant power control circuit

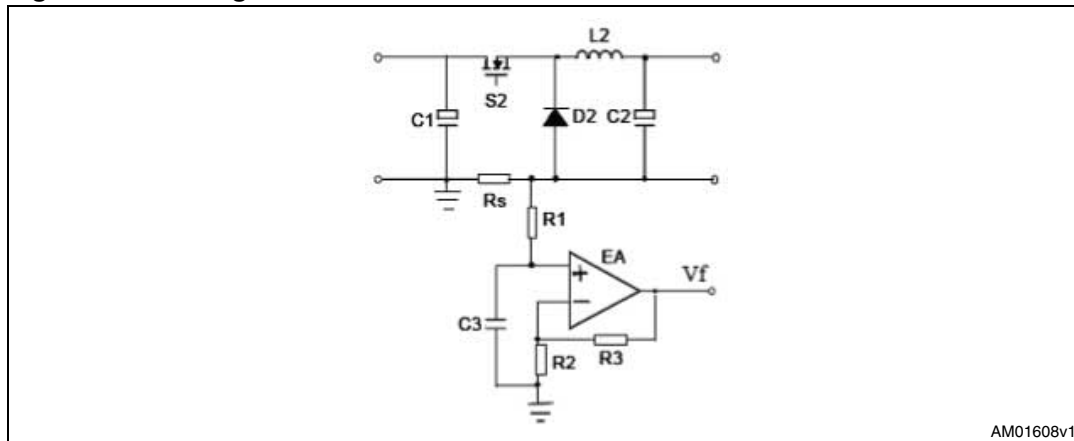
In this solution, the voltage on pin 3 of U2 (L6562A) is fixed, therefore, during the warm-up time, pin 2 of U2 is clamped at its upper threshold, so the input peak current detected by pin 4 is also fixed. Once the lamp power increases with the lamp voltage increase, pin 2 decreases accordingly, the lamp works at a constant power state. Constant power control assures the output power is constant and stabilizes lamp luminosity without flicker. The lamp operates at the best rated lamp power. Here is an indirect method to perform the constant power control for the lamp. As shown in [Figure 6](#), an R_s resistor is connected between the PFC stage and the full bridge stage. If the output voltage of the PFC stage is constant, it means the current of R_s is constant. With the proper controlling of the average current flow through R_s , the current sources from the boost converter (PFC stage) become constant, and the output power in full bridge stage is also constant, assume the power losses of the dual-buck converter (full bridge stage) is constant. Therefore the lamp power has constant control indirectly.

Figure 6. Indirect constant power control circuit



The average current sense circuit is shown as [Figure 7](#). R_1 and C_3 is the filter used to obtain the average voltage on R_s . The V_f feedback signal is generated to control the on-time of the dual-buck converter. In practice, the operating lamp voltage and current change according to the age of the lamp, but the change in power loss to the dual-buck converter is very small and therefore negligible. This indirect method achieves good performances in a low power application.

Figure 7. Average current sense circuit



AM01608v1

2.3 Ignition circuit

A high voltage is required to ignite the HID lamp. The ignition voltage depends on the type of HID lamp. For a MHL (metal halide lamp) it is about 3-5 kV. For a hot lamp re-striking needs about 20 kV. Immediate re-ignition of a hot lamp is not advised. Therefore, a cooling down period for hot lamps is recommended. The ignition circuit is shown in *Figure 8*. The pulse transformer (T1) is used to give the ignition pulse. The LIC01 is specially designed for high voltage pulse generation purposes. At the beginning of turn-on S, with LIC01 in off-state, bus voltage Vdc charges to C1 through R1 until it reaches the breakdown voltage (V_{BO} in *Figure 9*) of LIC01. Once LIC01 breakdown, C1 discharges and the crowbar current occurs. LIC01 is latched to on-state. The LIC01 is turned off when discharging a current lower than the holding current (I_H). Then LIC01 returns to the off-state. In such a case, a voltage pulse is generated on Lp. With the turn ratio 1:n of T1, the high voltage across C2 is generated and remains constant for a very short time. Therefore the lamp obtains a high voltage pulse to ignite. LIC01 returns to the off-state after C1 discharges and another charging to C1 is restarted. After the lamp is ignited, S is turned off and there is no more voltage pulse generation on Lp.

Figure 8. Ignition circuit

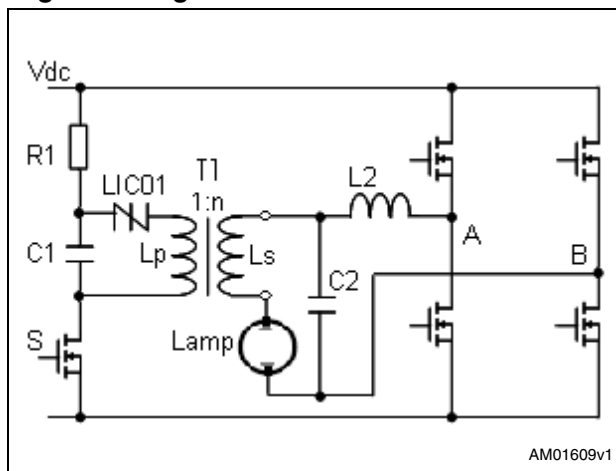
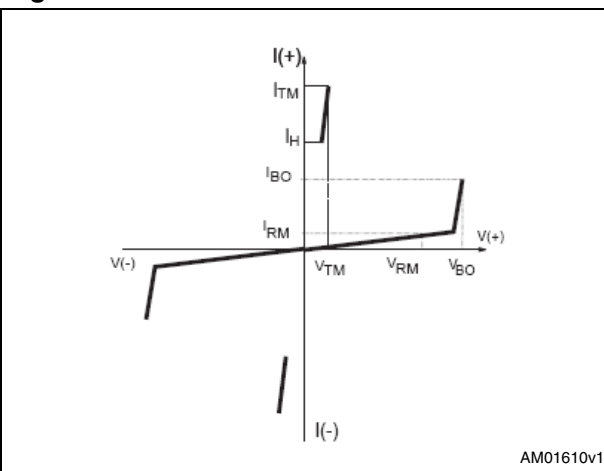


Figure 9. Electrical characteristics of LIC01



AM01610v1

3 Description of demonstration board

3.1 Specifications

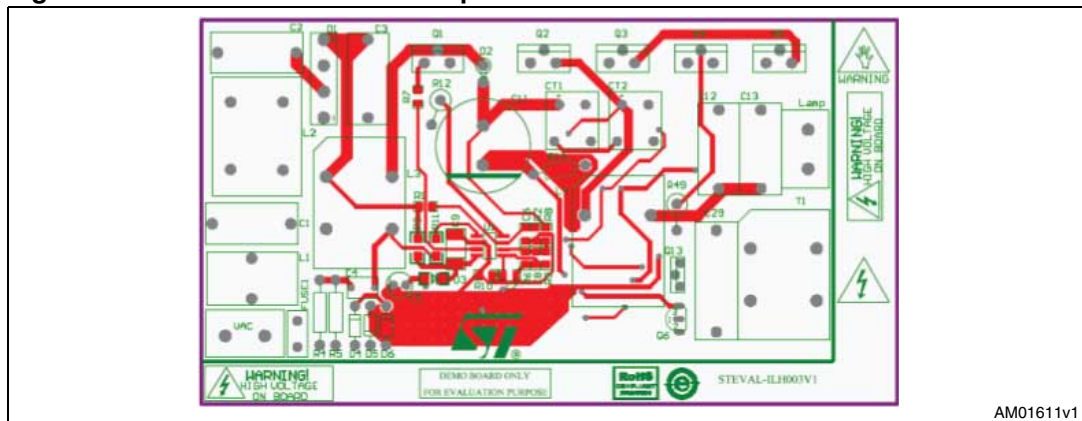
The demonstration board is designed with open-lamp protection, specifications are shown in [Table 1](#).

Table 1. Specifications

Parameter	Value	Unit
Line voltage range	88 to 264	Volt
Line frequency	50 or 60	Hz
Load with HID lamp	70	Watt
Lamp rate voltage	85	Vrms
Power factor	0.98 minimum	-
Efficiency	0.88 minimum	%

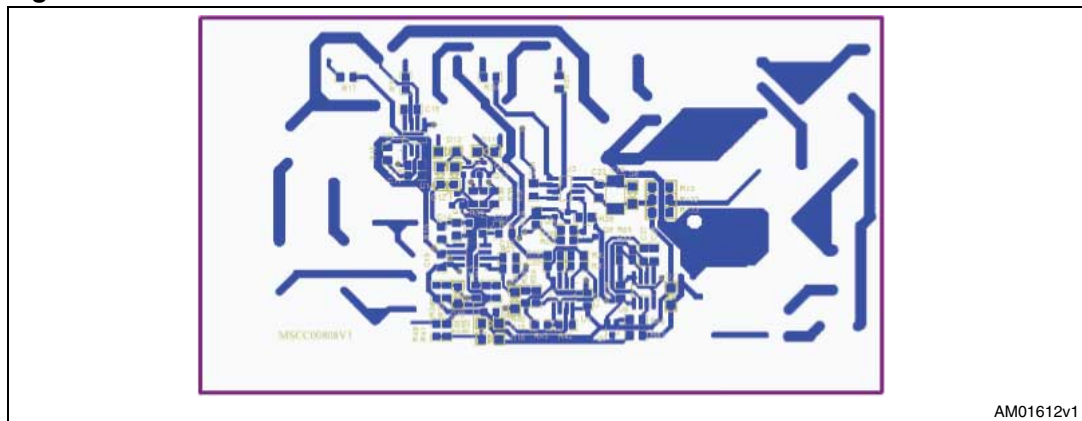
3.2 The PCB layout

Figure 10. Demonstration board top-side view



AM01611v1

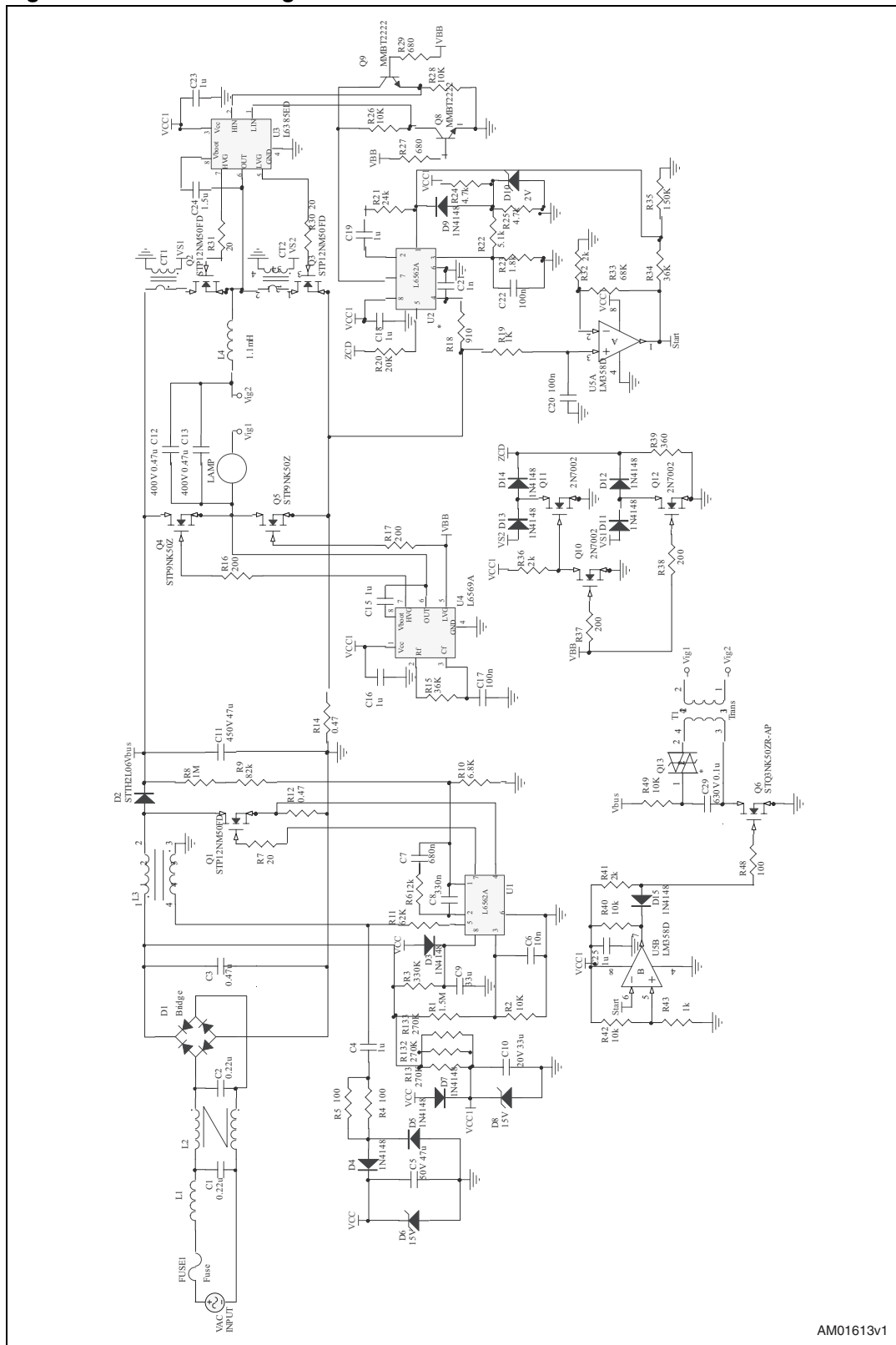
Figure 11. Demonstration board bottom-side view



AM01612v1

3.3 Electrical schematic

Figure 12. Schematic diagram of demonstration board



3.4 Bill of material

Table 2. Bill of material

Name	Value	Rated	Type
C1, C2	0.22 μ F	275 V	Panasonic ECQU2A224KL
C3, C12, C13	0.47 μ F	400 V	Falatron CL21
C4	1 μ F		
C5, C9, C10	47 μ F	50 V	
C6	10 nF		SMD (0805)
C7	680 nF		SMD (0805)
C8	330 nF		SMD (0805)
C9, C10	33 μ F	20 V	Tantalum
C11	47 μ F	450 V	Panasonic EEUEE2W470S
C15, C16, C18, C19, C23, C25	1 μ F		SMD (0805)
C17, C20, C22	100 nF		SMD (0805)
C14, C21	1 nF		SMD (0805)
C24	1.5 μ F		SMD (0805)
C29	0.1 μ F	630 V	Falatron CBB21
R1	1.5 m Ω		SMD (0805)
R2, R26, R40, R42	10 k Ω		SMD (0805)
R3	330 k Ω		SMD (1206)
R4, R5	100 Ω	1 W	
R6	12 k Ω		SMD (0805)
R7	20 Ω		SMD (0805)
R8	1 M Ω		SMD (0805)
R9	82 k Ω		SMD (0805)
R10	6.8 k Ω		SMD (0805)
R11	62 k Ω		SMD (1206)
R12, R14	0.47 Ω	1 W	
R13, R132, R133	270 k Ω		SMD (1206)
R15	36 k Ω		SMD (0805)
R16, R17, R37, R38	200 Ω		SMD (0805)
R18	910 Ω		SMD (0805)
R19, R43	1 k Ω		SMD (0805)
R20	20 k Ω		SMD (0805)

Table 2. Bill of material (continued)

Name	Value	Rated	Type
R21	24 k Ω		SMD (0805)
R22	5.1 k Ω		SMD (0805)
R23	1.8 k Ω	1% ¼ W	SMD (0805)
R24, R25	4.7 k Ω		SMD (0805)
R27, R29	680 Ω		SMD (0805)
R28	10 k Ω		SMD (0805)
R30, R31	20 Ω		SMD (0805)
R32	2 k Ω	1%	
R33	68 k Ω	1%	
R34	36 k Ω	1%	
R35	150 k Ω	1%	
R36, R41	2 k Ω		
R39	360 Ω		
R44, R45, R46, R47	N.C.		
R48	100 Ω		
R49	10 k Ω	1 W	
D1	2KBP06	2 A, 600 V	Bridge rectifier
D2	STTH2L06	Ultra-fast diode	STMicroelectronics
D3, D7, D9, D11, D12, D13, D14, D15	1N4148		Mini MELF
D4, D5	1N4148		DO-35
D6, D8	15 V Zener diode	15 V	Mini MELF
D10	2 V Zener diode	2 V	Mini MELF
D16	N.C.		
Q1, Q2, Q3	STP15NM60ND	Power MOSFET	STMicroelectronics
Q4, Q5	STP9NK50Z	Zener protected MOSFET	STMicroelectronics
Q6	STQ3NK50ZR	Zener protected MOSFET	STMicroelectronics
Q7	N.C.		
Q8, Q9	MMBT2222		SOT-23
Q10, Q11, Q12	2N7002	Power MOSFET	STMicroelectronics
Q13	LIC01-215H	Light ignition circuit	STMicroelectronics
U1, U2	L6562AD	Power controller	STMicroelectronics
U3	L6385ED	HB driver	STMicroelectronics
U4	L6569AD	HB driver	STMicroelectronics

Table 2. Bill of material (continued)

Name	Value	Rated	Type
U5	LM358D	comparator	STMicroelectronics
FUSE 1		500 mA	
CT1, CT2	CT101		TDK CT101
L1	200 μ H	2 A	TDK SF-T8-60L-02-PF
L2	7.5 mH	1.5 A	TDK HF2318-A752Y1R5-01
L3 ⁽¹⁾	600 μ H		inductor
L4 ⁽²⁾	1.1 mH		inductor
T1 ⁽³⁾	400 μ H		transformer

1. Core: PC40EF25-Z or equivalent; bobbin: EF-25; winding: AWG30*4, 100 turns and AWG29*2,8 turns; air gap: about 1 mm

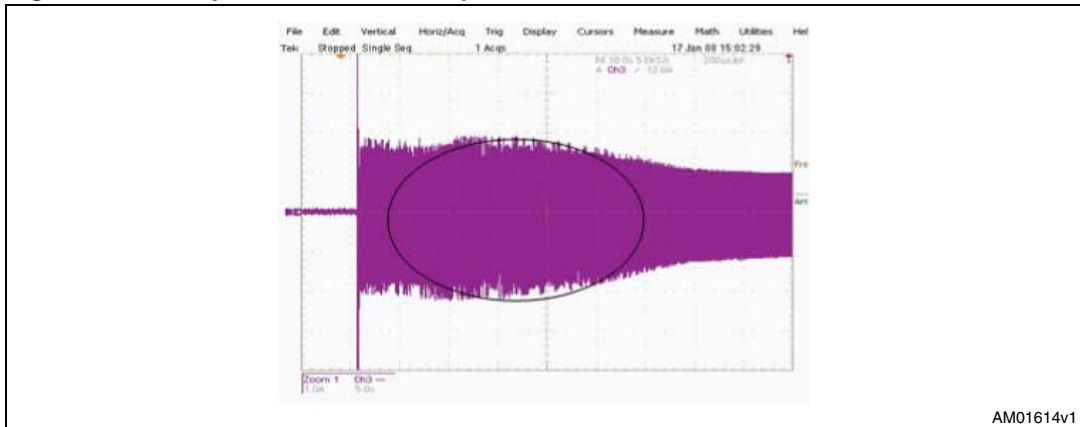
2. Core: PC40EF25-Z or equivalent; bobbin: EF-25; winding: AWG27*2, 150 turns; air gap: about 1.8 mm

3. Core: PC40EF25-Z or equivalent; bobbin: EF-25; winding: ~; air gap: about 1 mm

4 Experimental results

Figure 13 shows the lamp current during start up. This warm-up current is higher than the steady-state current. This current should be constant during the warm-up stage (the circled area) before it enters the steady-state. During warm-up, the equivalent resistor for a 70 W HID lamp can vary from 20 Ω to 70 Ω.

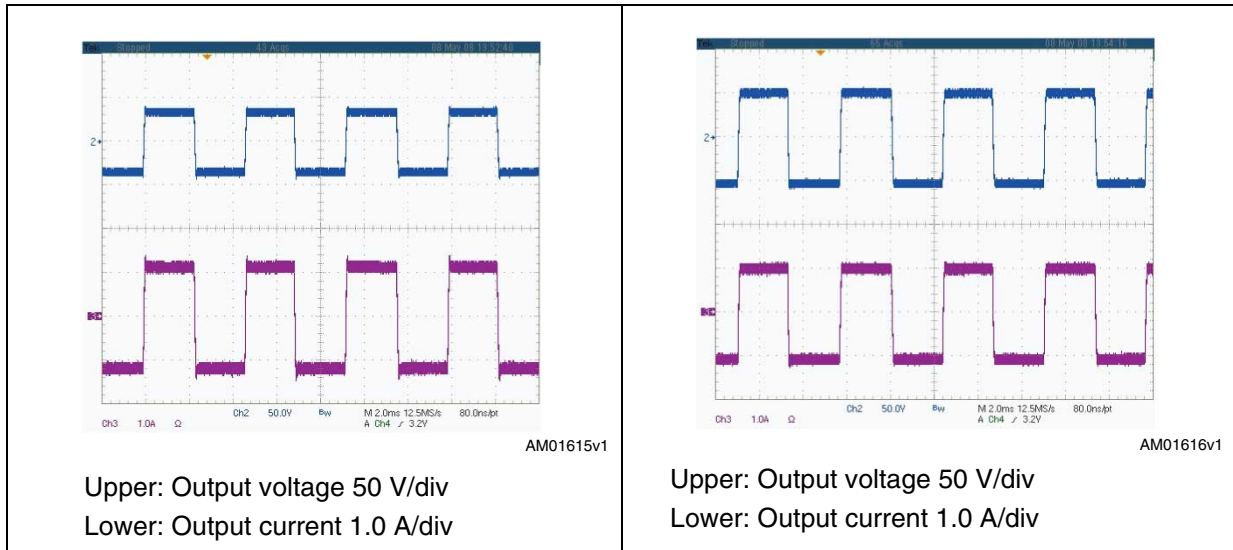
Figure 13. Lamp current at warm-up state



Since the HID lamp needs constant current control during the warm-up state and constant power control during steady-state, designers, therefore, used a 30 Ω and 50 Ω dummy load to evaluate the performance of the warm-up state. Figure 14 is the test with a 30 Ω dummy load and Figure 15 is the test with a 50 Ω dummy load. Obviously the current values during warm-up equal 1.1 A constantly, and therefore the constant current control is well achieved.

Figure 14. Load with 30 Ω during warm-up

Figure 15. Load with 50 Ω during warm-up



Upper: Output voltage 50 V/div
Lower: Output current 1.0 A/div

Upper: Output voltage 50 V/div
Lower: Output current 1.0 A/div

For constant power control to the 70 W HID lamp, the rated voltage of the lamp is 85 V and the rated current is 0.82 A. Therefore, the equivalent resistor for the lamp equals 103.6 Ω. As the equivalent resistor for a new or old lamp varies, the typically varied range can have a

20% difference to the rated value. Therefore a 100 Ω and 140 Ω dummy load is chosen for constant power evaluation on bench. Please refer to [Figure 16](#) and [17](#) for test results of the lamp voltage and lamp current.

Figure 16. Load with 100 Ω in steady-state

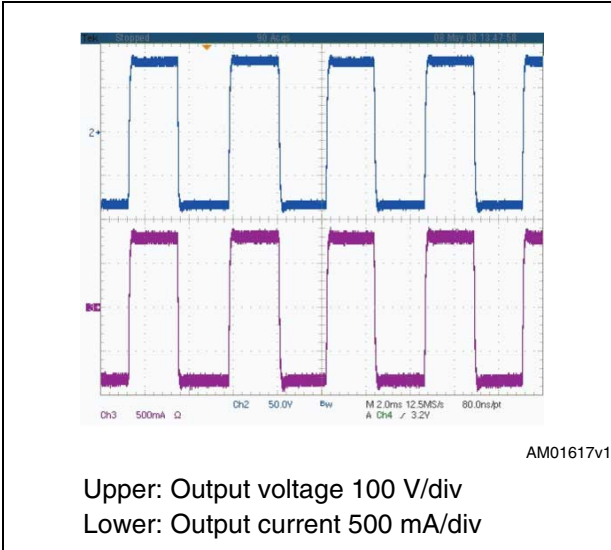
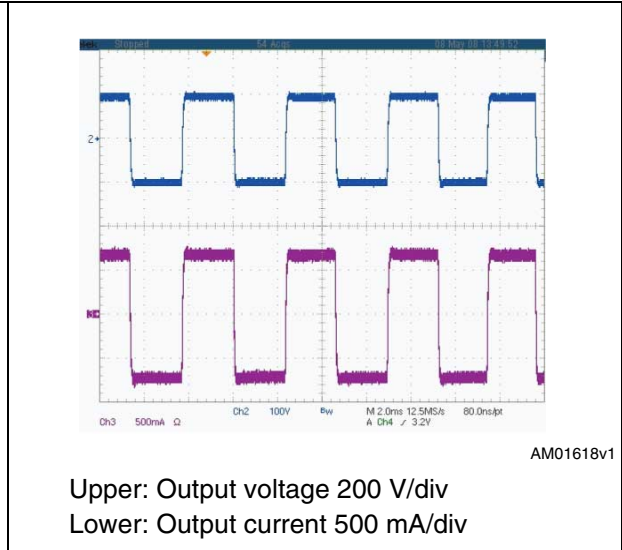


Figure 17. Load with 140 Ω in steady-state



[Figure 18](#) shows the input line voltage and current waveforms at 110 Vac and [Figure 19](#) for 220 Vac, both bench measurements show the AC input simultaneous waveform, the input current plot is very good and has extreme low distortion.

Figure 18. Steady-state at 110 Vac input

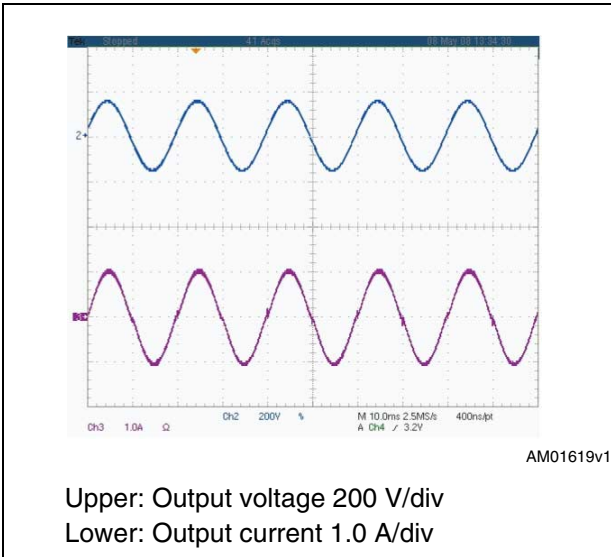
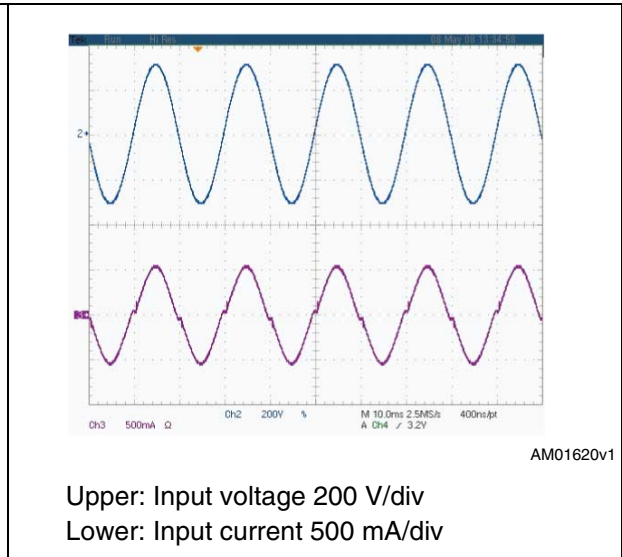


Figure 19. Steady-state at 220 Vac



In steady-state, the input power (P_{in}), output power (P_{out}), operating efficiency and power factor under 110 Vac and 220 Vac is shown in [Table 3](#). Obviously the efficiency is over 88% and the power factor is higher than 98%.

Table 3. Test results of power factor and efficiency

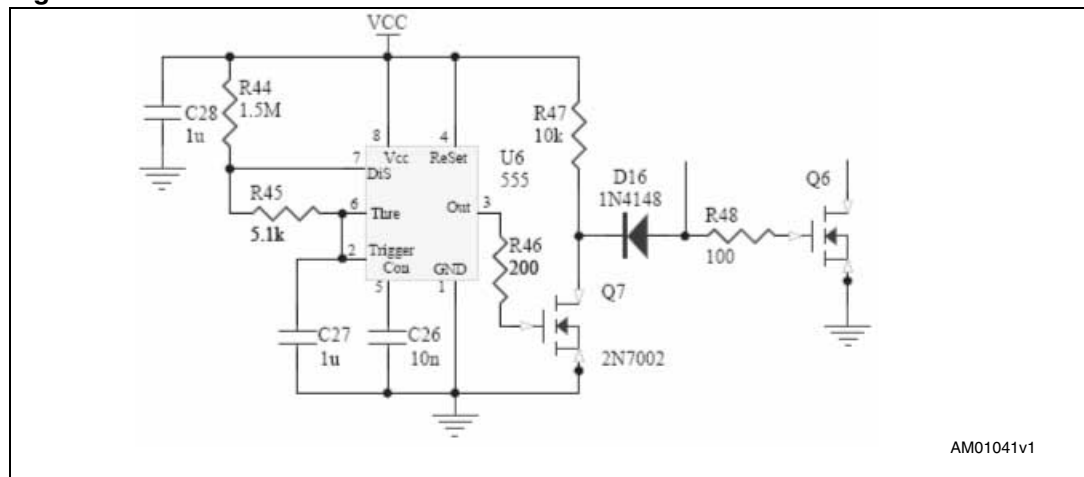
Conditions	Pin	Pout	Efficiency (Pout/Pin)	PF
	Watts	Watts	%	~
At 110 Vac	77.8	68.9	88.5	0.99
At 220 Vac	76.9	68.9	89.6	0.98

From [Section 2.3](#), we know that high voltage pulse generates continuously before it steps into steady-state. Once the HID lamp is in open-circuit or absent from the system board, there is no chance to step into steady-state. In such a condition, the ignition circuit is not only continuously generating high pulse voltage, but also the full bridge circuit is working at low frequency (about 200 Hz) as the output of U2 stays high before pin 4 of U2 detects a current signal.

To avoid a hazard from 3~5 kV on the system board while the HID lamp is in open-circuit or the HID lamp is absent from the system, the building of a timer to abort this high voltage pulse generation may be important.

If it is necessary to abort the high voltage pulse generation, a NE555 timer (see [Figure 20](#)) is used to set up a limited time (normally 5 minutes) to turn-off the circuit at the scheduled time, or apply an MCU in digital solutions. The microcontroller gives more flexible and precise time control compared to one with a simple hardware solution.

Figure 20. The timer circuit



AM01041v1

4.1 Test with HID lamp

The test was done at 220 Vac line input with a HID lamp at room temperature. The test lamp is a powerball HCI-T 70W/830 WDL from OSRAM. [Table 4](#) shows the test results. The input power for the 70 W HID lamp is 76.4 W and the power factor achieved is 0.98.

Table 4. Test results of power factor

Results Conditions	Vin	lin	Pin	PF
	Volts	Amperes	Watts	~
T _{AMB} = 25 °C	220	0.347	76.4	0.98

The lamp current during start up is shown in [Figure 21](#). The detail of warm-up current is shown in [Figure 22](#) and the steady-state current is shown in [Figure 23](#).

Figure 21. Lamp current during start up with HID lamp

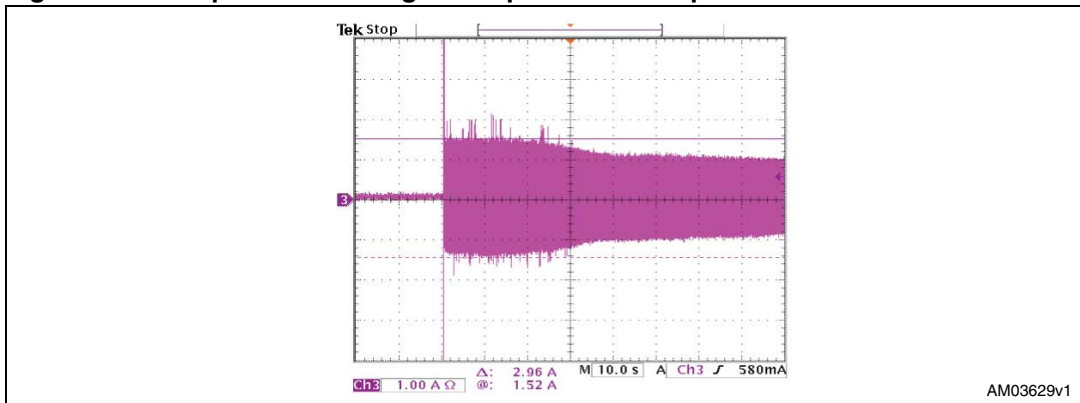
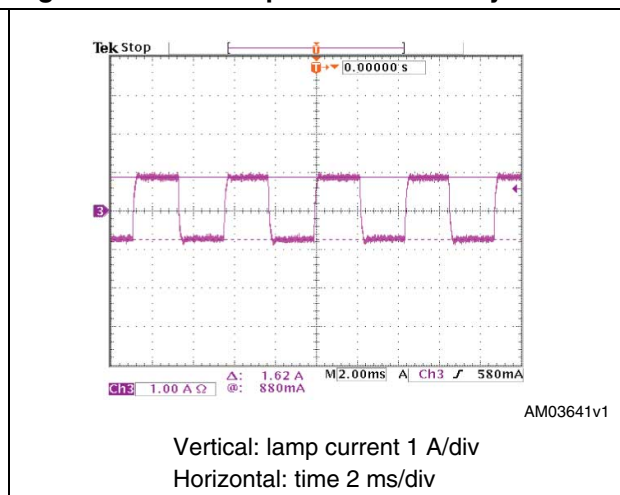
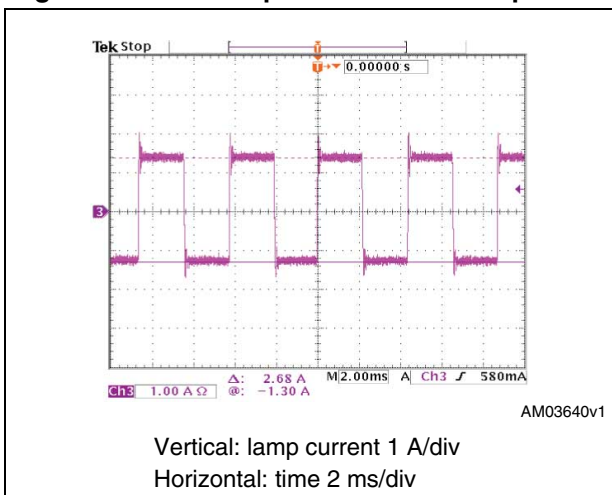


Figure 22. The lamp current in warm-up state **Figure 23. The lamp current in steady-state**



5 References

1. AN2747
2. L6562A datasheet
3. L6569 datasheet
4. L6385E datasheet
5. LIC01 datasheet
6. LM358 datasheet
7. STTH2L06 datasheet
8. STQ3NK50ZR datasheet
9. STP9NK50Z datasheet
10. STP15NM60ND datasheet
11. 2N7002 datasheet.

6 Revision history

Table 5. Document revision history

Date	Revision	Changes
13-May-2010	1	Initial release

Please Read Carefully:

Information in this document is provided solely in connection with ST products. STMicroelectronics NV and its subsidiaries ("ST") reserve the right to make changes, corrections, modifications or improvements, to this document, and the products and services described herein at any time, without notice.

All ST products are sold pursuant to ST's terms and conditions of sale.

Purchasers are solely responsible for the choice, selection and use of the ST products and services described herein, and ST assumes no liability whatsoever relating to the choice, selection or use of the ST products and services described herein.

No license, express or implied, by estoppel or otherwise, to any intellectual property rights is granted under this document. If any part of this document refers to any third party products or services it shall not be deemed a license grant by ST for the use of such third party products or services, or any intellectual property contained therein or considered as a warranty covering the use in any manner whatsoever of such third party products or services or any intellectual property contained therein.

UNLESS OTHERWISE SET FORTH IN ST'S TERMS AND CONDITIONS OF SALE ST DISCLAIMS ANY EXPRESS OR IMPLIED WARRANTY WITH RESPECT TO THE USE AND/OR SALE OF ST PRODUCTS INCLUDING WITHOUT LIMITATION IMPLIED WARRANTIES OF MERCHANTABILITY, FITNESS FOR A PARTICULAR PURPOSE (AND THEIR EQUIVALENTS UNDER THE LAWS OF ANY JURISDICTION), OR INFRINGEMENT OF ANY PATENT, COPYRIGHT OR OTHER INTELLECTUAL PROPERTY RIGHT.

UNLESS EXPRESSLY APPROVED IN WRITING BY AN AUTHORIZED ST REPRESENTATIVE, ST PRODUCTS ARE NOT RECOMMENDED, AUTHORIZED OR WARRANTED FOR USE IN MILITARY, AIR CRAFT, SPACE, LIFE SAVING, OR LIFE SUSTAINING APPLICATIONS, NOR IN PRODUCTS OR SYSTEMS WHERE FAILURE OR MALFUNCTION MAY RESULT IN PERSONAL INJURY, DEATH, OR SEVERE PROPERTY OR ENVIRONMENTAL DAMAGE. ST PRODUCTS WHICH ARE NOT SPECIFIED AS "AUTOMOTIVE GRADE" MAY ONLY BE USED IN AUTOMOTIVE APPLICATIONS AT USER'S OWN RISK.

Resale of ST products with provisions different from the statements and/or technical features set forth in this document shall immediately void any warranty granted by ST for the ST product or service described herein and shall not create or extend in any manner whatsoever, any liability of ST.

ST and the ST logo are trademarks or registered trademarks of ST in various countries.

Information in this document supersedes and replaces all information previously supplied.

The ST logo is a registered trademark of STMicroelectronics. All other names are the property of their respective owners.

© 2010 STMicroelectronics - All rights reserved

STMicroelectronics group of companies

Australia - Belgium - Brazil - Canada - China - Czech Republic - Finland - France - Germany - Hong Kong - India - Israel - Italy - Japan - Malaysia - Malta - Morocco - Philippines - Singapore - Spain - Sweden - Switzerland - United Kingdom - United States of America

www.st.com

