

Resistor-Programmable SOT Temperature Switches

Features

- $\pm 0.5^{\circ}\text{C}$ Typical Threshold Accuracy
- $\pm 3.5^{\circ}\text{C}$ (max) Threshold Accuracy (0°C to $+125^{\circ}\text{C}$)
- $\pm 3^{\circ}\text{C}$ Threshold Accuracy (60°C to $+100^{\circ}\text{C}$)
- Temperature Threshold Set by a 1% External Resistor
- Low $33\mu\text{A}$ Supply Current
- Open-Drain Active Low Output Stage
- Guaranteed Reset Valid to $V_{\text{CC}} = 0.8\text{V}$
- Pin-Selectable 10°C or 30°C Hysteresis
- SOT-23-5 Packages

Applications

- μP Temperature Monitoring in High-Speed Computers
- Temperature Control
- Temperature Alarms
- Fan Control
- Automotive

General Description

The G705 are fully integrated, resistor programmable temperature switches with thresholds set by an external resistor. They require only one external resistor to set the temperature threshold within a wide 0°C to $+125^{\circ}\text{C}$ temperature range. The G705 provides an open-drain, active low output. These switches operate with a $+4\text{V}$ to $+5.5\text{V}$ single supply while providing a temperature threshold accuracy of $\pm 0.5^{\circ}\text{C}$ (TYP) or $\pm 3.5^{\circ}\text{C}$ (MAX) or $\pm 3^{\circ}\text{C}$ (60°C to $+100^{\circ}\text{C}$). They typically consume $33\mu\text{A}$ supply current. Hysteresis is pin selectable to 10°C or 30°C .

The G705 are available in 5-pin SOT-23 packages.

Ordering Information

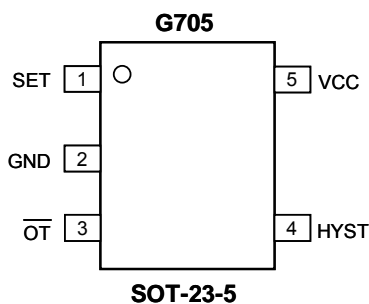
ORDER NUMBER	MARKING	TEMP. RANGE	PACKAGE (Green)
G705T11U	705xx	-40°C ~ $+125^{\circ}\text{C}$	SOT-23-5

Note:T1 : SOT-23-5

1: Bonding Code

U : Tape & Reel

Pin Configuration



Typical Application Circuit

