



LD-OEM1501

LD-OEM

2D LASER SCANNERS

SICK
Sensor Intelligence.



Ordering information

| Type | Part no. |
|------------|----------|
| LD-OEM1501 | 1060829 |

Other models and accessories → www.sick.com/LD-OEM



Detailed technical data

Features

| | |
|--|--|
| Version | Long Range |
| Field of application | Indoor |
| Light source | Infrared (905 nm) |
| Laser class | 1, eye-safe (EN/IEC 60825-1) |
| Aperture angle | 360° |
| Scanning frequency | 5 Hz ... 20 Hz |
| Angular resolution | 0.125°, 0.1875°, 0.25°, 0.375°, 0.5°, 0.75°, 1°, interlaced: 0.0625° |
| Operating range | 0.5 m ... 250 m |
| Max. range with 10 % reflectivity | 55 m |
| Fog correction | No |

Performance

| | |
|--------------------------------|-----------------------|
| Detectable object shape | Almost any |
| Systematic error | ± 10 mm ¹⁾ |
| Statistical error | 15 mm ¹⁾ |

¹⁾ Actual value depends on environmental conditions.

Interfaces

| | |
|---------------------------|------------------------------|
| Serial (RS-232) | ✓ |
| Data transmission rate | 19,200 Baud ... 115,200 Baud |
| Ethernet | ✓ |
| Data transmission rate | ≤ 100 Mbit/s |
| Protocol | TCP/IP |
| Switching outputs | 1 (digital) |
| Optical indicators | 4 LEDs (Status display) |

Mechanics/electronics

| | |
|------------------------------|---|
| Electrical connection | 3 x M12 male connector/female connector |
|------------------------------|---|

| | |
|-------------------------------|--------------------------|
| Operating voltage | 24 V DC, $\pm 15\%$ |
| Power consumption | 36 W |
| Housing | Aluminum die cast |
| Housing color | Light blue (RAL 5012) |
| Enclosure rating | IP 65 |
| Protection class | III |
| Weight | 2.4 kg |
| Dimensions (L x W x H) | 115 mm x 120 mm x 222 mm |

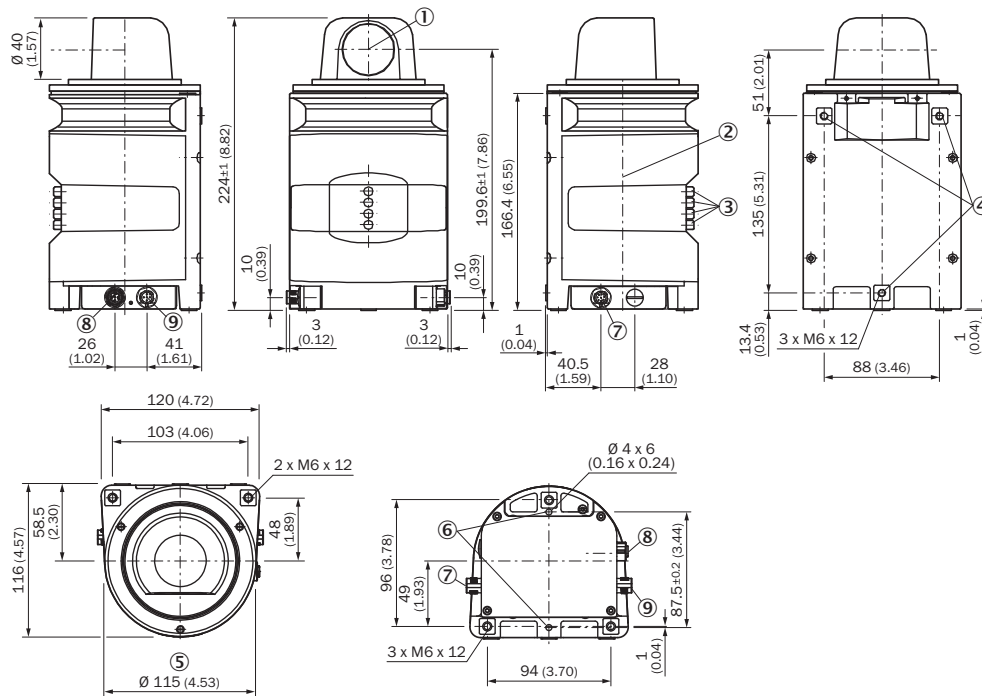
Ambient data

| | |
|--------------------------------------|----------------------|
| Ambient operating temperature | 0 °C ... +50 °C |
| Storage temperature | -20 °C ... +80 °C |
| Permissible relative humidity | 85 %, Non-condensing |

General notes

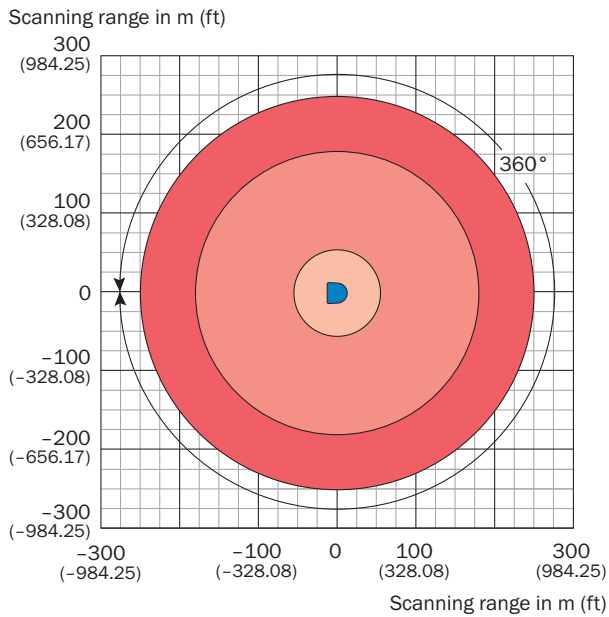
| | |
|--------------------|---------------------------------------|
| Note on use | Not suitable for personnel protection |
|--------------------|---------------------------------------|

Dimensional drawing (Dimensions in mm (inch))



- ① Optical axis
- ② Zero level
- ③ LED (from top: yellow, yellow, green, red)
- ④ Mounting hole M6 x 12
- ⑤ Rotating diameter
- ⑥ Aligning pin
- ⑦ RS-232 connection (M12 x 8, male connector)
- ⑧ Ethernet connection (M12 x 4, female connector)
- ⑨ Power supply connection (M12 x 5, male connector)




Operating range diagram



- Scanning range max. 250 m (820.21 ft)
- Scanning range white targets
90 % remission 180 m (590.55 ft)
- Scanning range for objects up to
10 % remission 55 m (180.45 ft)

Recommended accessories

Other models and accessories → www.sick.com/LD-OEM

| | Brief description | Type | Part no. |
|---|--|--------------------|----------|
| Power supply units and power cord connectors | | | |
|  | Power supply DC 24 V / 10 A | Power supply unit | 6020875 |
| Optics cloths | | | |
|  | Cloth for cleaning the front screen | Lens cloth | 4003353 |
| Test and monitoring tools | | | |
|  | Scan finder, receiver to localize infrared scans | Scan-Finder LS-80A | 6020756 |

SICK AT A GLANCE

SICK is one of the leading manufacturers of intelligent sensors and sensor solutions for industrial applications. A unique range of products and services creates the perfect basis for controlling processes securely and efficiently, protecting individuals from accidents and preventing damage to the environment.

We have extensive experience in a wide range of industries and understand their processes and requirements. With intelligent sensors, we can deliver exactly what our customers need. In application centers in Europe, Asia and North America, system solutions are tested and optimized in accordance with customer specifications. All this makes us a reliable supplier and development partner.

Comprehensive services complete our offering: SICK LifeTime Services provide support throughout the machine life cycle and ensure safety and productivity.

For us, that is “Sensor Intelligence.”

WORLDWIDE PRESENCE:

Contacts and other locations –www.sick.com