

15V, 200mA Synchronous Buck-Boost DC/DC Converter with 1.3 μ A Quiescent Current

FEATURES

- Regulates V_{OUT} Above, Below or Equal to V_{IN}
- Wide V_{IN} Range: 2.42V to 15V, 1.92V to 15V After Start-Up (Bootstrapped)
- Fixed Output Voltage with Eight User-Selectable Settings from 2.5V to 15V
- 200mA Output Current in Buck Mode
- Single Inductor
- 1.3 μ A Quiescent Current
- Programmable Maximum Power Point Control
- 1.2MHz Ultralow Noise PWM
- Current Mode Control
- Pin Selectable Burst Mode[®] Operation
- Up to 95% Efficiency
- Accurate RUN Pin Threshold
- Power Good Indicator
- 10nA Shutdown Current
- Thermally Enhanced 3mm \times 3mm QFN and 16-Lead MSOP Packages

APPLICATIONS

- Industrial Wireless Sensor Nodes
- Post-Regulator for Harvested Energy
- Solar Panel Post-Regulator/Charger
- Intrinsically Safe Power Supplies
- Wireless Microphones
- Avionics-Grade Wireless Headsets

DESCRIPTION

The LTC[®]3129-1 is a high efficiency, 200mA buck-boost DC/DC converter with a wide V_{IN} and V_{OUT} range. It includes an accurate RUN pin threshold to allow predictable regulator turn-on and a maximum power point control (MPPC) capability that ensures maximum power extraction from non-ideal power sources such as photovoltaic panels.

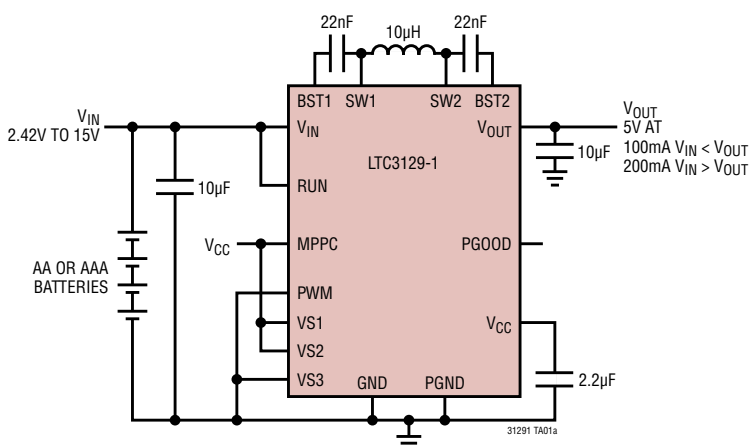
The LTC3129-1 employs an ultralow noise, 1.2MHz PWM switching architecture that minimizes solution footprint by allowing the use of tiny, low profile inductors and ceramic capacitors. Built-in loop compensation and soft-start simplify the design. For high efficiency operation at light loads, automatic Burst Mode operation can be selected, reducing the quiescent current to just 1.3 μ A. To further reduce part count and improve light load efficiency, the LTC3129-1 includes an internal voltage divider to provide eight selectable fixed output voltages.

Additional features include a power good output, less than 10nA of shutdown current and thermal shutdown.

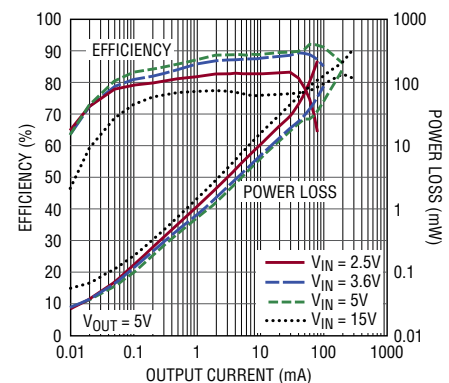
The LTC3129-1 is available in thermally enhanced 3mm \times 3mm QFN and 16-lead MSOP packages. For an adjustable output voltage, see the functionally equivalent LTC3129.

LT, LT, LTC, LTM, Linear Technology, the Linear logo and Burst Mode are registered trademarks of Linear Technology Corporation. All other trademarks are the property of their respective owners.

TYPICAL APPLICATION



Efficiency and Power Loss vs Load



31291fb

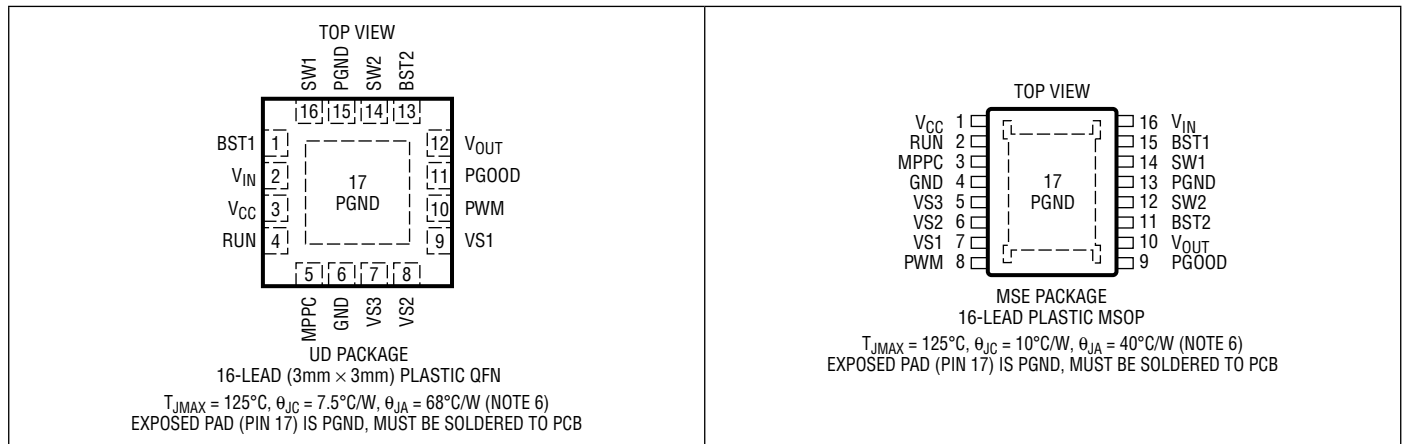
LTC3129-1

ABSOLUTE MAXIMUM RATINGS

(Notes 1, 8)

V_{IN} , V_{OUT} Voltages	-0.3V to 18V	V_{CC} , PWM, MPPC, VS1, VS2,	
SW1 DC Voltage.....	-0.3V to ($V_{IN} + 0.3V$)	VS3 Voltages	-0.3V to 6V
SW2 DC Voltage.....	-0.3V to ($V_{OUT} + 0.3V$)	PGOOD Sink Current.....	15mA
SW1, SW2 Pulsed (<100ns) Voltage	-1V to 19V	Operating Junction Temperature Range	
BST1 Voltage	(SW1 - 0.3V) to (SW1 + 6V)	(Notes 2, 5).....	-40°C to 125°C
BST2 Voltage	(SW2 - 0.3V) to (SW2 + 6V)	Storage Temperature Range	-65°C to 150°C
RUN, PGOOD Voltage.....	-0.3V to 18V	MSE Lead Temperature (Soldering, 10 sec)	300°C

PIN CONFIGURATION



ORDER INFORMATION

LEAD FREE FINISH	TAPE AND REEL	PART MARKING*	PACKAGE DESCRIPTION	TEMPERATURE RANGE
LTC3129EUD-1#PBF	LTC3129EUD-1#TRPBF	LGDS	16-Lead (3mm × 3mm) Plastic QFN	-40°C to 125°C
LTC3129IUD-1#PBF	LTC3129IUD-1#TRPBF	LGDS	16-Lead (3mm × 3mm) Plastic QFN	-40°C to 125°C
LTC3129EMSE-1#PBF	LTC3129EMSE-1#TRPBF	31291	16-Lead Plastic MSOP	-40°C to 125°C
LTC3129IMSE-1#PBF	LTC3129IMSE-1#TRPBF	31291	16-Lead Plastic MSOP	-40°C to 125°C

Consult LTC Marketing for parts specified with wider operating temperature ranges. *The temperature grade is identified by a label on the shipping container. Consult LTC Marketing for information on non-standard lead based finish parts.

For more information on lead free part marking, go to: <http://www.linear.com/leadfree/>

For more information on tape and reel specifications, go to: <http://www.linear.com/tapeandreeel/>

ELECTRICAL CHARACTERISTICS

The ● denotes the specifications which apply over the specified operating junction temperature range, otherwise specifications are at $T_A = 25^\circ\text{C}$ (Note 2). Unless otherwise noted, $V_{IN} = 12\text{V}$, $V_{OUT} = 5\text{V}$.

PARAMETER	CONDITIONS		MIN	TYP	MAX	UNITS
V_{IN} Start-Up Voltage		●		2.25	2.42	V
Input Voltage Range	$V_{CC} > 2.42\text{V}$ (Back-Driven)	●	1.92		15	V
V_{IN} UVLO Threshold (Rising)	$V_{CC} > 2.42\text{V}$ (Back-Driven)	●	1.8	1.9	2.0	V
V_{IN} UVLO Hysteresis		●	80	100	130	mV
V_{OUT} Voltages	$VS1 = VS2 = VS3 = 0\text{V}$	●	2.425	2.5	2.575	V
	$VS1 = V_{CC}$, $VS2 = VS3 = 0\text{V}$	●	3.2175	3.3	3.383	V
	$VS2 = V_{CC}$, $VS1 = VS3 = 0\text{V}$	●	3.998	4.1	4.203	V
	$VS1 = VS2 = V_{CC}$, $VS3 = 0\text{V}$	●	4.875	5.0	5.125	V
	$VS1 = VS2 = 0\text{V}$, $VS3 = V_{CC}$	●	6.727	6.9	7.073	V
	$VS2 = 0\text{V}$, $VS1 = VS3 = V_{CC}$	●	7.995	8.2	8.405	V
	$VS1 = 0\text{V}$, $VS2 = VS3 = V_{CC}$	●	11.64	12	12.40	V
	$VS1 = VS2 = VS3 = V_{CC}$	●	14.50	15.0	15.50	V
Quiescent Current (V_{IN}) – Shutdown	$\text{RUN} = 0\text{V}$, Including Switch Leakage			10	100	nA
Quiescent Current (V_{IN}) UVLO	Either V_{IN} or V_{CC} Below Their UVLO Threshold, or RUN Below the Threshold to Enable Switching			1.9	3	μA
Quiescent Current – Burst Mode Operation	Measured on V_{IN} , $V_{OUT} > V_{REG}$ $\text{PWM} = 0\text{V}$, $\text{RUN} = V_{IN}$			1.3	2.0	μA
N-Channel Switch Leakage on V_{IN} and V_{OUT}	$\text{SW1} = 0\text{V}$, $V_{IN} = 15\text{V}$ $\text{SW2} = 0\text{V}$, $V_{OUT} = 15\text{V}$ $\text{RUN} = 0\text{V}$			10	50	nA
N-Channel Switch On-Resistance	$V_{CC} = 4\text{V}$			0.75		Ω
Inductor Average Current Limit	$V_{OUT} > \text{UV Threshold}$ (Note 4)	●	220	275	350	mA
	$V_{OUT} < \text{UV Threshold}$ (Note 4)	●	80	130	200	mA
Inductor Peak Current Limit	(Note 4)	●	400	500	680	mA
Maximum Boost Duty Cycle	$V_{OUT} < V_{REG}$ as Set by $VS1$ - $VS3$. Percentage of Period SW2 is Low in Boost Mode (Note 7)	●	85	89	95	%
Minimum Duty Cycle	$V_{OUT} > V_{REG}$ as Set by $VS1$ - $VS3$. Percentage of Period SW1 is High in Buck Mode (Note 7)	●			0	%
Switching Frequency	$\text{PWM} = V_{CC}$	●	1.0	1.2	1.4	MHz
SW1 and SW2 Minimum Low Time	(Note 3)			90		ns
MPPC Voltage		●	1.12	1.175	1.22	V
MPPC Input Current	MPPC = 5V			1	10	nA
RUN Threshold to Enable V_{CC}		●	0.5	0.9	1.15	V
RUN Threshold to Enable Switching (Rising)	$V_{CC} > 2.4\text{V}$	●	1.16	1.22	1.28	V
RUN (Switching) Threshold Hysteresis			50	80	120	mV
RUN Input Current	$\text{RUN} = 15\text{V}$			1	10	nA
$VS1$, $VS2$, $VS3$ Input High		●	1.2			V
$VS1$, $VS2$, $VS3$ Input Low		●			0.4	V
$VS1$, $VS2$, $VS3$ Input Current	$VS1$, $VS2$, $VS3 = V_{CC} = 5\text{V}$			1	10	nA
PWM Input High		●	1.6			V
PWM Input Low		●			0.5	V
PWM Input Current	$\text{PWM} = 5\text{V}$			0.1	1	μA
Soft-Start Time				3		ms
V_{CC} Voltage	$V_{IN} > 4.85\text{V}$	●	3.4	4.1	4.7	V
V_{CC} Dropout Voltage ($V_{IN} - V_{CC}$)	$V_{IN} = 3.0\text{V}$, Switching			35	60	mV
	$V_{IN} = 2.0\text{V}$ (V_{CC} in UVLO)			0	2	mV

ELECTRICAL CHARACTERISTICS

The ● denotes the specifications which apply over the specified operating junction temperature range, otherwise specifications are at $T_A = 25^\circ\text{C}$ (Note 2). Unless otherwise noted, $V_{IN} = 12\text{V}$, $V_{OUT} = 5\text{V}$.

PARAMETER	CONDITIONS		MIN	TYP	MAX	UNITS
V_{CC} UVLO Threshold (Rising)		●	2.1	2.25	2.42	V
V_{CC} UVLO Hysteresis				60		mV
V_{CC} Current Limit	$V_{CC} = 0\text{V}$	●	4	20	40	mA
V_{CC} Back-Drive Voltage (Maximum)		●			5.5	V
V_{CC} Input Current (Back-Driven)	$V_{CC} = 5.5\text{V}$ (Switching)			2	4	mA
V_{CC} Leakage to V_{IN} if $V_{CC} > V_{IN}$	$V_{CC} = 5.5\text{V}$, $V_{IN} = 1.8\text{V}$, Measured on V_{IN}			-27		μA
V_{OUT} UV Threshold (Rising)		●	0.95	1.15	1.35	V
V_{OUT} UV Hysteresis				150		mV
V_{OUT} Current – Shutdown	$\text{RUN} = 0\text{V}$, $V_{OUT} = 15\text{V}$ Including Switch Leakage			10	100	nA
V_{OUT} Current – Sleep	$\text{PWM} = 0\text{V}$, $V_{OUT} \geq V_{REG}$			$V_{OUT}/27$		μA
V_{OUT} Current – Active	$\text{PWM} = V_{CC}$, $V_{OUT} = 15\text{V}$ (Note 4)			5	9	μA
PGOOD Threshold, Falling	Referenced to Programmed V_{OUT} Voltage		-5.5	-7.5	-10	%
PGOOD Hysteresis	Referenced to Programmed V_{OUT} Voltage			2.5		%
PGOOD Voltage Low	$I_{SINK} = 1\text{mA}$			250	300	mV
PGOOD Leakage	PGOOD = 15V			1	50	nA

Note 1: Stresses beyond those listed under Absolute Maximum Ratings may cause permanent damage to the device. Exposure to any Absolute Maximum Rating condition for extended periods may affect device reliability and lifetime.

Note 2: The LTC3129-1 is tested under pulsed load conditions such that $T_J \approx T_A$. The LTC3129E-1 is guaranteed to meet specifications from 0°C to 85°C junction temperature. Specifications over the -40°C to 125°C operating junction temperature range are assured by design, characterization and correlation with statistical process controls. The LTC3129I-1 is guaranteed over the full -40°C to 125°C operating junction temperature range. The junction temperature (T_J , in $^\circ\text{C}$) is calculated from the ambient temperature (T_A , in $^\circ\text{C}$) and power dissipation (P_D , in watts) according to the formula:

$$T_J = T_A + (P_D \cdot \theta_{JA}),$$

where θ_{JA} (in $^\circ\text{C}/\text{W}$) is the package thermal impedance.

Note that the maximum ambient temperature consistent with these specifications is determined by specific operating conditions in conjunction with board layout, the rated thermal package thermal resistance and other environmental factors.

Note 3: Specification is guaranteed by design and not 100% tested in production.

Note 4: Current measurements are made when the output is not switching.

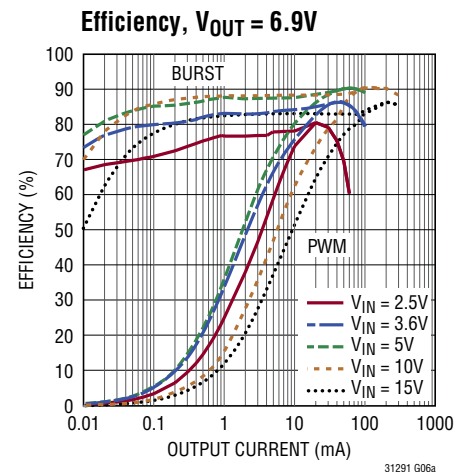
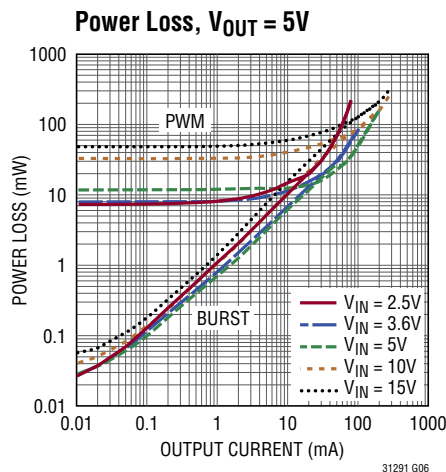
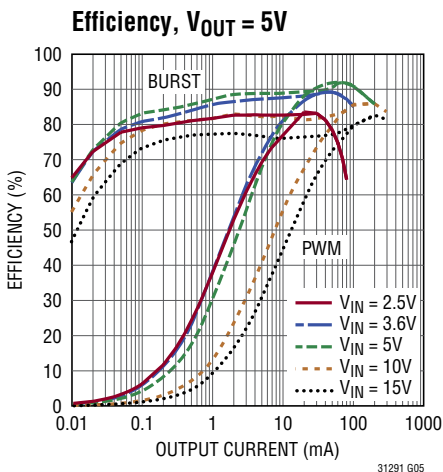
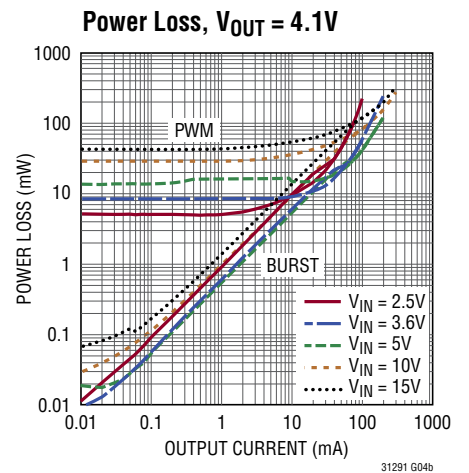
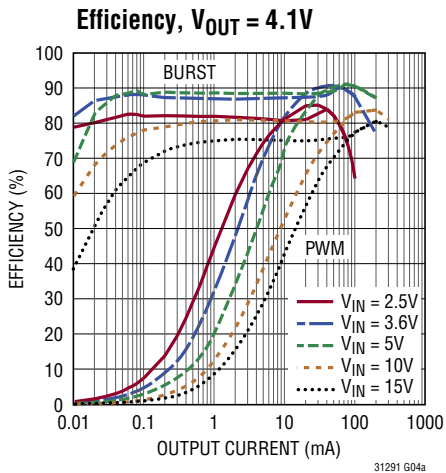
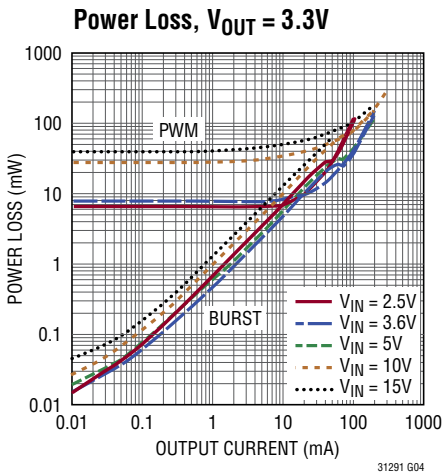
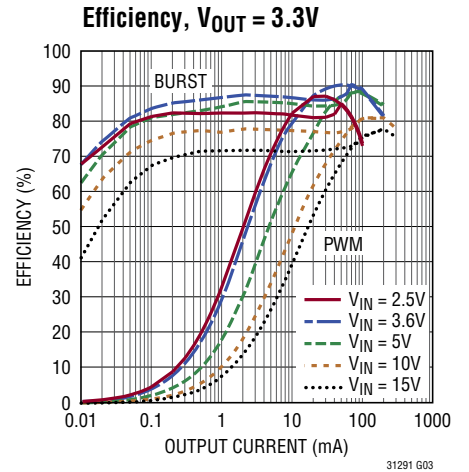
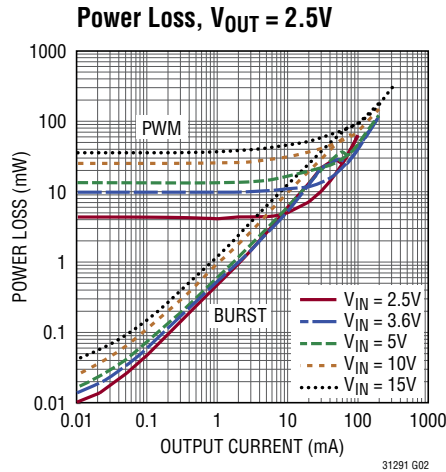
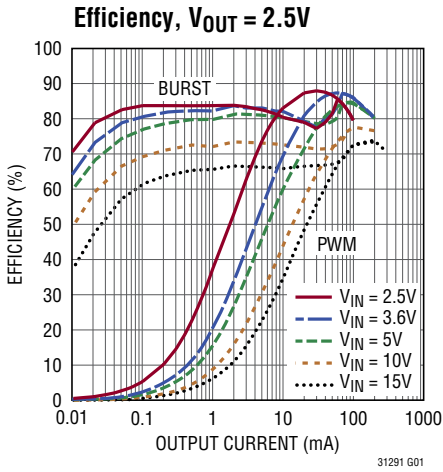
Note 5: This IC includes overtemperature protection that is intended to protect the device during momentary overload conditions. Junction temperature will exceed 125°C when overtemperature protection is active. Continuous operation above the specified maximum operating junction temperature may result in device degradation or failure.

Note 6: Failure to solder the exposed backside of the package to the PC board ground plane will result in a much higher thermal resistance.

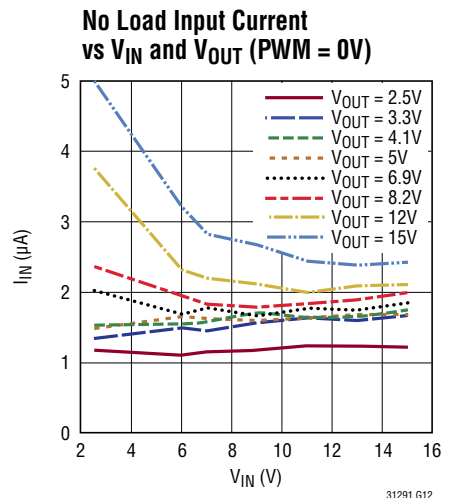
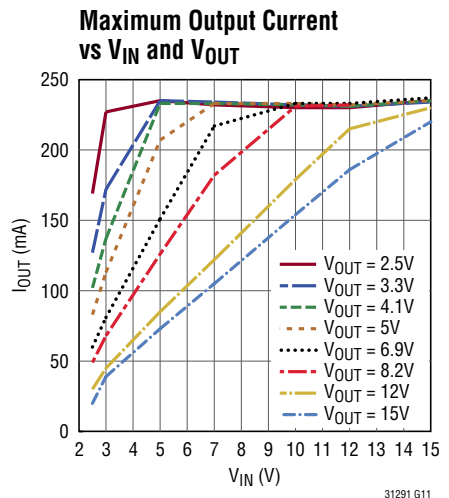
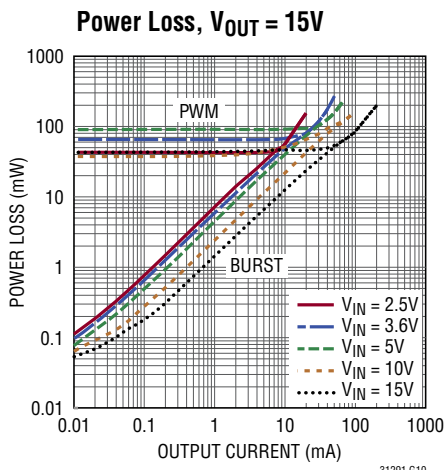
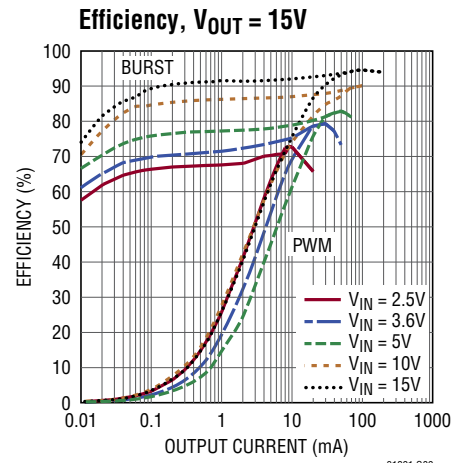
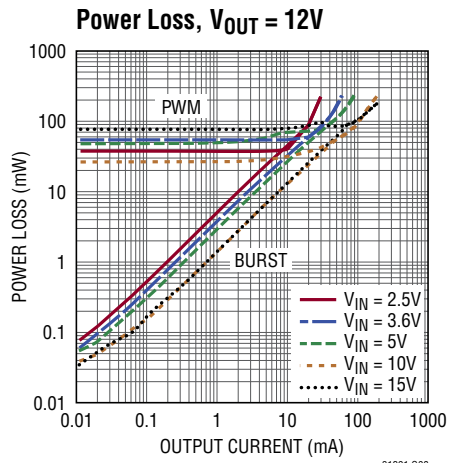
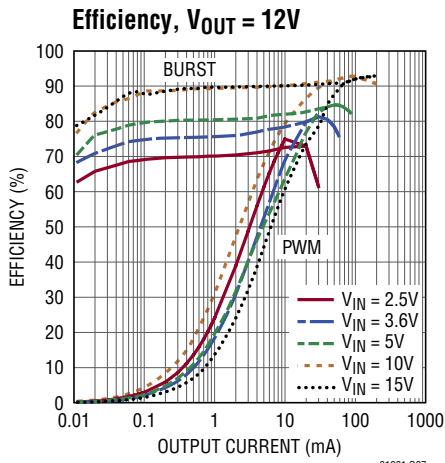
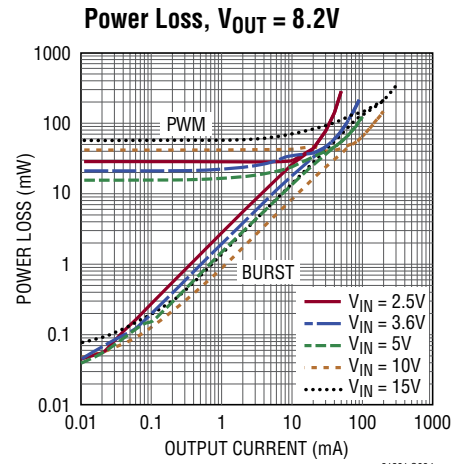
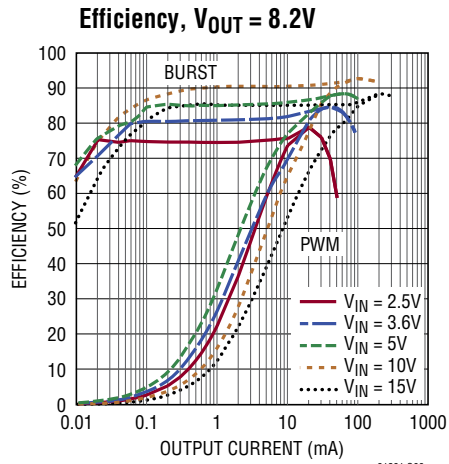
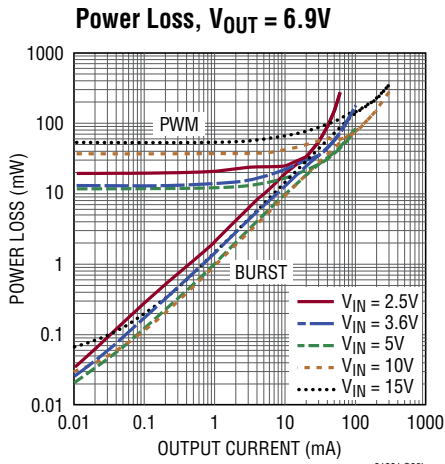
Note 7: Switch timing measurements are made in an open-loop test configuration. Timing in the application may vary somewhat from these values due to differences in the switch pin voltage during non-overlap durations when switch pin voltage is influenced by the magnitude and duration of the inductor current.

Note 8: Voltage transients on the switch pin(s) beyond the DC limits specified in the Absolute Maximum Ratings are non-disruptive to normal operation when using good layout practices as described elsewhere in the data sheet and Application Notes and as seen on the product demo board.

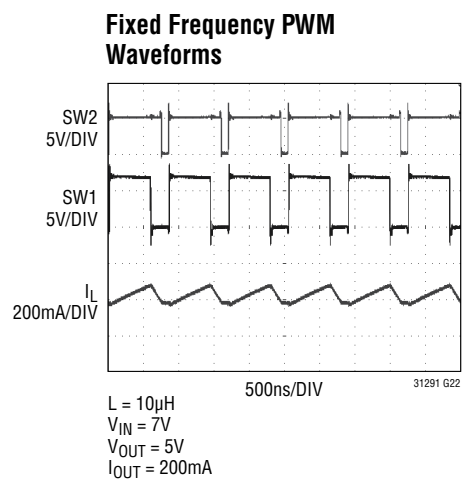
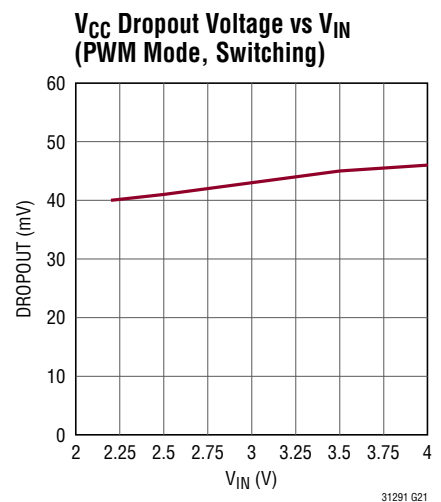
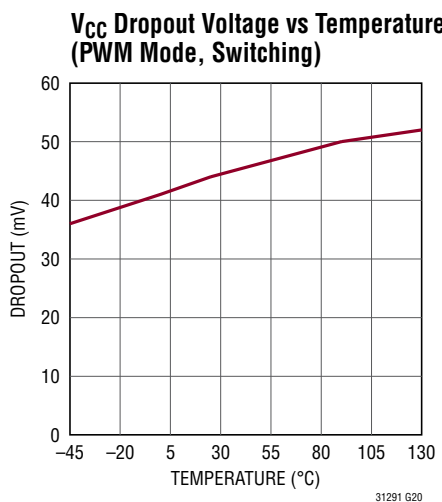
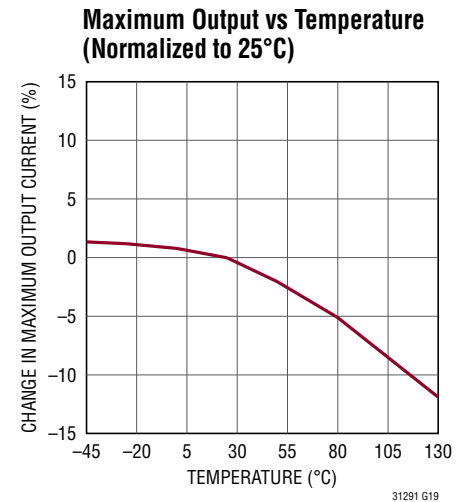
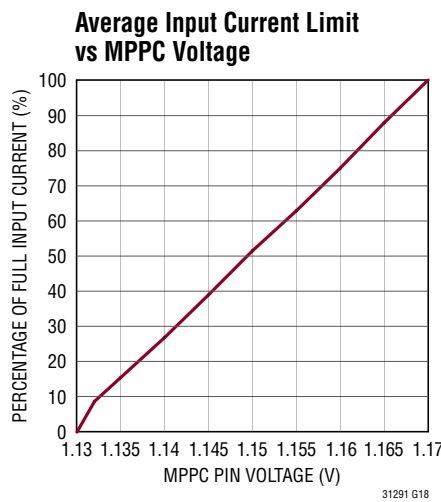
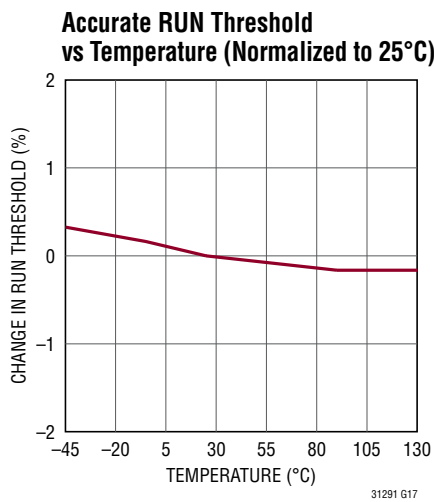
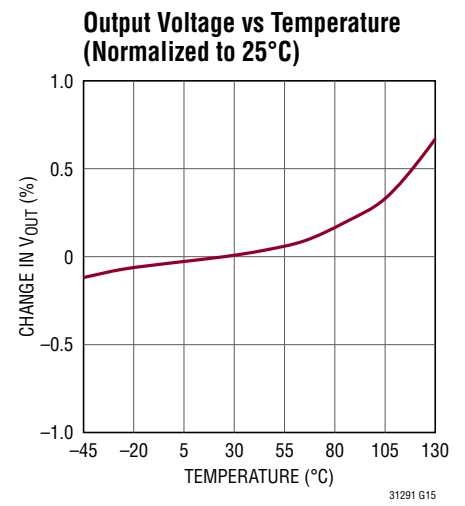
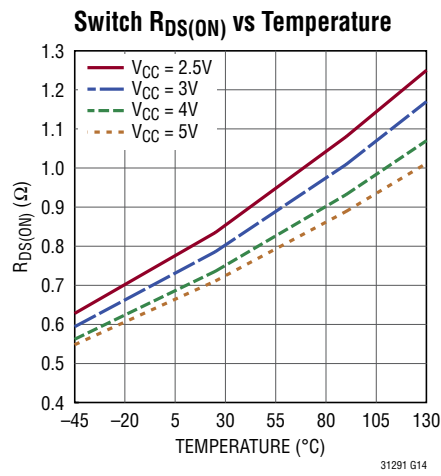
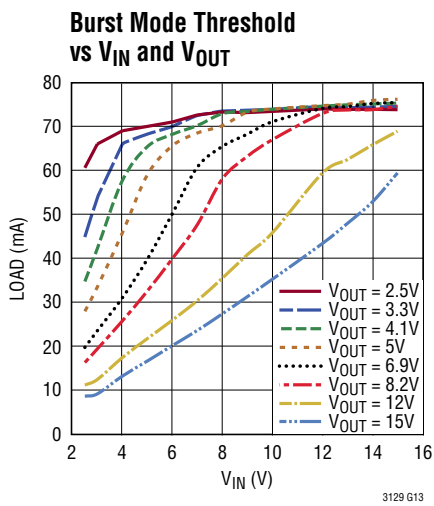
TYPICAL PERFORMANCE CHARACTERISTICS $T_A = 25^\circ\text{C}$, unless otherwise noted.



TYPICAL PERFORMANCE CHARACTERISTICS $T_A = 25^\circ\text{C}$, unless otherwise noted.

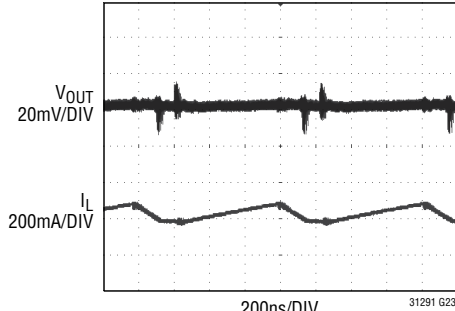


TYPICAL PERFORMANCE CHARACTERISTICS $T_A = 25^\circ\text{C}$, unless otherwise noted.



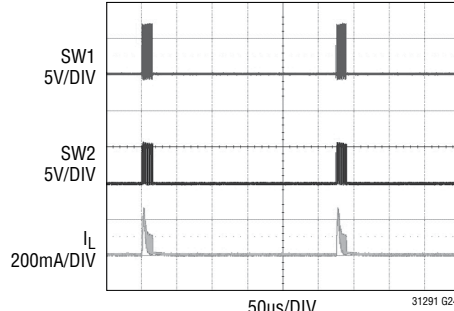
TYPICAL PERFORMANCE CHARACTERISTICS $T_A = 25^\circ\text{C}$, unless otherwise noted.

Fixed Frequency Ripple on V_{OUT}



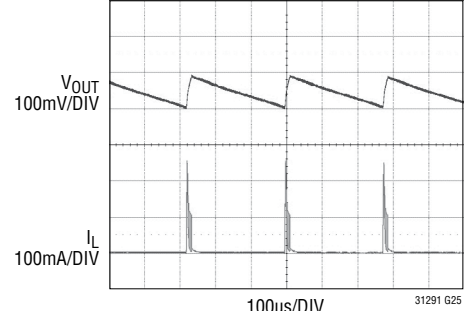
$L = 10\mu\text{H}$
 $V_{IN} = 7\text{V}$
 $V_{OUT} = 5\text{V}$
 $I_{OUT} = 200\text{mA}$
 $C_{OUT} = 10\mu\text{F}$

Burst Mode Waveforms



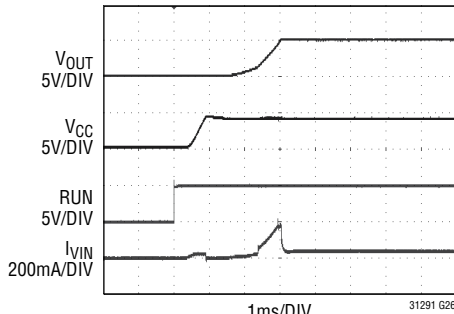
$L = 10\mu\text{H}$
 $V_{IN} = 7\text{V}$
 $V_{OUT} = 5\text{V}$
 $I_{OUT} = 5\text{mA}$
 $C_{OUT} = 22\mu\text{F}$

Burst Mode Ripple on V_{OUT}



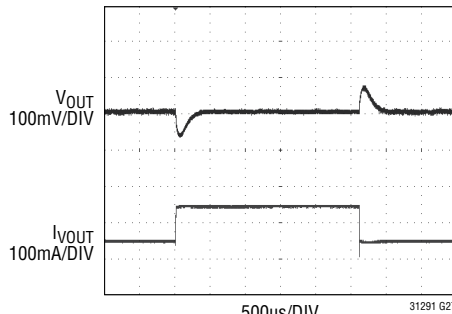
$L = 10\mu\text{H}$
 $V_{IN} = 7\text{V}$
 $V_{OUT} = 5\text{V}$
 $I_{OUT} = 5\text{mA}$
 $C_{OUT} = 22\mu\text{F}$

Start-Up Waveforms



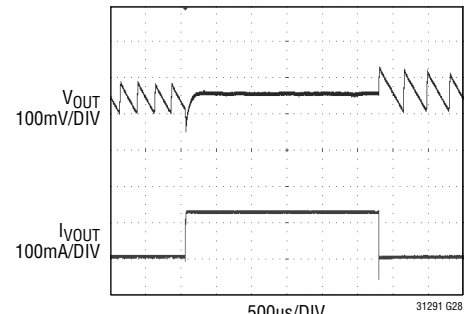
$V_{IN} = 7\text{V}$
 $V_{OUT} = 5\text{V}$
 $I_{OUT} = 50\text{mA}$
 $C_{OUT} = 22\mu\text{F}$

Step Load Transient Response in Fixed Frequency



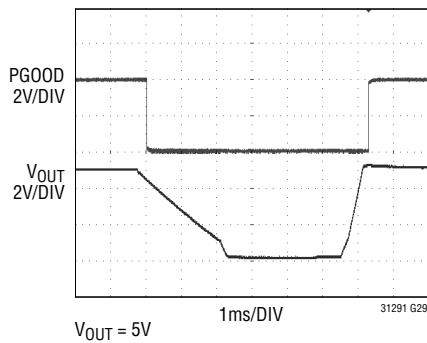
$L = 10\mu\text{H}$
 $V_{IN} = 7\text{V}$
 $V_{OUT} = 5\text{V}$
 $C_{OUT} = 10\mu\text{F}$
 $I_{OUT} = 50\text{mA}$ to 150mA STEP

Step Load Transient Response in Burst Mode Operation



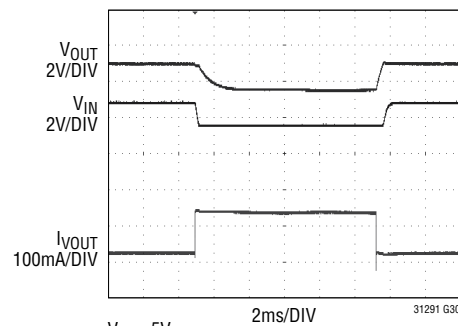
$L = 10\mu\text{H}$
 $V_{IN} = 7\text{V}$
 $V_{OUT} = 5\text{V}$
 $C_{OUT} = 22\mu\text{F}$
 $I_{OUT} = 5\text{mA}$ to 125mA STEP

PGOOD Response to a Drop On V_{OUT}



$V_{OUT} = 5\text{V}$

MPPC Response to a Step Load



$V_{IN} = 5V_{OC}$
 V_{MPPC} SET TO 3.5V
 $C_{IN} = 22\mu\text{F}$ $R_{IN} = 10\Omega$
 $V_{OUT} = 5\text{V}$, $C_{OUT} = 22\mu\text{F}$
 $I_{OUT} = 25\text{mA}$ to 125mA STEP

PIN FUNCTIONS (QFN/MSOP)

BST1 (Pin 1/Pin 15): Boot-Strapped Floating Supply for High Side NMOS Gate Drive. Connect to SW1 through a 22nF capacitor, as close to the part as possible. The value is not critical. Any value from 4.7nF to 47nF may be used.

V_{IN} (Pin 2/Pin 16): Input Voltage for the Converter. Connect a minimum of 4.7μF ceramic decoupling capacitor from this pin to the ground plane, as close to the pin as possible.

V_{CC} (Pin 3/Pin 1): Output Voltage of the Internal Voltage Regulator. This is the supply pin for the internal circuitry. Bypass this output with a minimum of 2.2μF ceramic capacitor close to the pin. This pin may be back-driven by an external supply, up to a maximum of 5.5V.

RUN (Pin 4/Pin 2): Input to the Run Comparator. Pull this pin above 1.1V to enable the V_{CC} regulator and above 1.28V to enable the converter. Connecting this pin to a resistor divider from V_{IN} to ground allows programming a V_{IN} start threshold higher than the 1.8V (typical) V_{IN} UVLO threshold. In this case, the typical V_{IN} turn-on threshold is determined by $V_{IN} = 1.22V \cdot [1 + (R3/Pin\ R4)]$ (see Figure 2).

MPPC (Pin 5/Pin 3): Maximum Power Point Control Programming Pin. Connect this pin to a resistor divider from V_{IN} to ground to enable the MPPC functionality. If the V_{OUT} load is greater than what the power source can provide, the MPPC will reduce the inductor current to regulate V_{IN} to a voltage determined by: $V_{IN} = 1.175V \cdot [1 + (R5/R6)]$ (see Figure 3). By setting the V_{IN} regulation voltage appropriately, maximum power transfer from the limited source is assured. Note this pin is very noise sensitive, therefore minimize trace length and stray capacitance. Please refer to the Applications Information section for more detail on programming the MPPC for different sources. If this function is not needed, tie the pin to V_{CC}.

GND (Pin 6/Pin 4): Signal Ground. Provide a short direct PCB path between GND and the ground plane where the exposed pad is soldered.

VS3 (Pin 7/Pin 5): Output Voltage Select Pin. Connect this pin to ground or V_{CC} to program the output voltage (see Table 1). This pin should not float or go below ground. If this pin is externally driven above V_{CC}, a 1M resistor should be added in series.

VS2 (Pin 8/Pin 6): Output Voltage Select Pin. Connect this pin to ground or V_{CC} to program the output voltage (see Table 1). This pin should not float or go below ground.

VS1 (Pin 9/Pin 7): Output Voltage Select Pin. Connect this pin to ground or V_{CC} to program the output voltage (see Table 1). This pin should not float or go below ground.

PWM (Pin 10/Pin 8): Mode Select Pin.

PWM = Low (ground): Enables automatic Burst Mode operation.

PWM = High (tie to V_{CC}): Fixed frequency PWM operation.

This pin should not be allowed to float. It has internal 5M pull-down resistor.

PGOOD (Pin 11/Pin 9): Open drain output that pulls to ground when FB drops too far below its regulated voltage. Connect a pull-up resistor from this pin to a positive supply. This pin can sink up to the absolute maximum rating of 15mA when low. Refer to the Operation section of the data sheet for more detail.

V_{OUT} (Pin 12/Pin 10): Output voltage of the converter, set by the VS1-VS3 programming pins according to Table 1. Connect a minimum value of 4.7μF ceramic capacitor from this pin to the ground plane, as close to the pin as possible.

BST2 (Pin 13/Pin 11): Boot-Strapped Floating Supply for High Side NMOS Gate Drive. Connect to SW2 through a 22nF capacitor, as close to the part as possible. The value is not critical. Any value from 4.7nF to 47nF may be used.

SW2 (Pin 14/Pin 12): Switch Pin. Connect to one side of the inductor. Keep PCB trace lengths as short and wide as possible to reduce EMI.

PIN FUNCTIONS (QFN/MSOP)

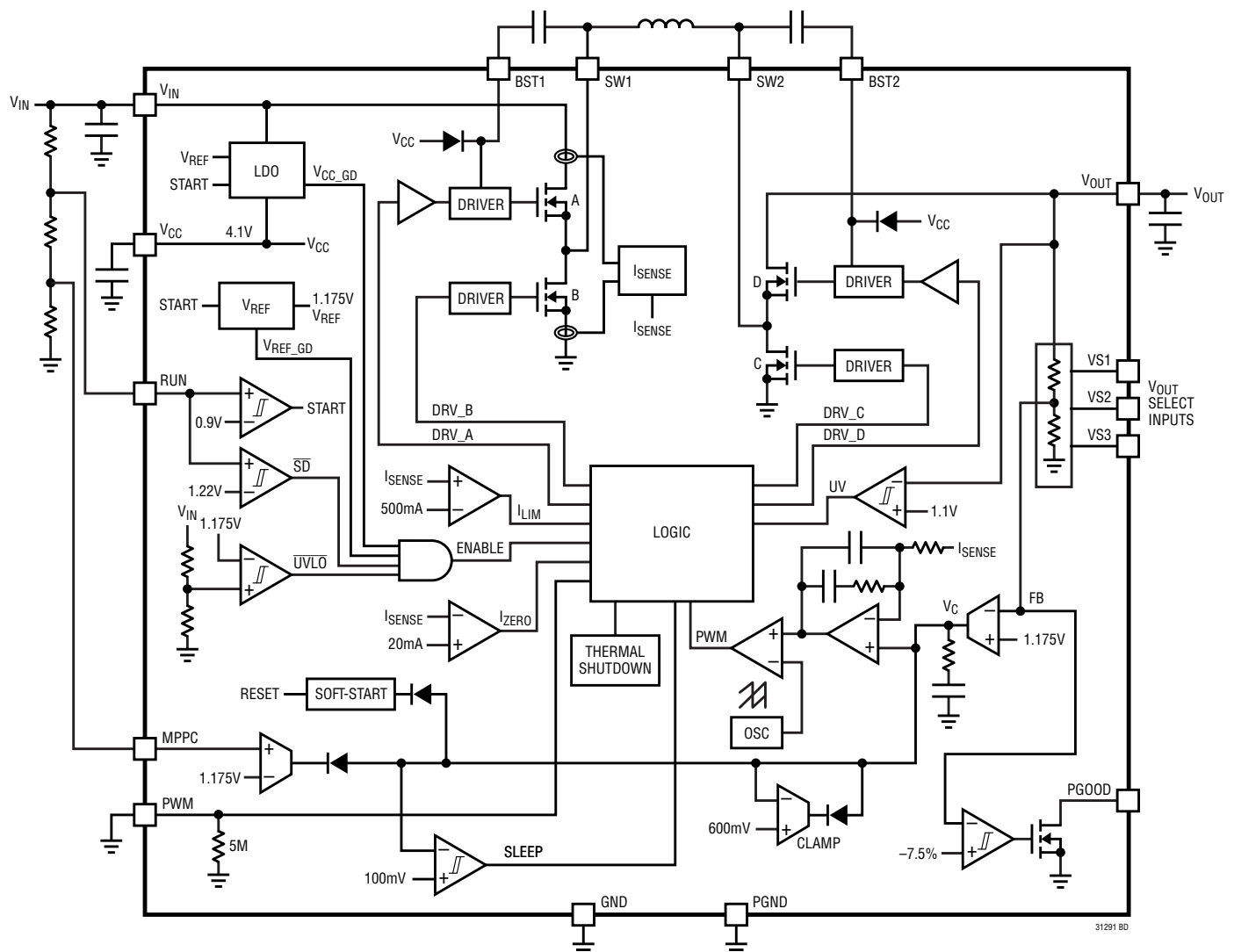
PGND (Pin 15/Pin 13, Exposed Pad Pin 17/Pin 17): Power Ground. Provide a short direct PCB path between PGND and the ground plane. **The exposed pad must also be soldered to the PCB ground plane.** It serves as a power ground connection, and as a means of conducting heat away from the die.

SW1 (Pin 16/Pin 14): Switch Pin. Connect to one side of the inductor. Keep PCB trace lengths as short and wide as possible to reduce EMI.

Table 1. V_{OUT} Program Settings

VS3 PIN	VS2 PIN	VS1 PIN	V_{OUT}
0	0	0	2.5V
0	0	V_{CC}	3.3V
0	V_{CC}	0	4.1V
0	V_{CC}	V_{CC}	5V
V_{CC}	0	0	6.9V
V_{CC}	0	V_{CC}	8.2V
V_{CC}	V_{CC}	0	12V
V_{CC}	V_{CC}	V_{CC}	15V

BLOCK DIAGRAM



31291 BD

OPERATION

INTRODUCTION

The LTC3129-1 is a 1.3 μ A quiescent current, monolithic, current mode, buck-boost DC/DC converter that can operate over a wide input voltage range of 1.92V to 15V and provide up to 200mA to the load. Eight fixed, user-programmable output voltages can be selected using the three digital programming pins. Internal, low $R_{DS(ON)}$ N-channel power switches reduce solution complexity and maximize efficiency. A proprietary switch control algorithm allows the buck-boost converter to maintain output voltage regulation with input voltages that are above, below or equal to the output voltage. Transitions between the step-up or step-down operating modes are seamless and free of transients and sub-harmonic switching, making this product ideal for noise sensitive applications. The LTC3129-1 operates at a fixed nominal switching frequency of 1.2MHz, which provides an ideal trade-off between small solution size and high efficiency. Current mode control provides inherent input line voltage rejection, simplified compensation and rapid response to load transients.

Burst Mode capability is also included in the LTC3129-1 and is user-selected via the PWM input pin. In Burst Mode operation, the LTC3129-1 provides exceptional efficiency at light output loading conditions by operating the converter only when necessary to maintain voltage regulation. The Burst Mode quiescent current is a miserly 1.3 μ A. At higher loads, the LTC3129-1 automatically switches to fixed frequency PWM mode when Burst Mode operation is selected. (Please refer to the Typical Performance Characteristic curves for the mode transition point at different input and output voltages). If the application requires extremely low noise, continuous PWM operation can also be selected via the PWM pin.

A MPPC (maximum power point control) function is also provided that allows the input voltage to the converter to be servo'd to a programmable point for maximum power when operating from various non-ideal power sources such as photovoltaic cells. The LTC3129-1 also features an accurate RUN comparator threshold with hysteresis, allowing the buck-boost DC/DC converter to turn on and off at user-selected V_{IN} voltage thresholds. With a wide

voltage range, 1.3 μ A Burst Mode current and programmable RUN and MPPC pins, the LTC3129-1 is well suited for many diverse applications.

PWM MODE OPERATION

If the PWM pin is high or if the load current on the converter is high enough to command PWM mode operation with PWM low, the LTC3129-1 operates in a fixed 1.2MHz PWM mode using an internally compensated average current mode control loop. PWM mode minimizes output voltage ripple and yields a low noise switching frequency spectrum. A proprietary switching algorithm provides seamless transitions between operating modes and eliminates discontinuities in the average inductor current, inductor ripple current and loop transfer function throughout all modes of operation. These advantages result in increased efficiency, improved loop stability and lower output voltage ripple in comparison to the traditional buck-boost converter.

Figure 1 shows the topology of the LTC3129-1 power stage which is comprised of four N-channel DMOS switches and their associated gate drivers. In PWM mode operation both switch pins transition on every cycle independent of the input and output voltages. In response to the internal control loop command, an internal pulse width modulator generates the appropriate switch duty cycle to maintain regulation of the output voltage.

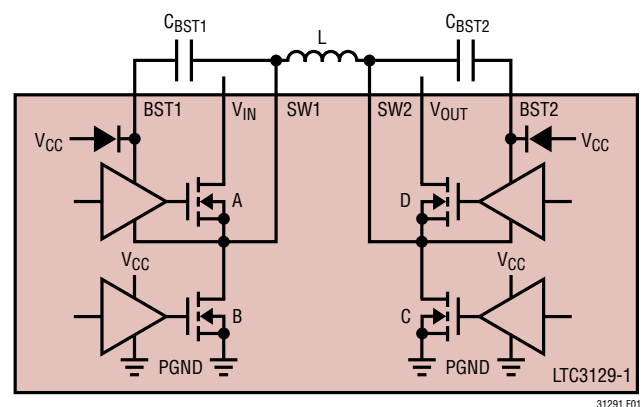


Figure 1. Power Stage Schematic

OPERATION

When stepping down from a high input voltage to a lower output voltage, the converter operates in buck mode and switch D remains on for the entire switching cycle except for the minimum switch low duration (typically 90ns). During the switch low duration, switch C is turned on which forces SW2 low and charges the flying capacitor, C_{BST2} . This ensures that the switch D gate driver power supply rail on BST2 is maintained. The duty cycle of switches A and B are adjusted to maintain output voltage regulation in buck mode.

If the input voltage is lower than the output voltage, the converter operates in boost mode. Switch A remains on for the entire switching cycle except for the minimum switch low duration (typically 90ns). During the switch low duration, switch B is turned on which forces SW1 low and charges the flying capacitor, C_{BST1} . This ensures that the switch A gate driver power supply rail on BST1 is maintained. The duty cycle of switches C and D are adjusted to maintain output voltage regulation in boost mode.

Oscillator

The LTC3129-1 operates from an internal oscillator with a nominal fixed frequency of 1.2MHz. This allows the DC/DC converter efficiency to be maximized while still using small external components.

Current Mode Control

The LTC3129-1 utilizes average current mode control for the pulse width modulator. Current mode control, both average and the better known peak method, enjoy some benefits compared to other control methods including: simplified loop compensation, rapid response to load transients and inherent line voltage rejection.

Referring to the Block Diagram, a high gain, internally compensated transconductance amplifier monitors V_{OUT} through an internal voltage divider. The error amplifier output is used by the current mode control loop to command the appropriate inductor current level. The inverting input of the internally compensated average current amplifier is connected to the inductor current sense circuit. The average current amplifier's output is compared to the oscillator

ramps, and the comparator outputs are used to control the duty cycle of the switch pins on a cycle-by-cycle basis.

The voltage error amplifier monitors the output voltage, V_{OUT} through the internal voltage divider and makes adjustments to the current command as necessary to maintain regulation. The voltage error amplifier therefore controls the outer voltage regulation loop. The average current amplifier makes adjustments to the inductor current as directed by the voltage error amplifier output via V_C and is commonly referred to as the inner current loop amplifier.

The average current mode control technique is similar to peak current mode control except that the average current amplifier, by virtue of its configuration as an integrator, controls average current instead of the peak current. This difference eliminates the peak to average current error inherent to peak current mode control, while maintaining most of the advantages inherent to peak current mode control.

Average current mode control requires appropriate compensation for the inner current loop, unlike peak current mode control. The compensation network must have high DC gain to minimize errors between the actual and commanded average current level, high bandwidth to quickly change the commanded current level following transient load steps and a controlled mid-band gain to provide a form of slope compensation unique to average current mode control. The compensation components required to ensure proper operation have been carefully selected and are integrated within the LTC3129-1.

Inductor Current Sense and Maximum Output Current

As part of the current control loop required for current mode control, the LTC3129-1 includes a pair of current sensing circuits that measure the buck-boost converter inductor current.

The voltage error amplifier output, V_C , is internally clamped to a nominal level of 0.6V. Since the average inductor current is proportional to V_C , the 0.6V clamp level sets the maximum average inductor current that can be programmed by the inner current loop. Taking into account the current sense amplifier's gain, the maximum average

OPERATION

inductor current is approximately 275mA (typical). In buck mode, the output current is approximately equal to the inductor current I_L .

$$I_{OUT(BUCK)} \approx I_L \cdot 0.89$$

The 90ns SW1/SW2 forced low time on each switching cycle briefly disconnects the inductor from V_{OUT} and V_{IN} resulting in about 11% less output current in either buck or Boost mode for a given inductor current. In boost mode, the output current is related to average inductor current and duty cycle by:

$$I_{OUT(BOOST)} \approx I_L \cdot (1 - D) \cdot \text{Efficiency}$$

where D is the converter duty cycle.

Since the output current in boost mode is reduced by the duty cycle (D), the output current rating in buck mode is always greater than in boost mode. Also, because boost mode operation requires a higher inductor current for a given output current compared to buck mode, the efficiency in boost mode will be lower due to higher $I_L^2 \cdot R_{DS(ON)}$ losses in the power switches. This will further reduce the output current capability in boost mode. In either operating mode, however, the inductor peak-to-peak ripple current does not play a major role in determining the output current capability, unlike peak current mode control.

With peak current mode control, the maximum output current capability is reduced by the magnitude of inductor ripple current because the peak inductor current level is the control variable, but the average inductor current is what determines the output current. The LTC3129-1 measures and controls average inductor current, and therefore, the inductor ripple current magnitude has little effect on the maximum current capability in contrast to an equivalent peak current mode converter. Under most conditions in buck mode, the LTC3129-1 is capable of providing a minimum of 200mA to the load. In boost mode, as described previously, the output current capability is related to the boost ratio or duty cycle (D). For example, for a 3.6V V_{IN} to 5V output application, the LTC3129-1 can provide up to 150mA to the load. Refer to the Typical Performance Characteristics section for more detail on output current capability.

Overload Current Limit and I_{ZERO} Comparator

The internal current sense waveform is also used by the peak overload current (I_{PEAK}) and zero current (I_{ZERO}) comparators. The I_{PEAK} current comparator monitors I_{SENSE} and turns off switch A if the inductor current level exceeds its maximum internal threshold, which is approximately 500mA. An inductor current level of this magnitude will occur during a fault, such as an output short-circuit, or during large load or input voltage transients.

The LTC3129-1 features near discontinuous inductor current operation at light output loads by virtue of the I_{ZERO} comparator circuit. By limiting the reverse current magnitude in PWM mode, a balance between low noise operation and improved efficiency at light loads is achieved. The I_{ZERO} comparator threshold is set near the zero current level in PWM mode, and as a result, the reverse current magnitude will be a function of inductance value and output voltage due to the comparator's propagation delay. In general, higher output voltages and lower inductor values will result in increased reverse current magnitude.

In automatic Burst Mode operation (PWM pin low), the I_{ZERO} comparator threshold is increased so that reverse inductor current does not normally occur. This maximizes efficiency at very light loads.

Burst Mode OPERATION

When the PWM pin is held low, the LTC3129-1 is configured for automatic Burst Mode operation. As a result, the buck-boost DC/DC converter will operate with normal continuous PWM switching above a predetermined minimum output load and will automatically transition to power saving Burst Mode operation below this output load level. Note that if the PWM pin is low, reverse inductor current is not allowed at any load. Refer to the Typical Performance Characteristics section of this data sheet to determine the Burst Mode transition threshold for various combinations of V_{IN} and V_{OUT} . If PWM is low, at light output loads, the

OPERATION

LTC3129-1 will go into a standby or sleep state when the output voltage achieves its nominal regulation level. The sleep state halts PWM switching and powers down all nonessential functions of the IC, significantly reducing the quiescent current of the LTC3129-1 to just 1.3 μ A typical. This greatly improves overall power conversion efficiency when the output load is light. Since the converter is not operating in sleep, the output voltage will slowly decay at a rate determined by the output load resistance and the output capacitor value. When the output voltage has decayed by a small amount, the LTC3129-1 will wake and resume normal PWM switching operation until the voltage on V_{OUT} is restored to the previous level. If the load is very light, the LTC3129-1 may only need to switch for a few cycles to restore V_{OUT} and may sleep for extended periods of time, significantly improving efficiency. If the load is suddenly increased above the burst transition threshold, the part will automatically resume continuous PWM operation until the load is once again reduced.

Note that Burst Mode operation is inhibited until soft-start is done, the MPPC pin is greater than 1.175V and V_{OUT} has reached regulation.

Soft-Start

The LTC3129-1 soft-start circuit minimizes input current transients and output voltage overshoot on initial power up. The required timing components for soft-start are internal to the LTC3129-1 and produce a nominal soft-start duration of approximately 3ms. The internal soft-start circuit slowly ramps the error amplifier output, V_C . In doing so, the current command of the IC is also slowly increased, starting from zero. It is unaffected by output loading or output capacitor value. Soft-start is reset by the UVLO on both V_{IN} and V_{CC} , the RUN pin and thermal shutdown.

V_{CC} Regulator

An internal low dropout regulator (LDO) generates a nominal 4.1V V_{CC} rail from V_{IN} . The V_{CC} rail powers the internal control circuitry and the gate drivers of the LTC3129-1. The V_{CC} regulator is disabled in shutdown to reduce quiescent current and is enabled by raising the RUN pin above its logic threshold. The V_{CC} regulator includes current-limit

protection to safeguard against accidental short-circuiting of the V_{CC} rail.

Undervoltage Lockout (UVLO)

There are two undervoltage lockout (UVLO) circuits within the LTC3129-1 that inhibit switching; one that monitors V_{IN} and another that monitors V_{CC} . Either UVLO will disable operation of the internal power switches and keep other IC functions in a reset state if either V_{IN} or V_{CC} are below their respective UVLO thresholds.

The V_{IN} UVLO comparator has a falling voltage threshold of 1.8V (typical). If V_{IN} falls below this level, IC operation is disabled until V_{IN} rises above 1.9V (typical), as long as the V_{CC} voltage is above its UVLO threshold.

The V_{CC} UVLO has a falling voltage threshold of 2.19V (typical). If the V_{CC} voltage falls below this threshold, IC operation is disabled until V_{CC} rises above 2.25V (typical) as long as V_{IN} is above its nominal UVLO threshold level.

Depending on the particular application, either of these UVLO thresholds could be the limiting factor affecting the minimum input voltage required for operation. Because the V_{CC} regulator uses V_{IN} for its power input, the minimum input voltage required for operation is determined by the V_{CC} minimum voltage, as input voltage (V_{IN}) will always be higher than V_{CC} in the normal (non-bootstrapped) configuration. Therefore, the minimum V_{IN} for the part to start up is 2.25V (typical).

In applications where V_{CC} is bootstrapped (powered through a Schottky diode by either V_{OUT} or an auxiliary power rail), the minimum input voltage for operation will be limited only by the V_{IN} UVLO threshold (1.8V typical). *Please note that if the bootstrap voltage is derived from the LTC3129-1 V_{OUT} and not an independent power rail, then the minimum input voltage required for initial start-up is still 2.25V (typical).*

Note that if either V_{IN} or V_{CC} are below their UVLO thresholds, or if RUN is below its accurate threshold of 1.22V (typical), then the LTC3129-1 will remain in a soft shutdown state, where the V_{IN} quiescent current will be only 1.9 μ A typical.

OPERATION

V_{OUT} Undervoltage

There is also an undervoltage comparator that monitors the output voltage. Until V_{OUT} reaches 1.15V (typical), the average current limit is reduced by a factor of two. This reduces power dissipation in the device in the event of a shorted output. In addition, N-channel switch D, which feeds V_{OUT} , will be disabled until V_{OUT} exceeds 1.15V.

RUN Pin Comparator

In addition to serving as a logic level input to enable certain functions of the IC, the RUN pin includes an accurate internal comparator that allows it to be used to set custom rising and falling ON/OFF thresholds with the addition of an optional external resistor divider. When RUN is driven above its logic threshold (0.9V typical), the V_{CC} regulator is enabled, which provides power to the internal control circuitry of the IC. If the voltage on RUN is increased further so that it exceeds the RUN comparator's accurate analog threshold (1.22V typical), all functions of the buck-boost converter will be enabled and a start-up sequence will ensue (assuming the V_{IN} and V_{CC} UVLO thresholds are satisfied).

If RUN is brought below the accurate comparator threshold, the buck-boost converter will inhibit switching, but the V_{CC} regulator and control circuitry will remain powered unless RUN is brought below its logic threshold. Therefore, in order to completely shut down the IC and reduce the V_{IN} current to 10nA (typical), it is necessary to ensure that RUN is brought below its worst case low logic threshold of 0.5V. RUN is a high voltage input and can be tied directly to V_{IN} to continuously enable the IC when the input supply is present. Also note that RUN can be driven above V_{IN} or V_{OUT} as long as it stays within the operating range of the IC (up to 15V).

With the addition of an optional resistor divider as shown in Figure 2, the RUN pin can be used to establish a user-programmable turn-on and turn-off threshold. This feature can be utilized to minimize battery drain below a certain input voltage, or to operate the converter in a hiccup mode from very low current sources.

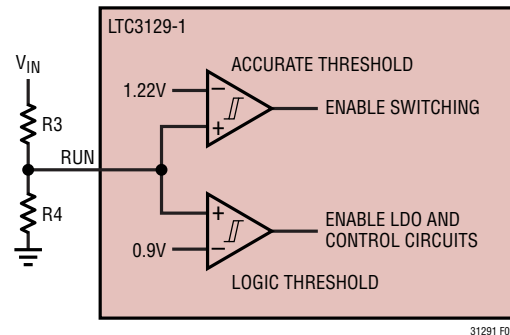


Figure 2. Accurate RUN Pin Comparator

Note that once RUN is above 0.9V typical, the quiescent input current on V_{IN} (or V_{CC} if back-driven) will increase to about 1.9 μ A typical until the V_{IN} and V_{CC} UVLO thresholds are satisfied.

The converter is enabled when the voltage on RUN exceeds 1.22V (nominal). Therefore, the turn on voltage threshold on V_{IN} is given by:

$$V_{IN(\text{TURN-ON})} = 1.22\text{V} \cdot (1 + R3/R4)$$

The RUN comparator includes a built-in hysteresis of approximately 80mV, so that the turn off threshold will be 1.14V.

There may be cases due to PCB layout, very large value resistors for R3 and R4, or proximity to noisy components where noise pickup may cause the turn-on or turn-off of the IC to be intermittent. In these cases, a small filter capacitor can be added across R4 to ensure proper operation.

PGOOD Comparator

The LTC3129-1 provides an open-drain PGOOD output that pulls low if V_{OUT} falls more than 7.5% (typical) below its programmed value. When V_{OUT} rises to within 5% (typical) of its programmed value, the internal PGOOD pull-down will turn off and PGOOD will go high if an external pull-up resistor has been provided. An internal filter prevents nuisance trips of PGOOD due to short transients on V_{OUT} . Note that PGOOD can be pulled up to any voltage, as long as the absolute maximum rating of 18V is not exceeded, and as long as the maximum sink current rating is not exceeded when PGOOD is low. Note that PGOOD will also be driven low if V_{CC} is below its UVLO threshold or

OPERATION

if the part is in shutdown (RUN below its logic threshold) while V_{CC} is being held up (or back-driven). PGOOD is not affected by V_{IN} UVLO or the accurate RUN threshold.

In cases where V_{CC} is not being back-driven in shutdown, PGOOD will not be held low indefinitely. The internal PGOOD pull-down will be disabled as the V_{CC} voltage decays below approximately 1V.

Maximum Power-Point Control (MPPC)

The MPPC input of the LTC3129-1 can be used with an optional external voltage divider to dynamically adjust the commanded inductor current in order to maintain a minimum input voltage when using high resistance sources, such as photovoltaic panels, so as to maximize input power transfer and prevent V_{IN} from dropping too low under load. Referring to Figure 3, the MPPC pin is internally connected to the noninverting input of a g_m amplifier, whose inverting input is connected to the 1.175V reference. If the voltage at MPPC, using the external voltage divider, falls below the reference voltage, the output of the amplifier pulls the internal V_C node low. This reduces the commanded average inductor current so as to reduce the input current and regulate V_{IN} to the programmed minimum voltage, as given by:

$$V_{IN(MPPC)} = 1.175V \cdot (1 + R5/R6)$$

Note that external compensation should not be required for MPPC loop stability if the input filter capacitor, C_{IN} , is at least 22 μ F. See Typical Applications for an example of external compensation that can be added in applications where C_{IN} must be less than the recommended minimum value.

The divider resistor values can be in the megohm range to minimize the input current in very low power applications. However, stray capacitance and noise pickup on the MPPC pin must also be minimized.

The MPPC pin controls the converter in a linear fashion when using sources that can provide a minimum of 5mA to 10mA of continuous input current. For operation from weaker input sources, refer to the Application Information section to see how the programmable RUN pin can be used to control the converter in a hysteretic manner to provide an effective MPPC function for sources that can provide as little as 5 μ A or less.

If the MPPC function is not required, the MPPC pin should be tied to V_{CC} .

V_{OUT} Programming Pins

The LTC3129-1 has a precision internal voltage divider on V_{OUT} , eliminating the need for high-value external feedback resistors. This not only eliminates two external components, it minimizes no-load quiescent current by using very

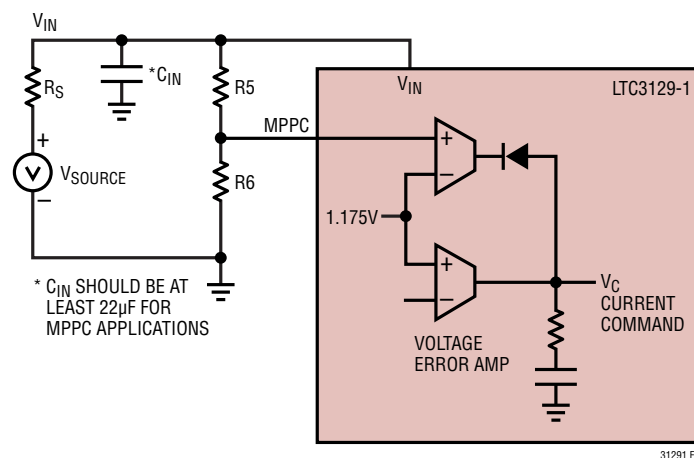


Figure 3. MPPC Amplifier with External Resistor Divider

OPERATION

high resistance values that would not be practical due to the effects of noise and board leakages that would cause V_{OUT} regulation errors. The tap point on this divider is digitally selected by using the VS1, VS2 and VS3 pins to program one of eight fixed output voltages. The VS pins should be grounded or connected to V_{CC} to select the desired output voltage, according to the following table. The VS1, VS2 and VS3 pins can also be driven by external logic signals as long as the absolute maximum voltage ratings are not exceeded. Note however that driving any of the voltage select pins high to a voltage less than the V_{CC} operating voltage will result in increased quiescent current. Also note that if the VS3 pin is driven above V_{CC} , an external 1M resistor should be added in series. For other output voltages, refer to the LTC3129 which has a feedback pin, allowing any output voltage from 1.4V to 15.75V.

V_{OUT} Program Settings for the LTC3129-1

VS3 PIN	VS2 PIN	VS1 PIN	V_{OUT}
0	0	0	2.5V
0	0	V_{CC}	3.3V
0	V_{CC}	0	4.1V
0	V_{CC}	V_{CC}	5.0V
V_{CC}	0	0	6.9V
V_{CC}	0	V_{CC}	8.2V
V_{CC}	V_{CC}	0	12V
V_{CC}	V_{CC}	V_{CC}	15V

Note that in shutdown, or if V_{CC} is below its UVLO threshold, the internal voltage divider on V_{OUT} is automatically disconnected to eliminate any current draw on V_{OUT} .

Thermal Considerations

The power switches of the LTC3129-1 are designed to operate continuously with currents up to the internal current limit thresholds. However, when operating at high current levels, there may be significant heat generated within the IC. In addition, the V_{CC} regulator can also generate wasted heat when V_{IN} is very high, adding to the total power

dissipation of the IC. As described elsewhere in this data sheet, bootstrapping of the V_{CC} for 5V output applications can essentially eliminate the V_{CC} power dissipation term and significantly improve efficiency. As a result, careful consideration must be given to the thermal environment of the IC in order to provide a means to remove heat from the IC and ensure that the LTC3129-1 is able to provide its full rated output current. Specifically, the exposed die attach pad of both the QFN and MSE packages must be soldered to a copper layer on the PCB to maximize the conduction of heat out of the IC package. This can be accomplished by utilizing multiple vias from the die attach pad connection underneath the IC package to other PCB layer(s) containing a large copper plane. A typical board layout incorporating these concepts is shown in Figure 4.

If the IC die temperature exceeds approximately 180°C, overtemperature shutdown will be invoked and all switching will be inhibited. The part will remain disabled until the die temperature cools by approximately 10°C. The soft-start circuit is re-initialized in over temperature shutdown to provide a smooth recovery when the IC die temperature cools enough to resume operation.

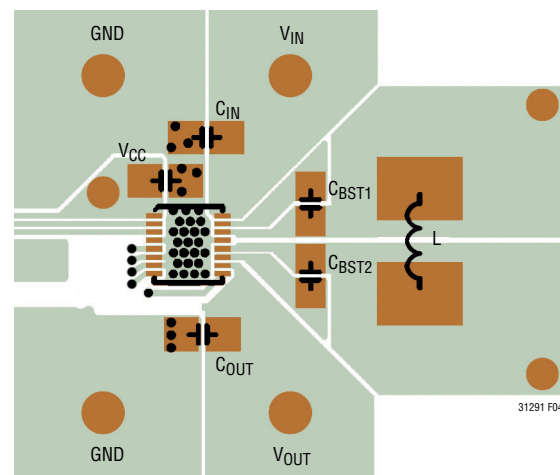


Figure 4. Typical 2-Layer PC Board Layout (MSE Package)

APPLICATIONS INFORMATION

A standard application circuit for the LTC3129-1 is shown on the front page of this data sheet. The appropriate selection of external components is dependent upon the required performance of the IC in each particular application given considerations and trade-offs such as PCB area, input and output voltage range, output voltage ripple, transient response, required efficiency, thermal considerations and cost. This section of the data sheet provides some basic guidelines and considerations to aid in the selection of external components and the design of the applications circuit, as well as more application circuit examples.

V_{CC} Capacitor Selection

The V_{CC} output of the LTC3129-1 is generated from V_{IN} by a low dropout linear regulator. The V_{CC} regulator has been designed for stable operation with a wide range of output capacitors. For most applications, a low ESR capacitor of at least 2.2μF should be used. The capacitor should be located as close to the V_{CC} pin as possible and connected to the V_{CC} pin and ground through the shortest traces possible. V_{CC} is the regulator output and is also the internal supply pin for the LTC3129-1 control circuitry as well as the gate drivers and boost rail charging diodes. The V_{CC} pin is not intended to supply current to other external circuitry.

Inductor Selection

The choice of inductor used in LTC3129-1 application circuits influences the maximum deliverable output current, the converter bandwidth, the magnitude of the inductor current ripple and the overall converter efficiency. The inductor must have a low DC series resistance, when compared to the internal switch resistance, or output current capability and efficiency will be compromised. Larger inductor values reduce inductor current ripple but may not increase output current capability as is the case with peak current mode control as described in the Maximum Output Current section. Larger value inductors also tend to have a higher DC series resistance for a given case size, which will have a negative impact on efficiency. Larger values of inductance will also lower the right half plane (RHP) zero frequency when operating in boost mode, which can compromise loop stability. Nearly all LTC3129-1 application circuits deliver the best performance with an inductor value between 3.3μH and 10μH. Buck mode

only applications can use the larger inductor values as they are unaffected by the RHP zero, while mostly boost applications generally require inductance on the low end of this range depending on how large the step-up ratio is.

Regardless of inductor value, the saturation current rating should be selected such that it is greater than the worst case average inductor current plus half of the ripple current. The peak-to-peak inductor current ripple for each operational mode can be calculated from the following formula, where f is the switching frequency (1.2MHz), L is the inductance in μH and t_{LOW} is the switch pin minimum low time in μs. The switch pin minimum low time is typically 0.09μs.

$$\Delta I_{L(P-P)(BUCK)} = \frac{V_{OUT}}{L} \left(\frac{V_{IN} - V_{OUT}}{V_{IN}} \right) \left(\frac{1}{f} - t_{LOW} \right) A$$

$$\Delta I_{L(P-P)(BOOST)} = \frac{V_{IN}}{L} \left(\frac{V_{OUT} - V_{IN}}{V_{OUT}} \right) \left(\frac{1}{f} - t_{LOW} \right) A$$

It should be noted that the worst-case peak-to-peak inductor ripple current occurs when the duty cycle in buck mode is minimum (highest V_{IN}) and in boost mode when the duty cycle is 50% (V_{OUT} = 2 • V_{IN}). As an example, if V_{IN} (minimum) = 2.5V and V_{IN} (maximum) = 15V, V_{OUT} = 5V and L = 10μH, the peak-to-peak inductor ripples at the voltage extremes (15V V_{IN} for buck and 2.5V V_{IN} for boost) are:

$$BUCK = 248mA \text{ peak-to-peak}$$

$$BOOST = 93mA \text{ peak-to-peak}$$

One half of this inductor ripple current must be added to the highest expected average inductor current in order to select the proper saturation current rating for the inductor.

To avoid the possibility of inductor saturation during load transients, an inductor with a saturation current rating of at least 600mA is recommended for all applications.

In addition to its influence on power conversion efficiency, the inductor DC resistance can also impact the maximum output current capability of the buck-boost converter particularly at low input voltages. In buck mode, the output current of the buck-boost converter is primarily limited by the inductor current reaching the average current limit threshold. However, in boost mode, especially

31291fb

APPLICATIONS INFORMATION

at large step-up ratios, the output current capability can also be limited by the total resistive losses in the power stage. These losses include, switch resistances, inductor DC resistance and PCB trace resistance. Avoid inductors with a high DC resistance (DCR) as they can degrade the maximum output current capability from what is shown in the Typical Performance Characteristics section and from the Typical Application circuits.

As a guideline, the inductor DCR should be significantly less than the typical power switch resistance of 750m Ω each. The only exceptions are applications that have a maximum output current requirement much less than what the LTC3129-1 is capable of delivering. Generally speaking, inductors with a DCR in the range of 0.15 Ω to 0.3 Ω are recommended. Lower values of DCR will improve the efficiency at the expense of size, while higher DCR values will reduce efficiency (typically by a few percent) while allowing the use of a physically smaller inductor.

Different inductor core materials and styles have an impact on the size and price of an inductor at any given current rating. Shielded construction is generally preferred as it minimizes the chances of interference with other circuitry. The choice of inductor style depends upon the price, sizing, and EMI requirements of a particular application. Table 2 provides a wide sampling of inductors that are well suited to many LTC3129-1 applications.

Table 2. Recommended Inductors

VENDOR	PART
Coilcraft www.coilcraft.com	EPL2014, EPL3012, EPL3015, XFL3012 LPS3015, LPS3314
Coiltronics www.cooperindustries.com	SDH3812, SD3814 SD3114, SD3118
Murata www.murata.com	LQH3NP LQH32P LQH44P
Sumida www.sumida.com	CDRH2D16, CDRH2D18 CDRH3D14, CDRH3D16
Taiyo-Yuden www.t-yuden.com	NR3012T, NR3015T, NRS4012T BRC2518
TDK www.tdk.com	VLS3012, VLS3015 VLF302510MT, VLF302512MT
Toko www.tokoam.com	DB3015C, DB3018C, DB3020C DP418C, DP420C, DEM2815C, DFE322512C, DFE252012C
Würth www.we-online.com	WE-TPC 2813, WE-TPC 3816, WE-TPC 2828

Recommended inductor values for different operating voltage ranges are given in Table 3. These values were chosen to minimize inductor size while maintaining an acceptable amount of inductor ripple current for a given V_{IN} and V_{OUT} range.

Table 3. Recommended Inductor and Output Capacitor Values

V_{IN} AND V_{OUT} RANGE	RECOMMENDED INDUCTOR VALUES	MAXIMUM RECOMMENDED TOTAL OUTPUT CAPACITOR VALUE FOR PWM MODE OPERATION AT LIGHT LOAD (<15mA, PWM PIN HIGH)
V_{IN} and V_{OUT} Both < 4.5V	3.3 μ H to 4.7 μ H	10 μ F
V_{IN} and V_{OUT} Both < 8V	4.7 μ H to 6.8 μ H	10 μ F
V_{IN} and V_{OUT} Both < 11V	6.8 μ H to 8.2 μ H	10 μ F
V_{IN} and V_{OUT} Up to 15V	8.2 μ H to 10 μ H	10 μ F

Due to the fixed, internal loop compensation and feedback divider provided by the LTC3129-1, there are limitations to the maximum recommended total output capacitor value in applications that must operate in PWM mode at light load (PWM pin pulled high with minimum load currents less than ~15mA). In these applications, a maximum output capacitor value, shown in Table 3, is recommended. For applications that must operate in PWM mode at light load with higher values of output capacitance, the LTC3129 is recommended. Its external feedback pin allows the use of additional feedforward compensation for improved light-load stability under these conditions.

Note that for applications where Burst Mode operation is enabled (PWM pin grounded), the output capacitor value can be increased without limitation regardless of the minimum load current or inductor value.

Output Capacitor Selection

A low effective series resistance (ESR) output capacitor of 4.7 μ F minimum should be connected at the output of the buck-boost converter in order to minimize output voltage ripple. Multilayer ceramic capacitors are an excellent option as they have low ESR and are available in small footprints. The capacitor value should be chosen large enough to reduce the output voltage ripple to acceptable levels. Neglecting the capacitor's ESR and ESL (effective series inductance), the peak-to-peak output voltage ripple in PWM mode can be calculated by the following

APPLICATIONS INFORMATION

formula, where f is the frequency in MHz (1.2MHz), C_{OUT} is the capacitance in μF , t_{LOW} is the switch pin minimum low time in μs (0.09 μs typical) and I_{LOAD} is the output current in amperes.

$$\Delta V_{P-P(BUCK)} = \frac{I_{LOAD} t_{LOW}}{C_{OUT}} V$$

$$\Delta V_{P-P(BOOST)} = \frac{I_{LOAD}}{f C_{OUT}} \left(\frac{V_{OUT} - V_{IN} + t_{LOW} f V_{IN}}{V_{OUT}} \right) V$$

Examining the previous equations reveals that the output voltage ripple increases with load current and is generally higher in boost mode than in buck mode. Note that these equations only take into account the voltage ripple that occurs from the inductor current to the output being discontinuous. They provide a good approximation to the ripple at any significant load current but underestimate the output voltage ripple at very light loads where the output voltage ripple is dominated by the inductor current ripple.

In addition to the output voltage ripple generated across the output capacitance, there is also output voltage ripple produced across the internal resistance of the output capacitor. The ESR-generated output voltage ripple is proportional to the series resistance of the output capacitor and is given by the following expressions where R_{ESR} is the series resistance of the output capacitor and all other terms as previously defined.

$$\Delta V_{P-P(BUCK)} = \frac{I_{LOAD} R_{ESR}}{1 - t_{LOW} f} \cong I_{LOAD} R_{ESR} V$$

$$\Delta V_{P-P(BOOST)} = \frac{I_{LOAD} R_{ESR} V_{OUT}}{V_{IN} (1 - t_{LOW} f)}$$

$$\cong I_{LOAD} R_{ESR} \left(\frac{V_{OUT}}{V_{IN}} \right) V$$

In most LTC3129-1 applications, an output capacitor between 10 μF and 22 μF will work well. To minimize output ripple in Burst Mode operation, values of 22 μF or larger are recommended.

Input Capacitor Selection

The V_{IN} pin carries the full inductor current and provides power to internal control circuits in the IC. To minimize input voltage ripple and ensure proper operation of the IC, a low ESR bypass capacitor with a value of at least 4.7 μF should be located as close to the V_{IN} pin as possible. The traces connecting this capacitor to V_{IN} and the ground plane should be made as short as possible.

When powered through long leads or from a power source with significant resistance, a larger value bulk input capacitor may be required and is generally recommended. In such applications, a 47 μF to 100 μF low-ESR electrolytic capacitor in parallel with a 1 μF ceramic capacitor generally yields a high performance, low cost solution.

Note that applications using the MPPC feature should use a minimum C_{IN} of 22 μF . Larger values can be used without limitation.

Recommended Input and Output Capacitor Types

The capacitors used to filter the input and output of the LTC3129-1 must have low ESR and must be rated to handle the AC currents generated by the switching converter. This is important to maintain proper functioning of the IC and to reduce output voltage ripple. There are many capacitor types that are well suited to these applications including multilayer ceramic, low ESR tantalum, OS-CON and POSCAP technologies. In addition, there are certain types of electrolytic capacitors such as solid aluminum organic polymer capacitors that are designed for low ESR and high AC currents and these are also well suited to some LTC3129-1 applications. The choice of capacitor technology is primarily dictated by a trade-off between size, leakage current and cost. In backup power applications, the input or output capacitor might be a super or ultra capacitor with a capacitance value measuring in the farad range. The selection criteria in these applications are generally similar except that voltage ripple is generally not a concern. Some capacitors exhibit a high DC leakage current which may preclude their consideration for applications that require a very low quiescent current in Burst Mode operation. Note that ultra capacitors may have

APPLICATIONS INFORMATION

a rather high ESR, therefore a 4.7 μ F (minimum) ceramic capacitor is recommended in parallel, close to the IC pins.

Ceramic capacitors are often utilized in switching converter applications due to their small size, low ESR and low leakage currents. However, many ceramic capacitors intended for power applications experience a significant loss in capacitance from their rated value as the DC bias voltage on the capacitor increases. It is not uncommon for a small surface mount capacitor to lose more than 50% of its rated capacitance when operated at even half of its maximum rated voltage. This effect is generally reduced as the case size is increased for the same nominal value capacitor. As a result, it is often necessary to use a larger value capacitance or a higher voltage rated capacitor than would ordinarily be required to actually realize the intended capacitance at the operating voltage of the application. X5R and X7R dielectric types are recommended as they exhibit the best performance over the wide operating range and temperature of the LTC3129-1. To verify that the intended capacitance is achieved in the application circuit, be sure to consult the capacitor vendor's curve of capacitance versus DC bias voltage.

Using the Programmable RUN Function to Operate from Extremely Weak Input Sources

Another application of the programmable RUN pin is that it can be used to operate the converter in a hiccup mode from extremely low current sources. This allows operation from sources that can only generate microamps of output current, and would be far too weak to sustain normal steady-state operation, even with the use of the MPPC pin. Because the LTC3129-1 draws only 1.9 μ A typical from V_{IN} until it is enabled, the RUN pin can be programmed to keep the IC disabled until V_{IN} reaches the programmed voltage level. In this manner, the input source can trickle-charge an input storage capacitor, even if it can only supply microamps of current, until V_{IN} reaches the turn-on threshold set by the RUN pin divider. The converter will then be enabled, using the stored charge in the input capacitor, until V_{IN} drops below the turn-off threshold, at which point the converter will turn off and the process will repeat.

This approach allows the converter to run from weak sources such as thin-film solar cells using indoor lighting.

Although the converter will be operating in bursts, it is enough to charge an output capacitor to power low duty cycle loads, such as wireless sensor applications, or to trickle charge a battery. In addition, note that the input voltage will be cycling (with a small ripple as set by the RUN hysteresis) about a fixed voltage, as determined by the divider. This allows the high impedance source to operate at the programmed optimal voltage for maximum power transfer.

When using high value divider resistors (in the M Ω range) to minimize current draw on V_{IN} , a small noise filter capacitor may be necessary across the lower divider resistor to prevent noise from erroneously tripping the RUN comparator. The capacitor value should be minimized so as not to introduce a time delay long enough for the input voltage to drop significantly below the desired V_{IN} threshold before the converter is turned off. Note that larger V_{IN} decoupling capacitor values will minimize this effect by providing more holdup time on V_{IN} .

Programming the MPPC Voltage

As discussed in the previous section, the LTC3129-1 includes an MPPC function to optimize performance when operating from voltage sources with relatively high source resistance. Using an external voltage divider from V_{IN} , the MPPC function takes control of the average inductor current when necessary to maintain a minimum input voltage, as programmed by the user. Referring to Figure 3:

$$V_{IN(MPPC)} = 1.175V \cdot (1 + R5/R6)$$

This is useful for such applications as photovoltaic powered converters, since the maximum power transfer point occurs when the photovoltaic panel is operated at about 75% of its open-circuit voltage. For example, when operating from a photovoltaic panel with an open-circuit voltage of 5V, the maximum power transfer point will be when the panel is loaded such that its output voltage is about 3.75V. Choosing values of 2M Ω for R5 and 909k for R6 will program the MPPC function to regulate the maximum input current so as to maintain V_{IN} at a minimum of 3.74V (typical). Note that if the panel can provide more power than the LTC3129-1 can draw, the input voltage will rise above the programmed MPPC point. This is fine as long as the input voltage doesn't exceed 15V.

APPLICATIONS INFORMATION

For weak input sources with very high resistance (hundreds of Ohms or more), the LTC3129-1 may still draw more current than the source can provide, causing V_{IN} to drop below the UVLO threshold. For these applications, it is recommended that the programmable RUN feature be used, as described in the previous section.

MPPC Compensation and Gain

When using MPPC, there are a number of variables that affect the gain and phase of the input voltage control loop. Primarily these are the input capacitance, the MPPC divider ratio and the V_{IN} source resistance (or current). To simplify the design of the application circuit, the MPPC control loop in the LTC3129 is designed with a relatively low gain, such that external MPPC loop compensation is generally not required when using a V_{IN} capacitor value of at least $22\mu\text{F}$. The gain from the MPPC pin to the internal VC control voltage is about 12, so a drop of 50mV on the MPPC pin (below the 1.175V MPPC threshold), corresponds to a 600mV drop on the internal VC voltage, which reduces the average inductor current all the way to zero. Therefore, the programmed input MPPC voltage will be maintained within about 4% over the load range.

Note that if large-value V_{IN} capacitors are used (which may have a relatively high ESR) a small ceramic capacitor of at least $4.7\mu\text{F}$ should be placed in parallel across the V_{IN} input, near the V_{IN} pin of the IC.

Bootstrapping the V_{CC} Regulator

The high and low side gate drivers are powered through the V_{CC} rail, which is generated from the input voltage, V_{IN} , through an internal linear regulator. In some applications, especially at high input voltages, the power dissipation in the linear regulator can become a major contributor to thermal heating of the IC and overall efficiency. The Typical Performance Characteristics section provides data on the V_{CC} current and resulting power loss versus V_{IN} and V_{OUT} . A significant performance advantage can be attained in high V_{IN} applications where converter output voltage (V_{OUT}) is programmed to 5V, if V_{OUT} is used to power the V_{CC} rail.

Powering V_{CC} in this manner is referred to as bootstrapping. This can be done by connecting a Schottky diode (such as a BAT54) from V_{OUT} to V_{CC} as shown in Figure 5. With the bootstrap diode installed, the gate driver currents are supplied by the buck-boost converter at high efficiency rather than through the internal linear regulator. The internal linear regulator contains reverse blocking circuitry that allows V_{CC} to be driven above its nominal regulation level with only a very slight amount of reverse current. Please note that the bootstrapping supply (either V_{OUT} or a separate regulator) must be limited to less than 5.7V so as not to exceed the maximum V_{CC} voltage of 5.5V after the diode drop.

By maintaining V_{CC} above its UVLO threshold, bootstrapping, even to a 3.3V output, also allows operation down to the V_{IN} UVLO threshold of 1.8V (typical).

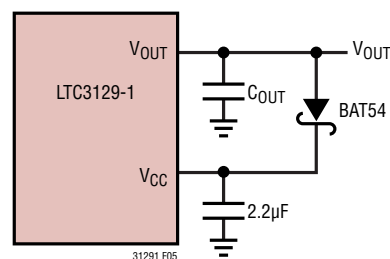


Figure 5. Example of V_{CC} Bootstrap

Sources of Small Photovoltaic Panels

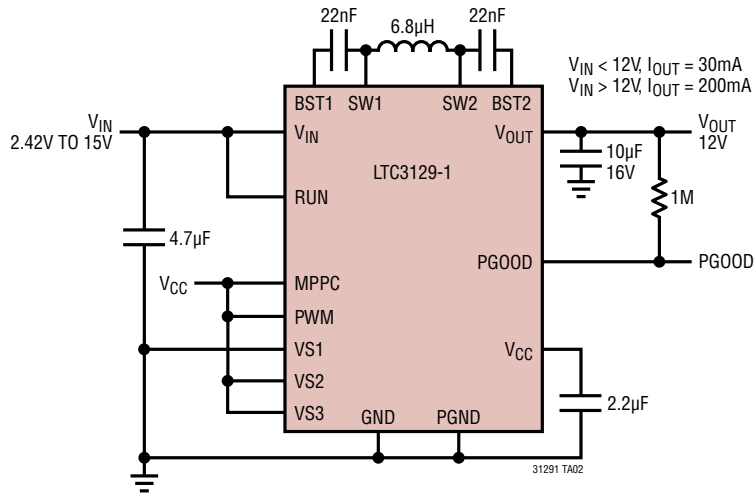
A list of companies that manufacture small solar panels (sometimes referred to as modules or solar cell arrays) suitable for use with the LTC3129-1 is provided in Table 4.

Table 4. Small Photovoltaic Panel Manufacturers

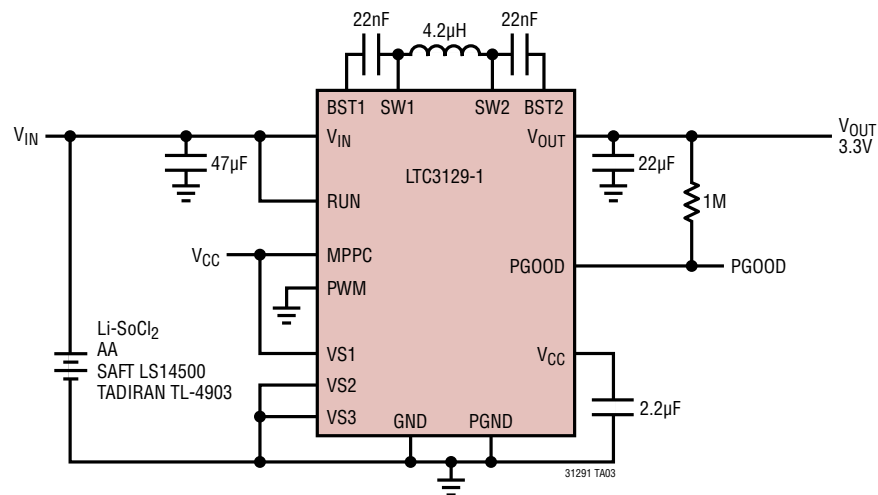
Sanyo	http://panasonic.net/energy/amorton/en/
PowerFilm	http://www.powerfilmsolar.com/
IXYS Corporation	http://www.ixys.com/ProductPortfolio/GreenEnergy.aspx
G24 Innovations	http://www.g24i.com/
SolarPrint	http://www.solarprint.ie/

TYPICAL APPLICATIONS

Low Noise, Fixed Frequency, Wide V_{IN} Range 12V Converter



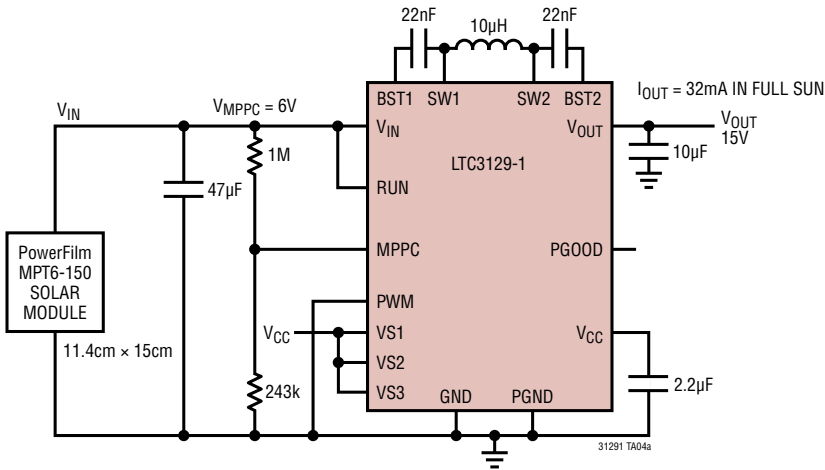
3.3V Converter Provides Extremely Long Run Time in Low Drain Applications Using Lithium Thionyl Chloride Battery



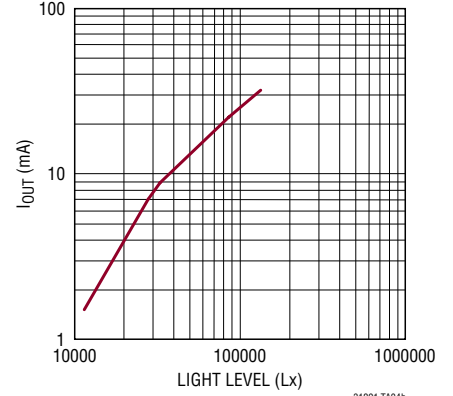
RUN TIME
 > 100,000 HRS (11.4 YEARS) AT 10µA (33µW) AVERAGE LOAD
 > 34,000 HRS (3.9 YEARS) AT 50µA (165µW) AVERAGE LOAD

TYPICAL APPLICATIONS

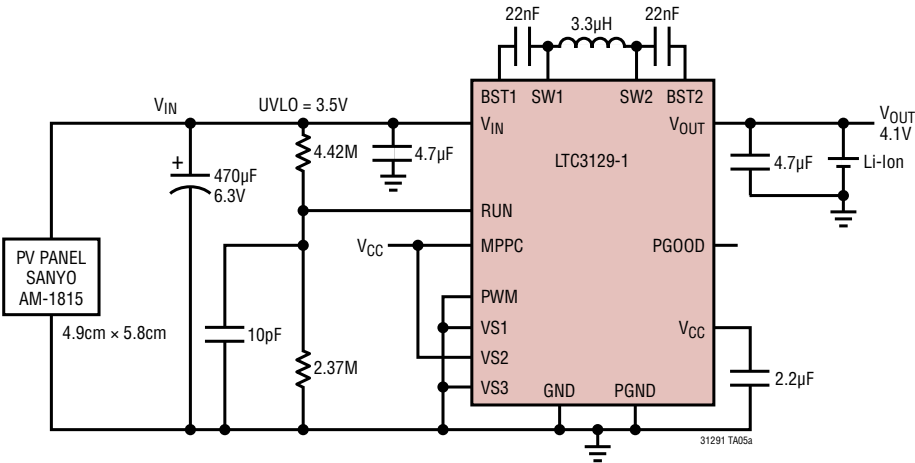
15V Converter Powered from Flexible Solar Panel



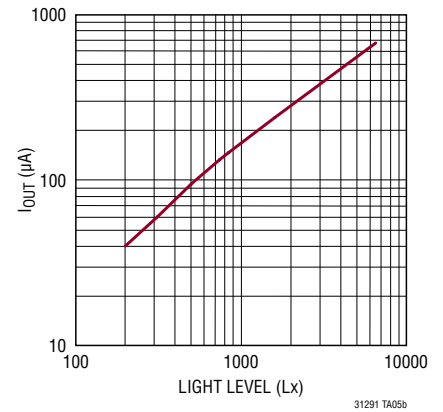
I_{OUT} vs Light Level (Daylight)



Hiccup Converter Keeps Li-Ion Battery Charged with Indoor Lighting

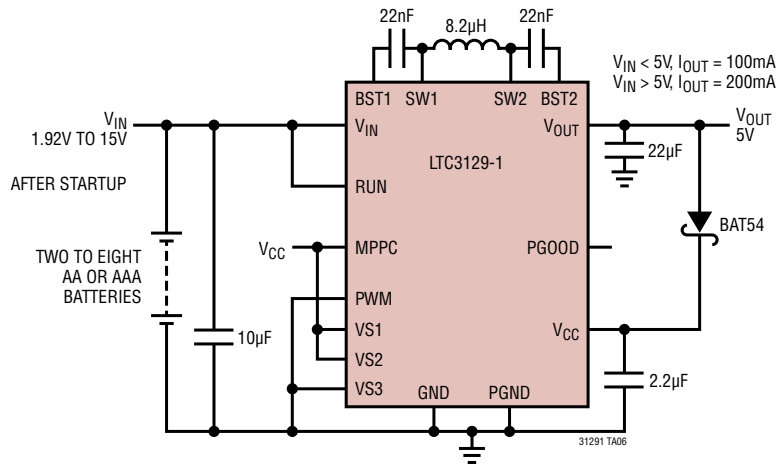


Average I_{OUT} vs Light Level (Indoors)

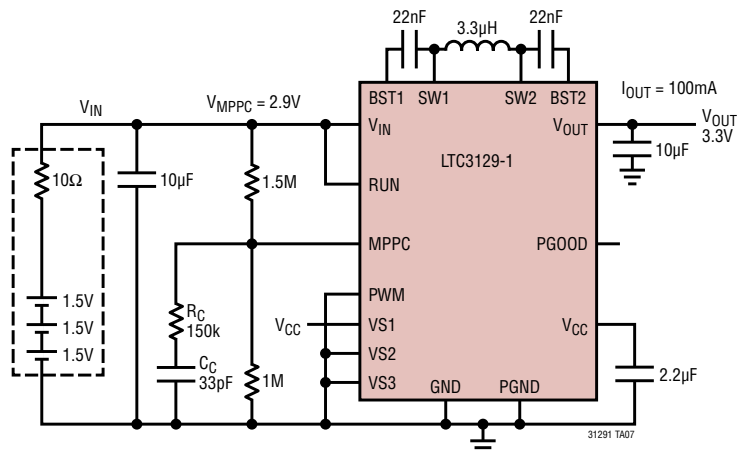


TYPICAL APPLICATIONS

5V Converter Operates from Two to Eight AA or AAA Cells Using Bootstrap Diode to Increase Efficiency at High V_{IN} and Extend Operation at Low V_{IN}



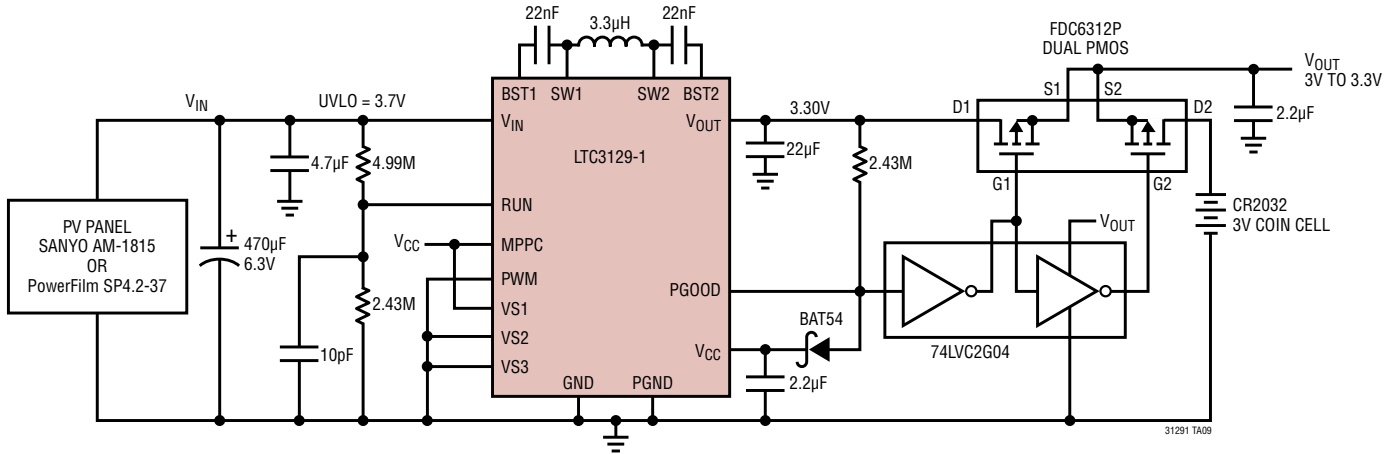
3.3V Converter Uses MPPC Function to Work with High Resistance Battery Pack



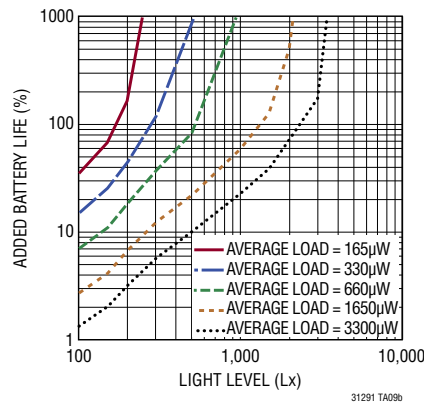
NOTE: R_C AND C_C HAVE BEEN ADDED FOR IMPROVED MPPC LOOP STABILITY WHEN USING AN INPUT CAPACITOR VALUE LESS THAN THE RECOMMENDED MINIMUM OF 22µF

TYPICAL APPLICATIONS

Solar Powered Converter Extends Battery Life in Low Power 3V Primary Battery Applications



Percentage of Added Battery Life vs Light Level and Load
(PowerFilm SP4.2-37, 30sq cm Panel)

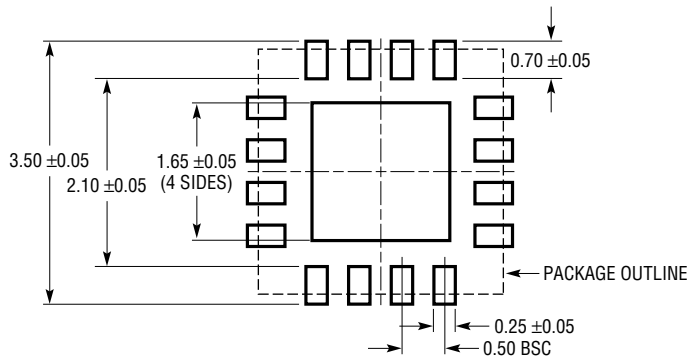


PACKAGE DESCRIPTION

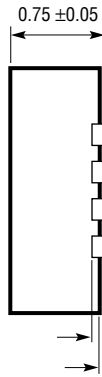
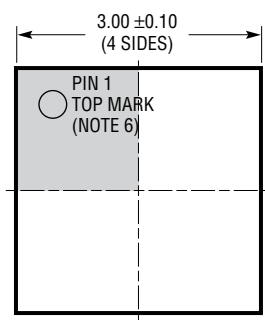
Please refer to <http://www.linear.com/designtools/packaging/> for the most recent package drawings.

UD Package
16-Lead Plastic QFN (3mm × 3mm)
 (Reference LTC DWG # 05-08-1700 Rev A)

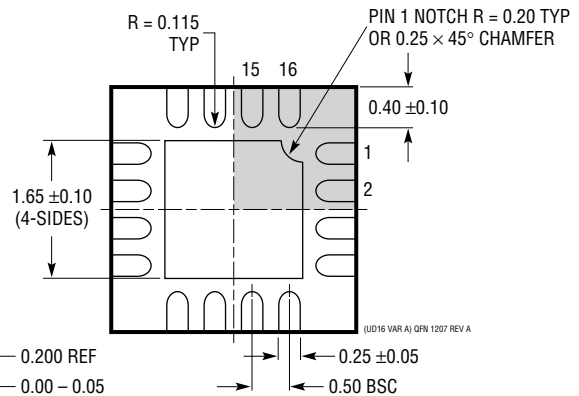
Exposed Pad Variation AA



RECOMMENDED SOLDER PAD PITCH AND DIMENSIONS



BOTTOM VIEW—EXPOSED PAD

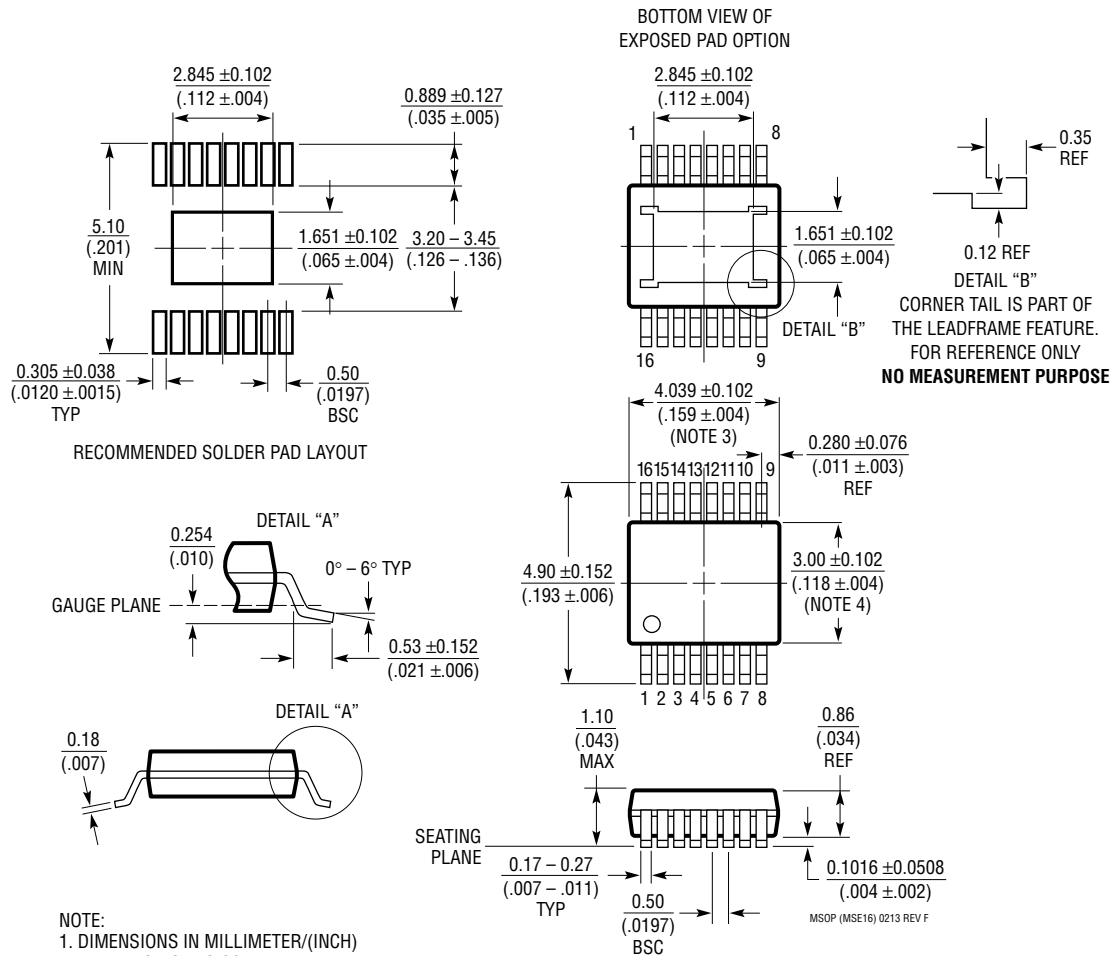


- NOTE:
1. DRAWING CONFORMS TO JEDEC PACKAGE OUTLINE MO-220 VARIATION (WEED-4)
 2. DRAWING NOT TO SCALE
 3. ALL DIMENSIONS ARE IN MILLIMETERS
 4. DIMENSIONS OF EXPOSED PAD ON BOTTOM OF PACKAGE DO NOT INCLUDE MOLD FLASH. MOLD FLASH, IF PRESENT, SHALL NOT EXCEED 0.15mm ON ANY SIDE
 5. EXPOSED PAD SHALL BE SOLDER PLATED
 6. SHADED AREA IS ONLY A REFERENCE FOR PIN 1 LOCATION ON THE TOP AND BOTTOM OF PACKAGE

PACKAGE DESCRIPTION

Please refer to <http://www.linear.com/designtools/packaging/> for the most recent package drawings.

MSE Package 16-Lead Plastic MSOP, Exposed Die Pad (Reference LTC DWG # 05-08-1667 Rev F)



NOTE:

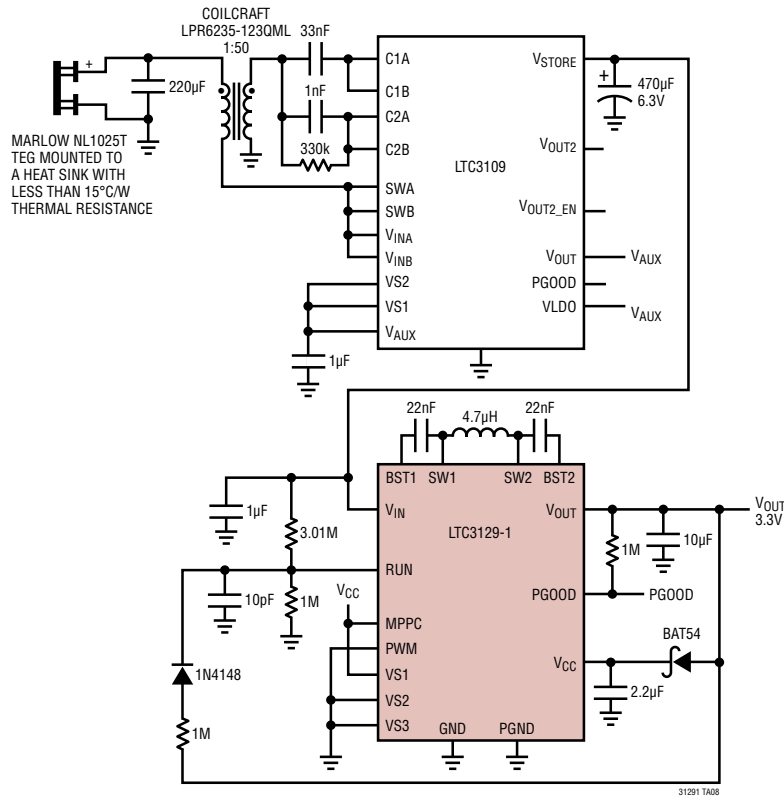
1. DIMENSIONS IN MILLIMETER/(INCH)
2. DRAWING NOT TO SCALE
3. DIMENSION DOES NOT INCLUDE MOLD FLASH, PROTRUSIONS OR GATE BURRS. MOLD FLASH, PROTRUSIONS OR GATE BURRS SHALL NOT EXCEED 0.152mm (.006") PER SIDE
4. DIMENSION DOES NOT INCLUDE INTERLEAD FLASH OR PROTRUSIONS. INTERLEAD FLASH OR PROTRUSIONS SHALL NOT EXCEED 0.152mm (.006") PER SIDE
5. LEAD COPLANARITY (BOTTOM OF LEADS AFTER FORMING) SHALL BE 0.102mm (.004") MAX
6. EXPOSED PAD DIMENSION DOES INCLUDE MOLD FLASH. MOLD FLASH ON E-PAD SHALL NOT EXCEED 0.254mm (.010") PER SIDE.

REVISION HISTORY

REV	DATE	DESCRIPTION	PAGE NUMBER
A	5/14	Clarified V_{CC} Leakage to V_{IN} if $V_{CC} > V_{IN}$: from $-7\mu A$ to $-27\mu A$	4
B	10/14	Clarified PGOOD Pin Description Clarified Operation Paragraph	9 16

TYPICAL APPLICATION

TEG Powered Converter Operates from a 10°C Temperature Differential and Provides 3.3V at 25mA for 50ms Every 15 Seconds for a Wireless Sensor



RELATED PARTS

PART NUMBER	DESCRIPTION	COMMENTS
LTC3103	15V, 300mA Synchronous Step-Down DC/DC Converter with Ultralow Quiescent Current	$V_{IN(MIN)} = 2.2V$, $V_{IN(MAX)} = 15V$, $V_{OUT(MIN)} = 0.8V$, $I_Q = 1.8\mu A$, $I_{SD} < 1\mu A$, 3mm x 3mm DFN-10, MSOP-10 Packages
LTC3104	15V, 300mA Synchronous Step-Down DC/DC Converter with Ultralow Quiescent Current and 10mA LDO	$V_{IN(MIN)} = 2.2V$, $V_{IN(MAX)} = 15V$, $V_{OUT(MIN)} = 0.8V$, $I_Q = 2.8\mu A$, $I_{SD} < 1\mu A$, 4mm x 3mm DFN-14, MSOP-16 Packages
LTC3105	400mA Step-up Converter with MPPC and 250mV Start-Up	$V_{IN(MIN)} = 0.2V$, $V_{IN(MAX)} = 5V$, $V_{OUT(MIN)} = 0.525V_{MAX}$, $I_Q = 22\mu A$, $I_{SD} < 1\mu A$, 3mm x 3mm DFN-10/MSOP-12 Packages
LTC3112	15V, 2.5A, 750kHz Monolithic Synch Buck/Boost	$V_{IN(MIN)} = 2.7V$, $V_{IN(MAX)} = 15V$, $V_{OUT(MIN)} = 2.7V$ to 14V, $I_Q = 50\mu A$, $I_{SD} < 1\mu A$, 4mm x 5mm DFN-16 TSSOP-20E Packages
LTC3115-1	40V, 2A, 2MHz Monolithic Synch Buck/Boost	$V_{IN(MIN)} = 2.7V$, $V_{IN(MAX)} = 40V$, $V_{OUT(MIN)} = 2.7V$ to 40V, $I_Q = 50\mu A$, $I_{SD} < 1\mu A$, 4mm x 5mm DFN-16 and TSSOP-20E Packages
LTC3531	5.5V, 200mA, 600kHz Monolithic Synch Buck/Boost	$V_{IN(MIN)} = 1.8V$, $V_{IN(MAX)} = 5.5V$, $V_{OUT(MIN)} = 2V$ to 5V, $I_Q = 16\mu A$, $I_{SD} < 1\mu A$, 3mm x 3mm DFN-8 and ThinSOT Packages
LTC3388-1/ LTC3388-3	20V, 50mA High Efficiency Nano Power Step-Down Regulator	$V_{IN(MIN)} = 2.7V$, $V_{IN(MAX)} = 20V$, $V_{OUT(MIN)} = \text{Fixed } 1.1V$ to 5.5V, $I_Q = 720nA$, $I_{SD} = 400nA$, 3mm x 3mm DFN-10, MSOP-10 Packages
LTC3108/ LTC3108-1	Ultralow Voltage Step-Up Converter and Power Manager	$V_{IN(MIN)} = 0.02V$, $V_{IN(MAX)} = 1V$, $V_{OUT(MIN)} = \text{Fixed } 2.35V$ to 5V, $I_Q = 6\mu A$, $I_{SD} < 1\mu A$, 3mm x 4mm DFN-12, SSOP-16 Packages
LTC3109	Auto-Polarity, Ultralow Voltage Step-Up Converter and Power Manager	$V_{IN(MIN)} = 0.03V$, $V_{IN(MAX)} = 1V$, $V_{OUT(MIN)} = \text{Fixed } 2.35V$ to 5V, $I_Q = 7\mu A$, $I_{SD} < 1\mu A$, 4mm x 4mm QFN-20, SSOP-20 Packages
LTC3588-1	Piezo Electric Energy Harvesting Power Supply	$V_{IN(MIN)} = 2.7V$, $V_{IN(MAX)} = 20V$, $V_{OUT(MIN)} = \text{Fixed } 1.8V$ to 3.6V, $I_Q = 950nA$, $I_{SD} = 450nA$, 3mm x 3mm DFN-10, MSOP-10E Packages
LTC4070	Li-Ion/Polymer Low Current Shunt Battery Charger System	$V_{IN(MIN)} = 450nA$ to 50mA, $V_{FLOAT} + 4.0V, 4.1V, 4.2V$, $I_Q = 300nA$, 2mm x 3mm DFN-8, MSOP-8 Packages

31291fb