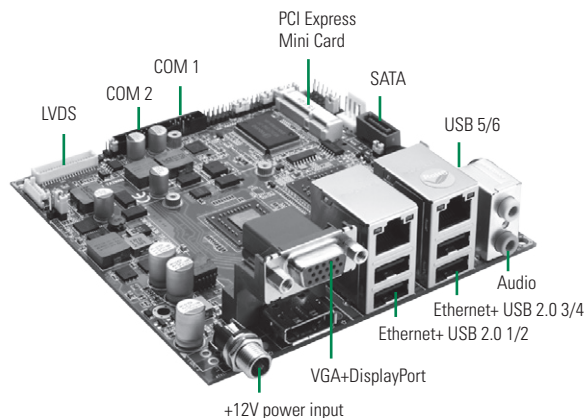


NANO100

AMD G-Series APU Nano-ITX SBC with AMD A50M FCH, LVDS/DisplayPort/VGA, Dual LANs and Audio



System

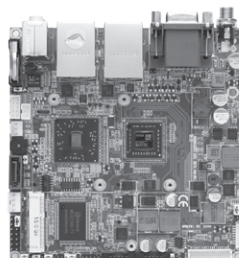
CPU	AMD G-Series APU T56N 1.65 GHz dual core onboard
System Memory	1 x 204-pin SO-DIMM supports DDR3-1333 max. up to 4 GB
Chipset	AMD A50M FCH
BIOS	AMI UEFI BIOS
SSD	1 x CFast™
Watchdog Timer	255 levels, 1~255 sec.
Expansion Interface	1 x PCI Express Mini Card V1.2
Battery	Lithium 3V/220mAH
Power Input	DC power jack connector +12V DC-in only AT Auto Power ON function supported
Power Requirement	AMD G-Series APU T56N @1.65 GHz, 1 GB DDR3 Max. RMS: +12V @ 1.65A
Size	120 x 120mm
Board Thickness	1.6 mm
Operating Temperature	0°C ~ +60°C (32°F ~ 140°F), operation
Relative Humidity	10% ~ 95% relative humidity, non-condensing

I/O

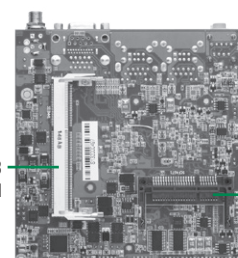
MIO	1 x RS-232/422/485 (COM 1); with +5V/+12V powered 1 x RS-232 (COM 2); with +5V/+12V powered
SATA	1 x SATA-600
Hardware Monitoring	Detect CPU/system temperature, voltage and fan speed
Ethernet	2 ports as 10/100/1000Mbps support Wake-on-LAN, RPL/PXE Boot ROM with Realtek RTL8111E
Audio	HD Codec audio as MIC-in/Line-out with Realtek ALC662
USB	6 x USB 2.0
SMBus	System Management Bus for advanced monitoring/control
Digital I/O	8 channels IN/OUT programmable

Features

- AMD G-Series APU T56N (1.65 GHz)
- 1 DDR3 SO-DIMM supports up to 4 GB memory capacity
- 6 USB 2.0 ports
- Supports CFast™, PCI Express Mini Card
- DirectX 11 supported
- Display: LVDS/DisplayPort/VGA



▲ Top view



▲ Rear view



▲ Internal power connector (Optional)

Display

Chipset	AMD G-Series APU integrated graphic engine T56N-Radeon™ HD6320
Memory Size	Max. up to 2 GB in 4 GB DDR3 module
Display Interface	1 x VGA 1 x DisplayPort 1 x LVDS; 18/24-bit single/dual channel

Packing List

Standard

Quick installation guide, user's manual/utility CD, cable

Cable

Part Number	Description	Qty
59382620000E	1 x COM cable w/ bracket P=2.0 mm, L=300 mm	1

Optional

59382631000E	2 x USB 2.0 wafer cable w/ bracket 180 mm
59070213000E	DisplayPort to VGA cable, L=100 mm
59040131000E	DisplayPort to DVI cable, L=220 mm
59050203000E	DisplayPort to HDMI cable, L=185 mm
59091501000E	DisplayPort to DisplayPort cable, L=1500 mm

Ordering Information

Standard

NANO100VPGGA-T56N (P/N: E38K100100)	Nano-ITX SBC with AMD G-Series APU T56N 1.65 GHz, A50M FCH, VGA/DisplayPort/ LVDS, 2 GbE LAN, 2 COM, 6 USB, CFast™ and audio
--	--