

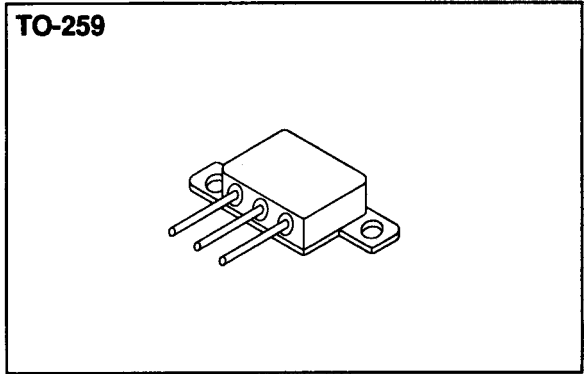
**SDR9100PHC
 thru
 SDR9102PHC**

Designer's Data Sheet

- FEATURES:**
- Hot Case
 - Hyper Fast Recovery: 35 nsec Maximum
 - High Surge Rating
 - Hermetically Sealed Low Profile Package
 - Ultrasonic Aluminum Wire Bonds
 - Ceramic Seals for improved hermeticity

 - TX, TXV and Space Level Screening Available

**100 AMP
 100-200 VOLTS
 35 nsec
 HYPER FAST
 RECTIFIER**



MAXIMUM RATINGS

RATING	SYMBOL	VALUE	UNIT
Peak Repetitive Reverse and DC Blocking Voltage	VRRM VRWM VR	100 150 200	Volts
Average Rectified Forward Current (Resistive Load, 60Hz, Sine Wave, TA=25°C) note 1	IO	100	Amps
Peak Surge Current (8.3 ms Pulse, Half Sine Wave Superimposed on IO, allow junction to reach equilibrium between pulses, TA=25°C)note 1	IFSM	800	Amps
Operating and storage temperature	Top & Tstg	-65 to +200	°C
Maximum Thermal Resistance Junction to Case, note 1	RθJC	0.35	°C/W

Note 1 All anodes (PIN 1-3) connected together

**SDR9100PHC
thru
SDR9102PHC**

PRELIMINARY



SOLID STATE DEVICES, INC

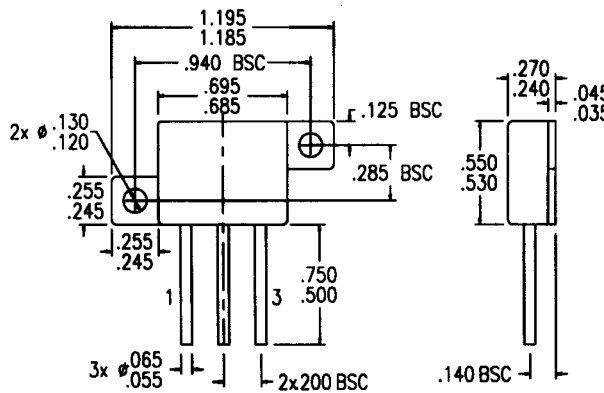
14849 Firestone Boulevard · La Mirada, CA 90638
Phone: (714) 670-SSDI (7734) · Fax: (714) 522-7424

ELECTRICAL CHARACTERISTICS

CHARACTERISTICS	SYMBOL	MAXIMUM	UNIT
Instantaneous Forward Voltage Drop (IF = 50 Adc, TA=25°C, 300µs Pulse)	VF	0.9	Vdc
Instantaneous Forward Voltage Drop (IF = 50 Adc, TA= - 55°C, 300µs Pulse)	VF	1.0	Vdc
Reverse Leakage Current (Rated VR, TA=25°C, 300µs pulse minimum)	IR	200	µA
Reverse Leakage Current (Rated VR, TA=100°C, 300µs pulse minimum)	IR	20	mA
Junction Capacitance (VR = 10 Vdc, TA=25°C, f= 1 MHz)	CJ	900	pf
Reverse Recovery Time (IF=500mA, IR=1 A, IRR=250mA, TA=25°C)	trr	35	nsec

CASE OUTLINE: TO-259

**PIN 1: ANODE
PIN 2: ANODE
PIN 3: ANODE
CASE: CATHODE**



TYPICAL OPERATING CURVES

TA=25°C Unless otherwise specified

