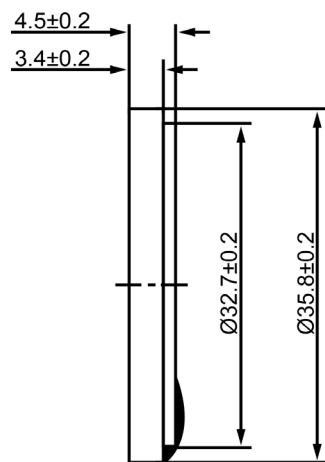
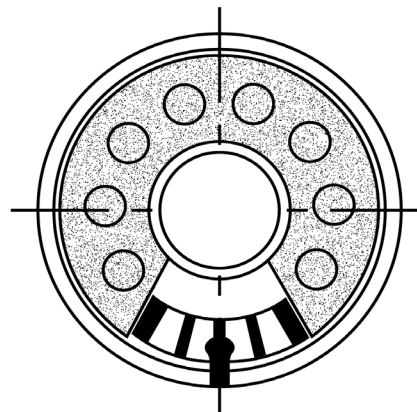




SIDE VIEW



BOTTOM VIEW



Specifications			Notes	Revision History							
Description	Value	Unit		Version	Description		Date	Approved			
Shape	Round		1) All dimensions are in mm unless otherwise noted 2) All parts meet RoHS	1	Released from Engineering		10/21/2013	J.S			
Resonant Frequency	500	(Hz)									
Frequency Range	500 ~ 5,000	(Hz)									
SPL @ 10cm	89	(dBA)									
Impedance	8	(Ohm)									
Cone Material	Mylar										
Nominal Power	0.5	(W)									
Max Power	1	(W)									
Mount Type	Flush Mount										
Operating Temperature	-25 ~ +60	°C									
Storage Temperature	-25 ~ +60	°C									
Weight	8.5	(g)									
 <b>DB UNLIMITED</b>			 <b>DB UNLIMITED</b>			<b>Dynamic Speaker</b>		<b>SM350508-1</b>			
						Drawn by: A.B.    Date: 10/21/2013    Checked by: C.E.    Date: 10/21/2013    Approved by: J.S    Date: 10/21/2013					