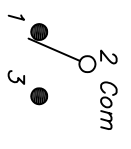


RECOMMENDED P.C.B. LAYOUT

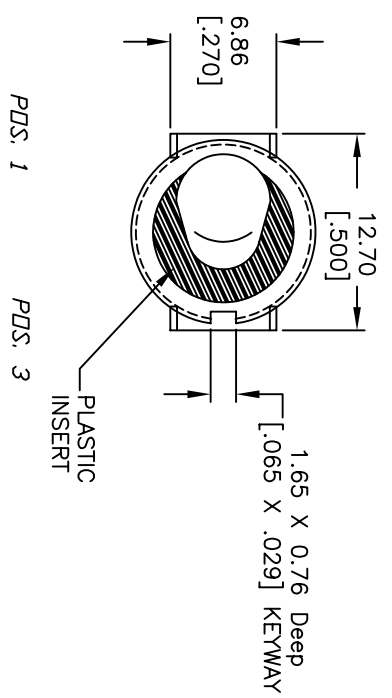


CIRCUIT: SPDT

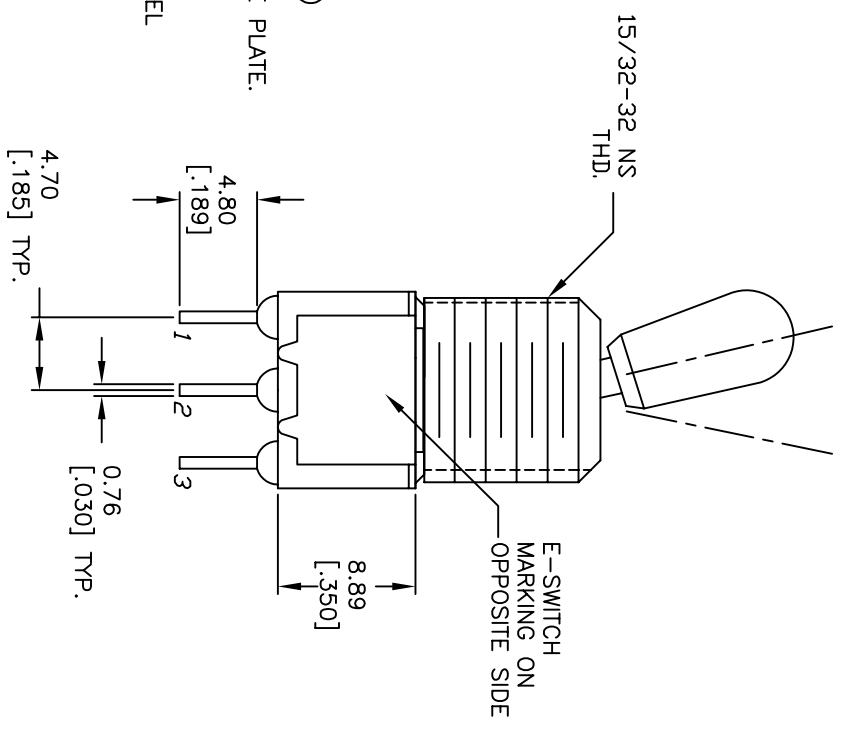
SWITCH FUNCTION		
PDS. 1	PDS. 2	PDS. 3
DN	NONE	DN
2-3	OPEN	2-1

NOTES:

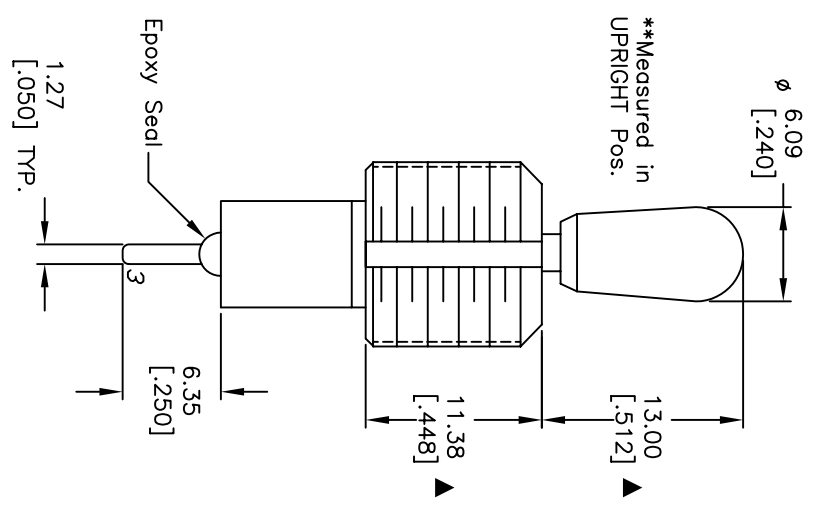
1. ALL DIMENSIONS IN MM [INCH]
2. GENERAL TOLERANCE: X.X=±0.4
X.XX=±0.25
3. TERM. NOS. FOR REF. ONLY
4. RATING: 0.4(VA) Max. @20V Max. (AC OR DC)
5. FIXED TERM. & MOVING CONTACT;
COPPER ALLOY W/GOLD PLATE OVER NICKLE PLATE.
6. ELECTRICAL LIFE: 50,000 MAKE-AND-BREAK
CYCLES AT FULL LOAD.
7. INSULATION RESISTANCE: 1,000M OHM MIN.
8. DIELECTRIC STRENGTH: 1000V RMS @SEA LEVEL
9. OPERATING TEMP.: -30°C to 85°C
10. ▲ DENOTES CRITICAL PARAMETER.
11. 2002/95/EC (ROHS) COMPLIANT



PDS. 1 PDS. 3



▲ **Measured in UPRIGHT Pos. [0.512]



C	15491	ADD ROHS NOTE	11/2/05	PH
B	14164	UPDATE ACTUATOR	7/13/05	AR
A	13278	RELEASED	7/10/03	AR
REV.	ECN No.	DESCRIPTION	DATE	CHKD

TITLE		SCALE	DATE	DR	DWG	REV
100SP1T7B13M2RE		2:1	7/10/03	AR	T110019	C
E-SWITCH®						

THE INFORMATION CONTAINED IN THIS DOCUMENT IS PROPRIETARY TO E-SWITCH AND IS NOT TO BE COPIED OR TRANSFERRED