



## U74HC04

CMOS IC

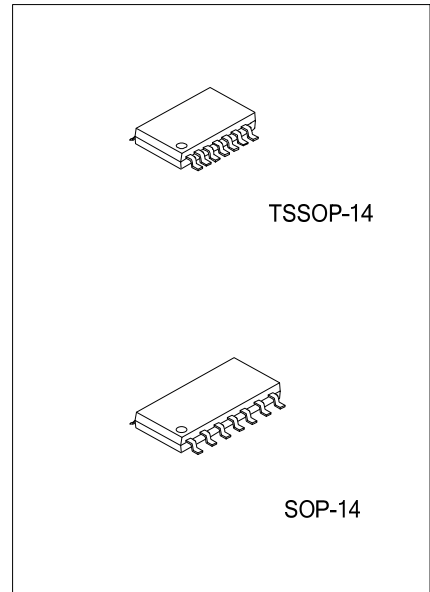
### HEX INVERTERS

#### DESCRIPTION

The U74HC04 devices contain six independent inverters. They perform the Boolean function  $Y = \bar{A}$  in positive logic.

#### FEATURES

- \* Wide Operating Voltage Range of 2V to 6V
- \* Outputs Can Drive Up To 10 LSTTL Loads
- \* Low Power Consumption, 2µA Max I<sub>cc</sub>
- \* Typical t<sub>pd</sub>=8ns
- \* ±4mA Output Drive at 5V
- \* Low Input Current of 1uA Max

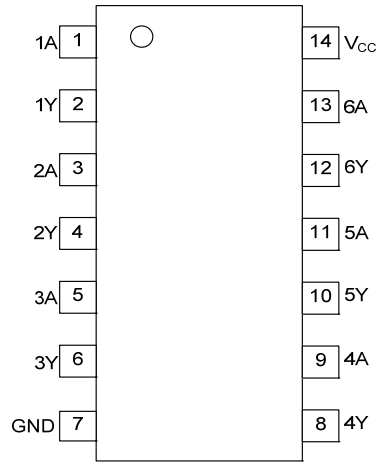


#### ORDERING INFORMATION

Ordering Number		Package	Packing
Lead Free	Halogen Free		
U74HC04L-S14-R	U74HC04G-S14-R	SOP-14	Tape Reel
U74HC04L-S14-T	U74HC04G-S14-T	SOP-14	Tube
U74HC04L-P14-R	U74HC04G-P14-R	TSSOP-14	Tape Reel
U74HC04L-P14-T	U74HC04G-P14-T	TSSOP-14	Tube

<p>U74HC04L-P14-T</p> <p>(1)Packing Type (2)Package Type (3)Lead Free</p>	<p>(1) R: Tape Reel, T: Tube (2) P14: TSSOP-14, S14: SOP-14 (3) L: Lead Free, G: Halogen Free</p>
-----------------------------------------------------------------------------------	-----------------------------------------------------------------------------------------------------------

■ PIN CONFIGURATION



■ FUNCTION TABLE (each gate)

INPUT(A)	OUTPUT(Y)
L	H
H	L

■ LOGIC DIAGRAM (positive logic)

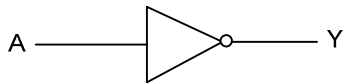


Fig.1 logic diagram for U74HC04

■ ABSOLUTE MAXIMUM RATING (unless otherwise specified)(Note 2)

PARAMETER	SYMBOL	RATINGS	UNIT
Supply Voltage	$V_{CC}$	-0.5~7	V
Input Clamp Current( $V_I < 0$ )	$I_{IK}$	$\pm 20$	mA
Output Clamp Current( $V_O < 0$ )	$I_{OK}$	$\pm 20$	mA
Output Current	$I_{OUT}$	$\pm 25$	mA
$V_{CC}$ or GND Current	$I_{CC}$	$\pm 50$	mA
Storage Temperature	$T_{STG}$	-65 ~ +150	°C

Note: 1. Absolute maximum ratings are those values beyond which the device could be permanently damaged.

Absolute maximum ratings are stress ratings only and functional device operation is not implied.

2. The input and output voltage ratings may be exceeded if the input and output current ratings are observed.

■ THERMAL DATA

PARAMETER	SYMBOL	RATINGS	UNIT
Junction to Ambient	$\theta_{JA}$	86	°C/W
		113	

■ RECOMMENDED OPERATING CONDITIONS

PARAMETER	SYMBOL	CONDITIONS	MIN	TYP	MAX	UNIT
Supply Voltage	$V_{CC}$	Operating	2	5	6	V
Input Voltage	$V_I$		0		$V_{CC}$	V
Output Voltage	$V_O$		0		$V_{CC}$	V
Operating Temperature	$T_A$		-40		+85	°C
Input transition rise/fall time	$\Delta t/\Delta v$	$V_{CC}=2V$			1000	ns
		$V_{CC}=4.5V$			500	
		$V_{CC}=6V$			400	

■ STATIC CHARACTERISTICS

PARAMETER	SYMBOL	TEST CONDITIONS	MIN	TYP	MAX	UNIT
Positive-Going Input Threshold Voltage	$V_{IH}$	$V_{CC}=2V$	1.5			V
		$V_{CC}=4.5V$	3.15			
		$V_{CC}=6V$	4.2			
Negative-Going Input Threshold Voltage	$V_{IL}$	$V_{CC}=2V$			0.5	V
		$V_{CC}=4.5V$			1.35	
		$V_{CC}=6V$			1.8	
High-Level Output Voltage	$V_{OH}$	$V_{CC}=2V, I_{OH}=-20\mu A$	1.9	1.998		V
		$V_{CC}=4.5V, I_{OH}=-20\mu A$	4.4	4.499		V
		$V_{CC}=6V, I_{OH}=-20\mu A$	5.9	5.999		V
		$V_{CC}=4.5V, I_{OH}=-4mA$	3.98	4.3		V
		$V_{CC}=6V, I_{OH}=-5.2mA$	5.48	5.8		V
Low-Level Output Voltage	$V_{OL}$	$V_{CC}=2V, I_{OH}=20\mu A$		0.002	0.1	V
		$V_{CC}=4.5V, I_{OH}=20\mu A$		0.001	0.1	V
		$V_{CC}=6V, I_{OH}=20\mu A$		0.001	0.1	V
		$V_{CC}=4.5V, I_{OH}=4mA$		0.17	0.26	V
		$V_{CC}=6V, I_{OH}=5.2mA$		0.15	0.26	V
Input Leakage Current	$I_I$	$V_{CC}=6V, V_I=V_{CC}$ or GND		$\pm 0.1$	$\pm 100$	nA
Quiescent Supply Current	$I_{CC}$	$V_{CC}=6V, V_I=V_{CC}$ or GND $I_O=0$			2	$\mu A$
Input Capacitance	$C_I$	$V_{CC}=2V$ to 6V		3	10	pF

■ DYNAMIC CHARACTERISTICS (Input:  $t_R, t_F=6ns, C_L=50pF; PRR\leq 1MHz$ )

See Fig. 2 and Fig. 3 for test circuit and waveforms.

PARAMETER	SYMBOL	TEST CONDITIONS	MIN	TYP	MAX	UNIT
Propagation delay from input (A) to output(Y)	$t_{PLH}/t_{PHL}$	$V_{CC}=2V$		45	95	ns
		$V_{CC}=4.5V$		9	19	ns
		$V_{CC}=6V$		8	16	ns
Rise/fall time for output(Y)	$t_t$	$V_{CC}=2V$		38	75	ns
		$V_{CC}=4.5V$		8	15	ns
		$V_{CC}=6V$		6	13	ns

■ OPERATING CHARACTERISTICS

PARAMETER	SYMBOL	TEST CONDITIONS	MIN	TYP	MAX	UNIT
Power Dissipation Capacitance	$C_{PD}$	No Load		20		pF

■ TEST CIRCUIT AND WAVEFORMS

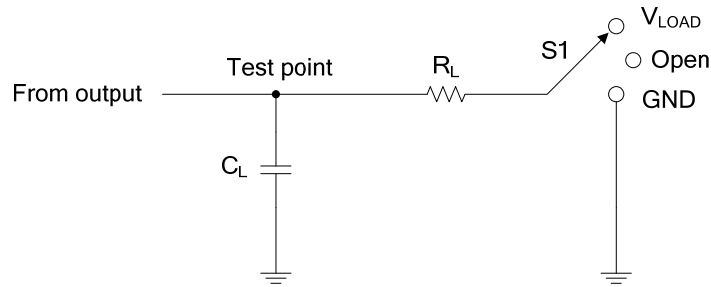
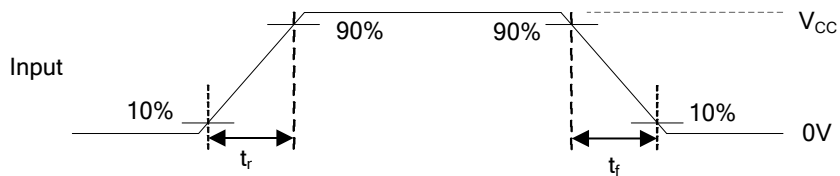


Fig. 2 TEST CIRCUIT

TEST	S1
$t_{PLH}/t_{PHL}$	Open

Inputs		$V_M$	$V_{LOAD}$	$C_L$
$V_{IN}$	$t_r, t_f$			
$V_{CC}$	6 ns	$V_{CC}/2$	$V_{CC}$	50 pF



VOLTAGE WAVEFORMS  
INPUT RISE AND FALL TIMES

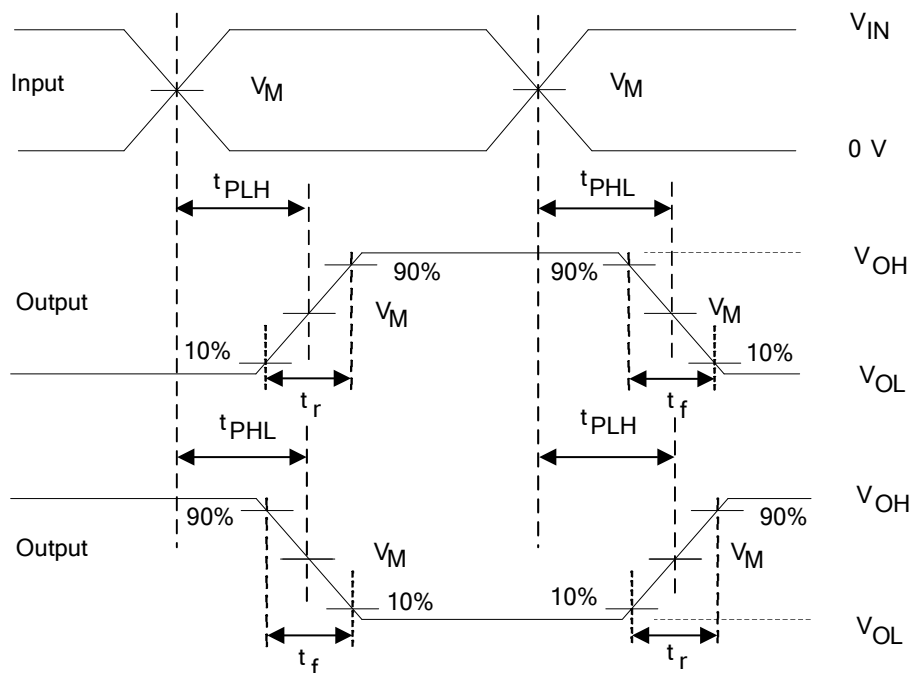


Fig3 VOLTAGE WAVEFORMS  
PROPAGATION DELAY AND OUTPUT TRANSITION TIMES

UTC assumes no responsibility for equipment failures that result from using products at values that exceed, even momentarily, rated values (such as maximum ratings, operating condition ranges, or other parameters) listed in products specifications of any and all UTC products described or contained herein. UTC products are not designed for use in life support appliances, devices or systems where malfunction of these products can be reasonably expected to result in personal injury. Reproduction in whole or in part is prohibited without the prior written consent of the copyright owner. The information presented in this document does not form part of any quotation or contract, is believed to be accurate and reliable and may be changed without notice.