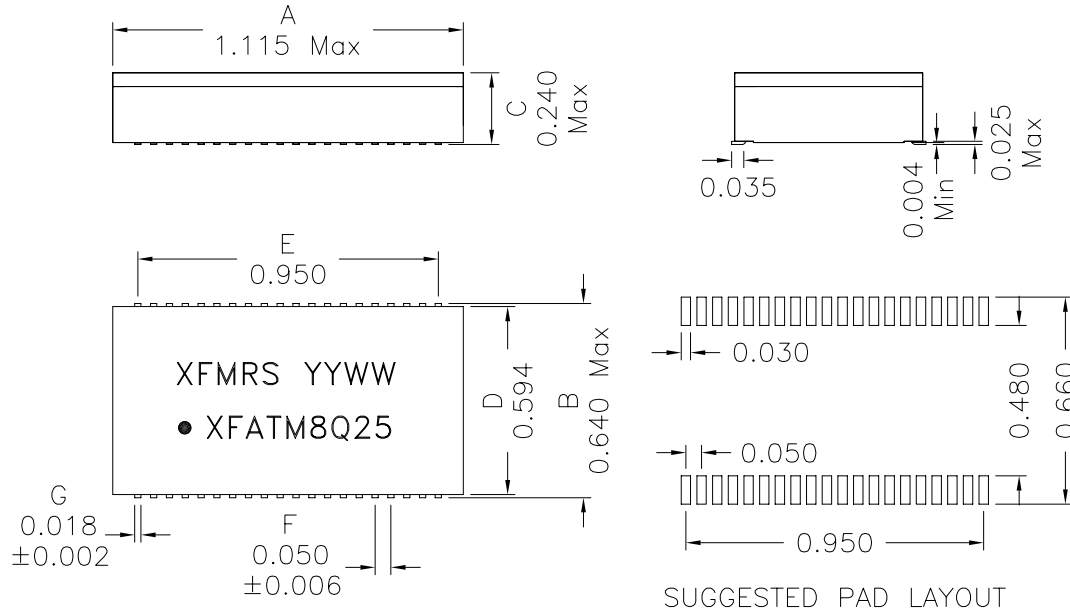


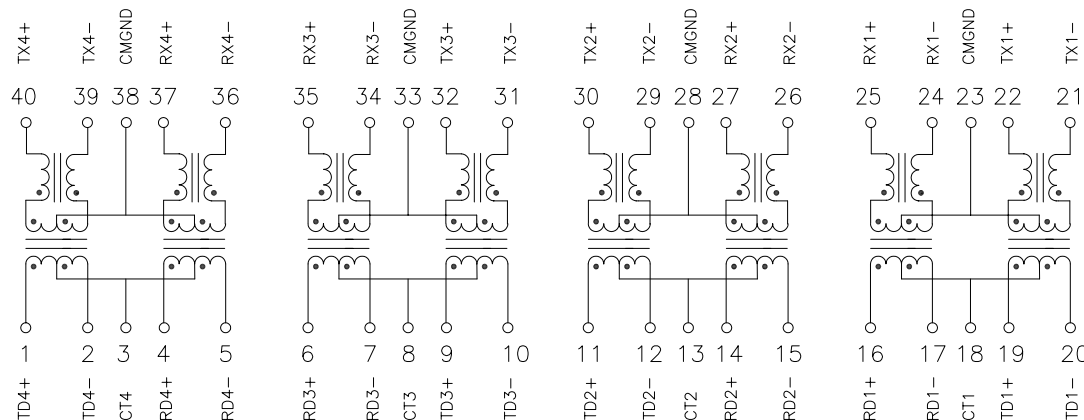
1. Mechanical Dimensions:



3. Electrical Specifications: @25°C

Isolation: 1500Vrms (PRI to SEC)
 TX Turns Ratio: 1CT:1CT (PRI:SEC)
 RCV Turns Ratio: 1CT:1CT (PRI:SEC)
 PRI OCL: 350uH Minimum @100KHz 100mV 8mAdc
 Insertion Loss: 1.0 dB Max @100KHz – 100MHz
 Return Loss: –18dB Min, 2–30 MHz
 –14.4dB Min, 40 MHz
 –13.1dB Min, 50 MHz
 –12dB Min, 60–80 MHz
 Crosstalk: –55dB Min, 1 KHz
 –45dB Min, 30 MHz
 –40dB Min, 60 MHz
 –33dB Min, 100 MHz
 Differential to Common Mode Rejection:
 –37dB Min, 1–60 MHz
 –25dB Min, 60–200 MHz
 Q: 5 Min @10KHz 50mV

2. Schematic:



Notes:

1. Solderability: Leads shall meet MIL-STD-202G, Method 208H for solderability.
2. Flammability: UL94V-0
3. ASTM oxygen index: > 28%
4. Insulation System: Class F 155°C. UL file E151556
5. Operating Temperature Range: All listed parameters are to be within tolerance from –40°C to +85°C
6. Storage Temperature Range: –55°C to +125°C
7. Aqueous wash compatible
8. SMD Lead Coplanarity: ±0.004" (0.102mm)
9. Electrical and mechanical specifications 100% tested
10. RoHS Compliant Component

DOC. REV: B/1

XFMRS Inc www.XFMRS.com	Title: 10/100BASE-TX		
	UNLESS OTHERWISE SPECIFIED TOLERANCES:		REV. B
.xxx ±0.010	DWN.	Feng	Aug-16-11
Dimensions in INCH	CHK.	YK Liao	Aug-16-11
SHT 1 OF 1	APP.	BW	Aug-16-11

PROPRIETARY

Document is the property of XFMRS Group & is not allowed to be duplicated without authorization.