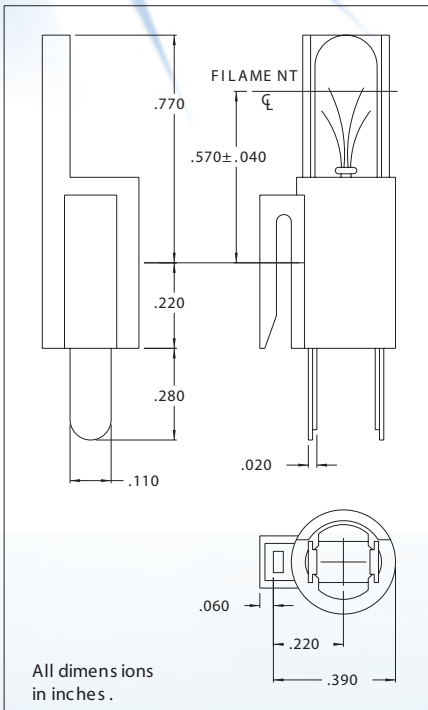


4150,4150R and 4150L Series Relampable Socket

DESCRIPTION AND FEATURES



- Mounting: Snap-on edge or center
- Mounting pattern on page S P 1.
- Terminals: Tinned brass
- Housing: White nylon
- Lamp: T-1 3/4 Wedge base
- Note: Lamps must be ordered separately.

SOCKET NO.	LIGHT SHIELD
4150L	LEFT HAND
4150R	RIGHT HAND AS (SHOWN)
4150	NONE