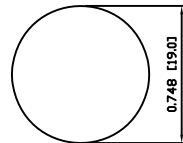
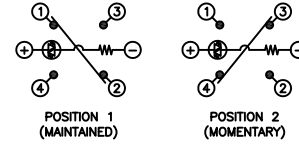


SUGGESTED PANEL CUTOUT



MAXIMUM PANEL THICKNESS: 0.472 [12.0mm]

SCHEMATIC



SPECIFICATIONS

FUNCTION:  
1PNO OFF-(ON) + 1PNC ON-(OFF)

RATING:  
2A 48VDC

ILLUMINATION VOLTAGE:  
12V 20mA

CONTACT RESISTANCE:  
Initial: 50mΩ Max. at 1A 12VDC

INSULATION RESISTANCE:  
1,000MΩ Min. at 500VDC

DIELECTRIC STRENGTH:  
2,000VAC Min. for 1 Minute

ELECTRICAL LIFE:  
50,000 Cycles

MECHANICAL LIFE:  
1,000,000 Cycles

TEMPERATURE:  
Operating: -20°C to 70°C

INGRESS PROTECTION:  
IP65

APPROVALS:  
**RoHS**  
COMPLIANT

MATERIALS

BUSHING:  
Aluminum

BASE:  
Polycarbonate (PC)

ACTUATOR:  
Aluminum  
Polycarbonate (PC)

HARDWARE:  
Nickel Plated Brass (H59)

SEALING:  
Silicone Rubber

INNER ASSEMBLY:  
Polyoxymethylene (POM)  
Polycarbonate (PC)  
Brass (H62)

SPRING:  
Stainless Steel (Cr18Ni9)

CONTACTS:  
Silver/Cadmium Oxide (AgCdO)

TERMINALS:  
Brass (H62)

O-RING:  
Silicone Rubber

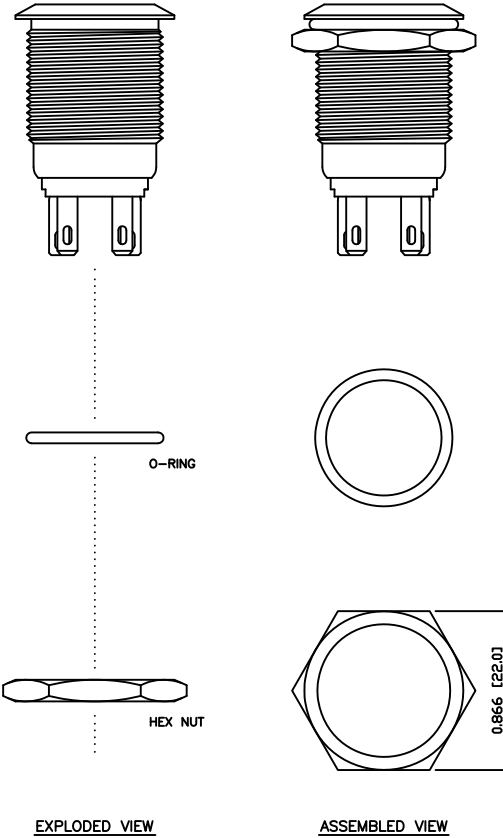
COLORS AND FINISH

BEZEL:  
Black  
Anodized Finish

ACTUATOR:  
Black  
Anodized Finish

ILLUMINATION:  
Blue (Forward)  
Blue (Reverse)

MARKING:  
None



BODY	A	09/07/24	CAB
COLORS	A	09/07/24	CAB
MATERIALS	B	09/10/16	CAB
SPECIFICATIONS	A	09/07/27	CAB
REFERENCE	REV.	DATE	BY

THE INFORMATION CONTAINED IN THIS DOCUMENT IS PROPRIETARY TO E-SWITCH AND IS NOT TO BE COPIED OR TRANSFERRED

A	INITIAL RELEASE	19328	10/11/01	CAB
REV.	DESCRIPTION	PCR	DATE	DRAWN BY

DIMENSIONS	
INCHES [MILLIMETERS]	
GENERAL TOLERANCES	
±0.008 [±0.2] / ±1'	
SCALE	PROJECTION
DRAWING NOT TO SCALE	1st Angle

PV4F2Y011-344			
ITEM NUMBER	DATE	REVISION	
52-PV4F2Y011344	NOVEMBER 1, 2010	A	