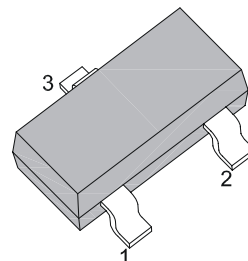


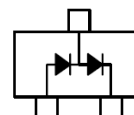
Three Terminals SMD Switching Diode

Features

- Silicon Epitaxial Planar Diode
- Ultra High Speed Switching Application
- High Conductance
- Electrically Identical to Standard JEDEC
- RoHS Compliant



SOT-23



Mechanical Data

Case:	SOT-23, Plastic Case
Terminals:	Solderable per MIL-STD-202G, Method 208
Weight:	Approx. 0.0088 gram

Maximum Ratings *(T_{Ambient}=25°C unless noted otherwise)*

Symbol	Description	BAV99-226	Unit
	Marking Code	C3	
VRM	Reverse Voltage	80	V
VRRM	Peak Reverse Voltage	85	V
IF(AV)	Forward Average Current	100*	mA
IFM	Peak Forward Current	300*	mA
IFSM	Peak Forward Surge Current (10mS)	2*	A
PD	Power Dissipation	150	mW
TJ	Junction Temperature	150	°C
TSTG	Storage Temperature Range	-55 to +150	°C

Note: *Unit Rating. Total Rating=Unit Rating x 0.7

Three Terminals SMD Switching Diode

BAV99-226

Electrical Characteristics ($T_{Ambient}=25^{\circ}C$ unless noted otherwise)

Symbol	Description	Min.	Typ.	Max.	Unit	Conditions
V_F	Forward Voltage	-	0.60	-	V	I _F =1mA
		-	0.72	-		I _F =10mA
		-	0.90	1.20		I _F =100mA
I_R	Reverse Current	-	-	0.5	μA	V _R =80V
C_T	Total Capacitance	-	0.9	3.0	pF	V _R =0V, f=1MHz
T_{rr}	Reverse Recovery Time	-	1.6	4.0	nS	I _F =10mA

Typical Characteristics Curves

Fig.1- I_F - V_F

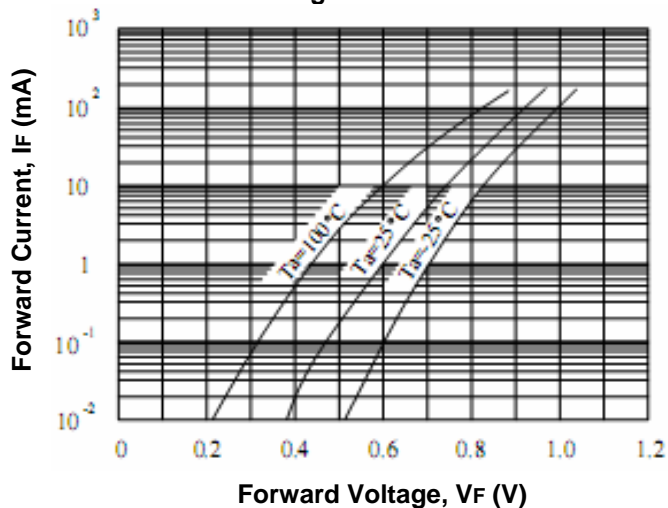
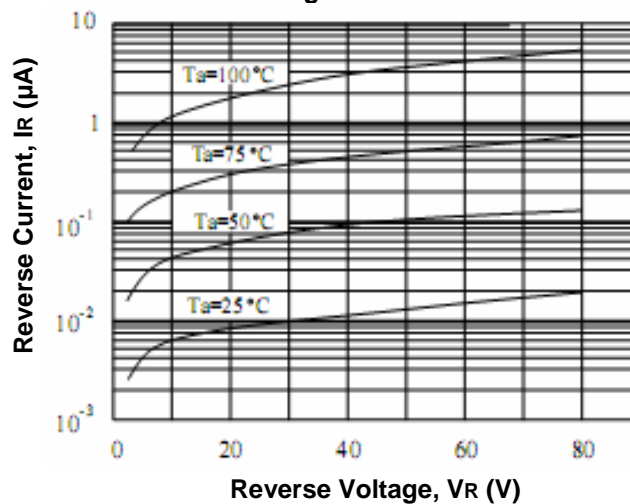


Fig.2- I_R - V_R



Three Terminals SMD Switching Diode

BAV99-226

Fig.3- C_T - V_R

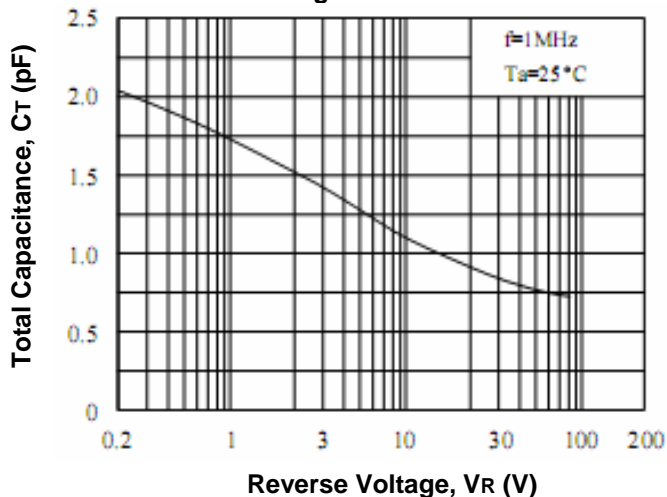


Fig.4- T_{rr} - I_F

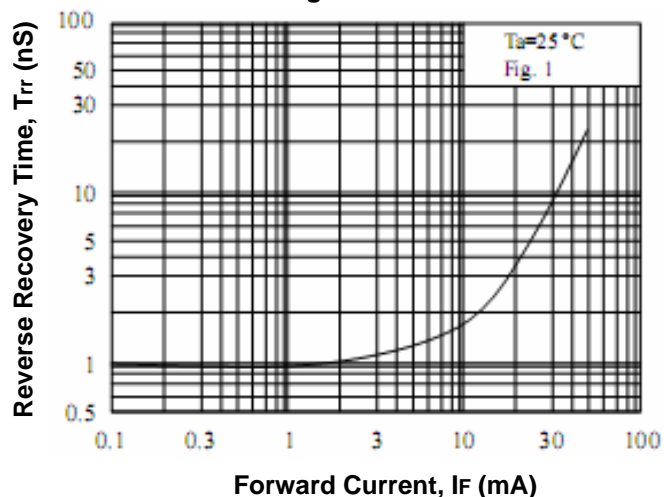
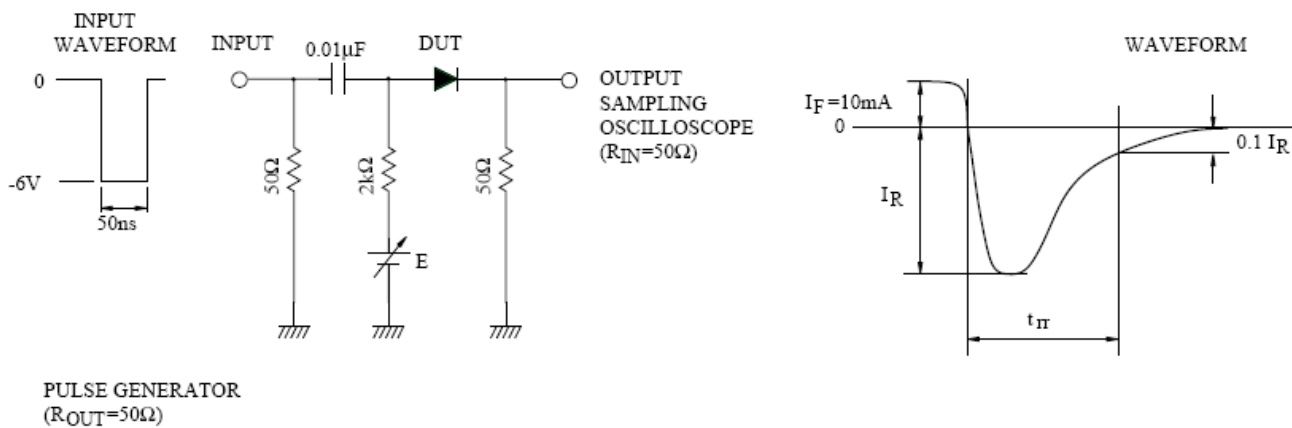


Fig.5- Reverse Recovery Time(t_{rr}) Test Circuit

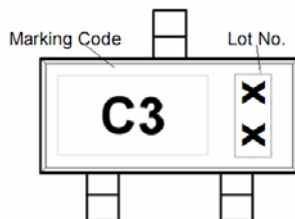


Three Terminals SMD Switching Diode

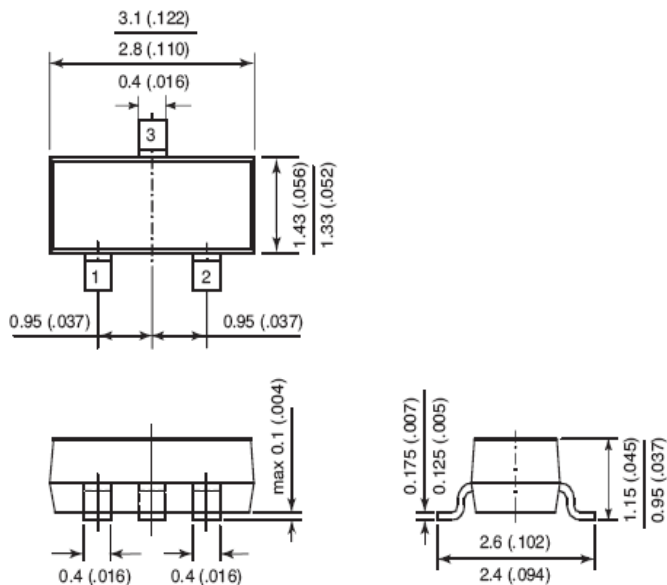
BAV99-226

Marking Information:

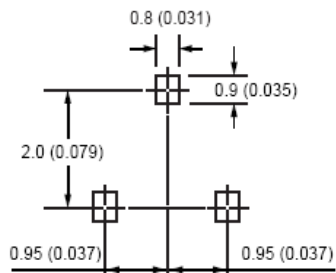
Laser Marking



Dimensions in mm (inch)



Mounting Pad Layout in mm (inch)



SOT-23



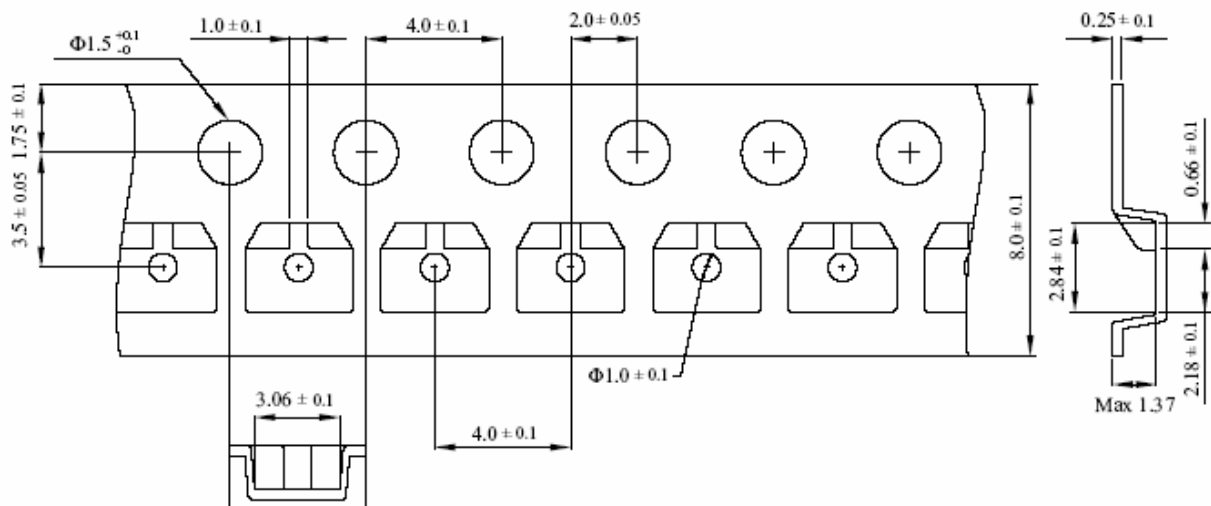
Rev. B/AH 2008-07-17

Three Terminals SMD Switching Diode

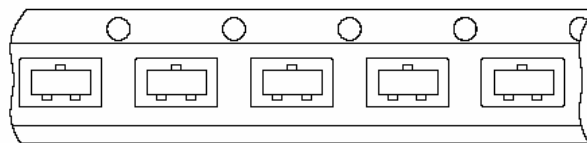
BAV99-226

Packing Information:

Carrier Tape Dimensions (in mm)



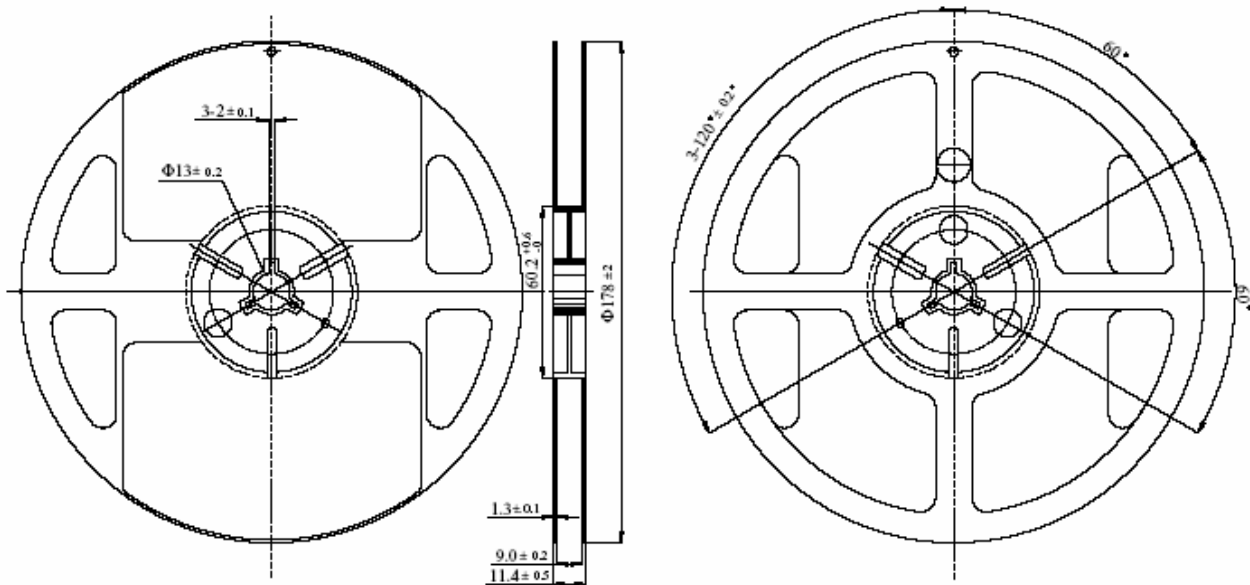
Device Tape Method



Three Terminals SMD Switching Diode

BAV99-226

Reel Dimensions (in mm)



Packing Quantity Information:

Quantity	PCS per Reel	PCS per Inner Box	PCS per Carton
-TR70 Tape & Reel	3,000	9,000	180,000

Inner Box & Carton Size Information:

Inner Box	Carton
185X185X40 (in mm)	432X395X213 (in mm)

Three Terminals SMD Switching Diode

BAV99-226

How to contact us:

US HEADQUARTERS

28040 WEST HARRISON PARKWAY, VALENCIA, CA 91355-4162
Tel: (800) TAITRON (800) 824-8766 (661) 257-6060
Fax: (800) TAITFAX (800) 824-8329 (661) 257-6415
Email: taitron@taitroncomponents.com
Http://www.taitroncomponents.com

TAITRON COMPONENTS MEXICO, S.A .DE C.V.

BOULEVARD CENTRAL 5000 INTERIOR 5 PARQUE INDUSTRIAL ATITALAQUIA, HIDALGO C.P. 42970
MEXICO
Tel: +52-55-5560-1519
Fax: +52-55-5560-2190

TAITRON COMPONENTS INCORPORATED REPRESENTAÇÕES DO BRASIL LTDA

RUA DOMINGOS DE MORAIS, 2777, 2.ANDAR, SALA 24 SAÚDE - SÃO PAULO-SP 04035-001 BRAZIL
Tel: +55-11-5574-7949
Fax: +55-11-5572-0052

TAITRON COMPONENTS INCORPORATED, SHANGHAI REPRESENTATIVE OFFICE

METROBANK PLAZA, 1160 WEST YAN' AN ROAD, SUITE 1503, SHANGHAI, 200052, CHINA
Tel: +86-21-5424-9942
Fax: +86-21-5424-9931