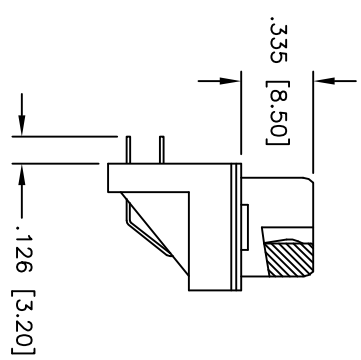
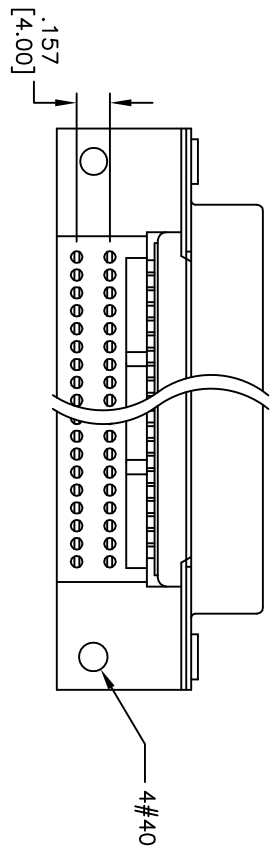
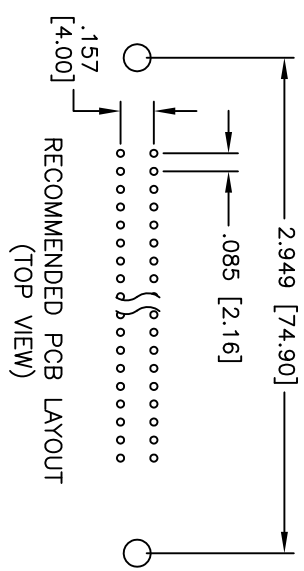
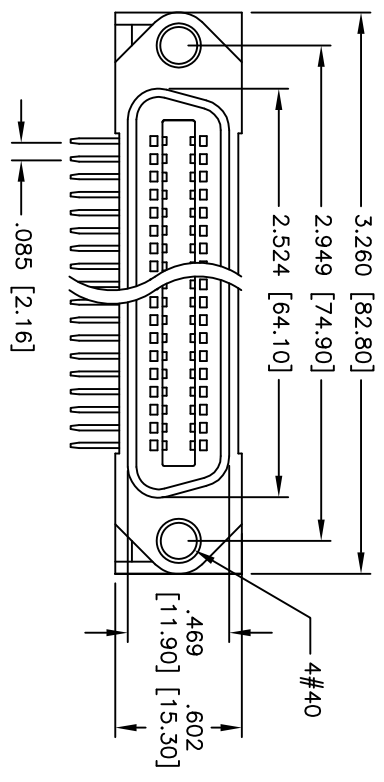


APPROVED: _____
 DATE: _____ TITLE: _____

| Rev | AWO # | Description | Date | Appr |
|-----|-------|-------------|----------|------|
| - | | RELEASED | 12/21/09 | |
| A | | REDRAWN | 7/08/10 | |



SPECIFICATIONS:

- Material: Insulator: PBT, glass reinforced, rated UL 94V-0
- Insulator color: Blue
- Contacts: Phosphor Bronze
- Shell: Steel, Nickel plated
- Plating: Gold flash over Nickel underplate on mating area, Tin over Copper underplate on tails

- Electrical: Current rating: 5 Amp max
- Contact resistance: 25 mohms max
- Insulation resistance: 1,000 Mohms min
- Dielectric withstanding voltage: 1,000 VAC for 1 minute
- Temperature Rating: Operating temperature: -55°C to +105°C

- Environmental: Lead free, RoHS compliant
- Recommended soldering temp: 235°C for 5 seconds



ADAM TECH

909 Rahway Avenue, Union, NJ 07083
 Phone: 908-687-5000 Fax: 908-687-5710

TITLE: MINIATURE RIBBON SOCKET, RIGHT ANGLE
 #4-40 INSERTS, REVERSE FACE

| | |
|--|-------------|
| UNLESS OTHERWISE SPECIFIED ALL DIMENSIONS ARE INCHES [MM] | |
| TOLERANCES: EXCEPT AS NOTED | |
| INCHES | HOLDS |
| .X ± .10 | ØX ± .10 |
| .XX ± .020 | ØXXX ± .015 |
| .XXX ± .015 | ØXXX ± .010 |
| APPROVALS | DATE |
| DRAWN SS | 12/21/09 |
| CHECKED | |
| APPROVED | |

| | | |
|--------|------------------------|--------------|
| SIZE X | PART NO. MR50-SD-44-RF | REV. A |
| REF: | SCALE: NTS | SHEET 1 OF 1 |