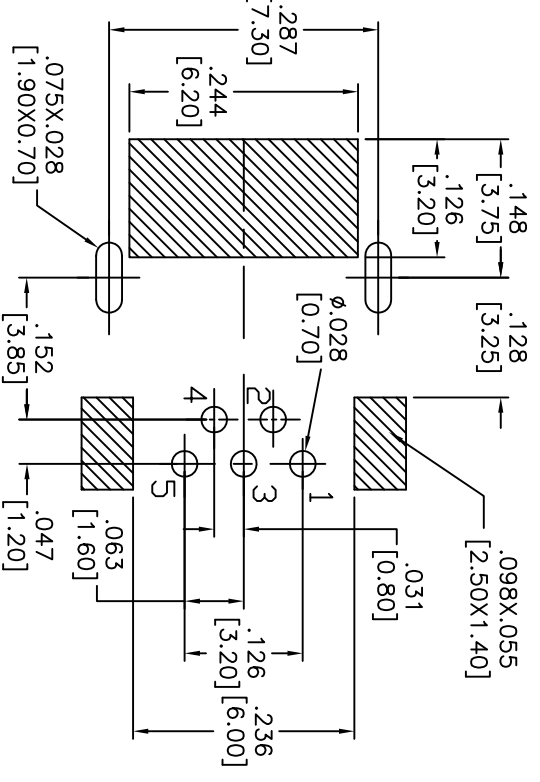
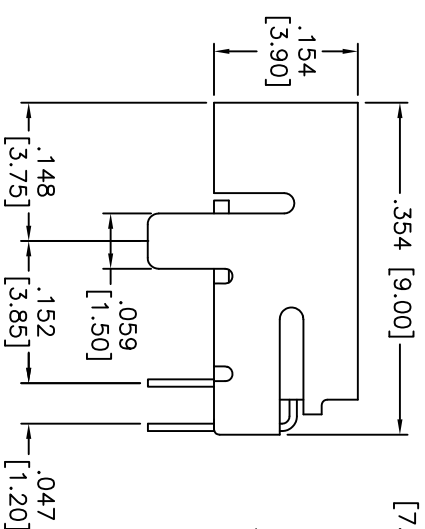
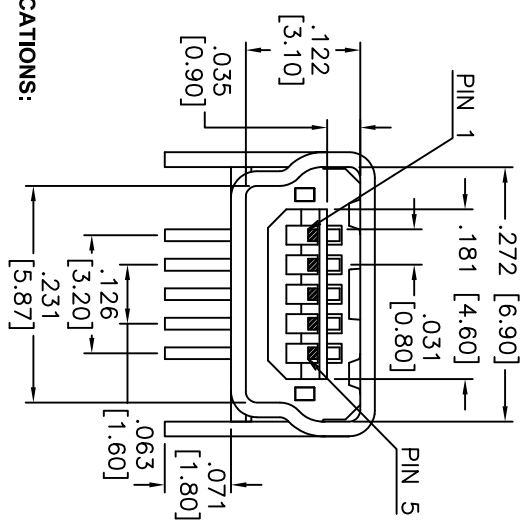
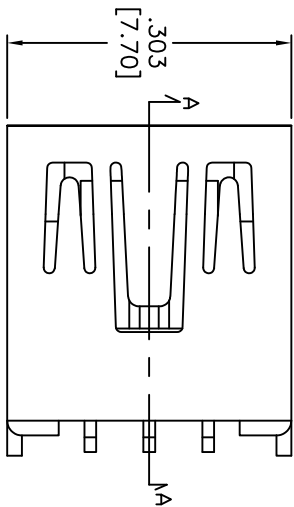


Rev	AWO #	Description	Date	Appr
-		RELEASED	7/26/10	

APPROVED: _____
 DATE: _____ TITLE: _____



SPECIFICATIONS:
 Material: Thermoplastic, glass reinforced, rated UL 94V-0
 Insulator color: Black
 Contacts: Brass
Plating:
 Gold Flash over Nickel underplate on contact area,
 Tin over Copper underplate on PCB tails

Electrical:
 Operating voltage: 30 VAC max
 Current rating: 1 Amps max
 Contact resistance: 50 Mohms max
 Insulation resistance: 100 Mohms min
 Dielectric withstanding voltage: 100 VAC for 1 minute

Temperature Rating:
 Operating temperature: -20°C to +60°C
 Environmental:
 Lead free, RoHS compliant.
 Recommended soldering temp: 235°C for 5 sec.



UNLESS OTHERWISE SPECIFIED	
ALL DIMENSIONS ARE INCHES [MM]	
TOLERANCES: EXCEPT AS NOTED	
.X	±.10
.XX	±.020
.XXX	±.015
Holes	
Ø.X	±.10
Ø.XXX	±.015
Ø.XXX	±.010
APPROVALS	
DRAWN	DY
CHECKED	
APPROVED	
DATE	
7/26/10	

ADAM TECH
 909 Ratway Avenue, Union, NJ 07083
 Phone: 908-687-5000 Fax: 908-687-5710
 TITLE: MINI USB, TYPE B, 5PIN, RIGHT ANGLE
 PCB MOUNT

SIZE	PART NO.	REV.
X	MUSB-B5-S-RA-2	