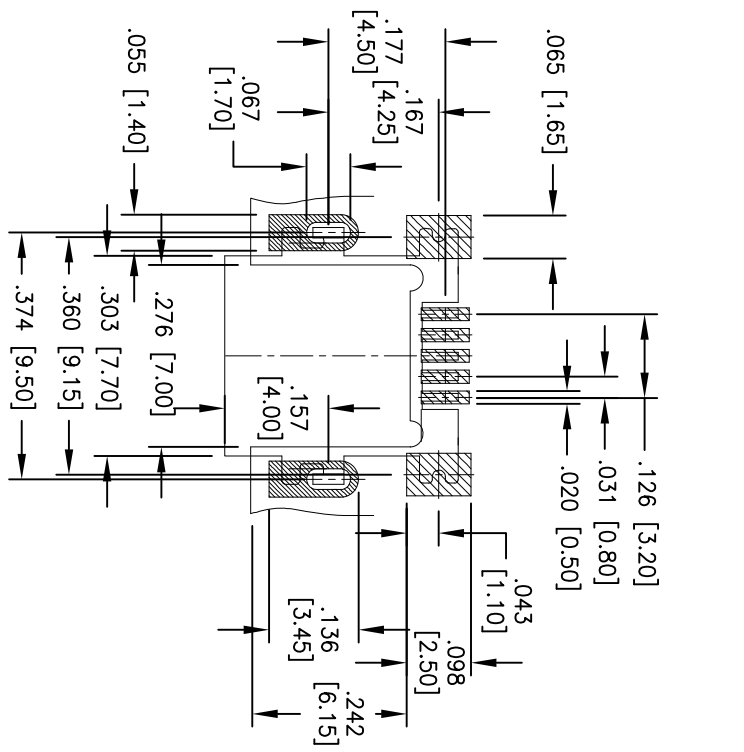
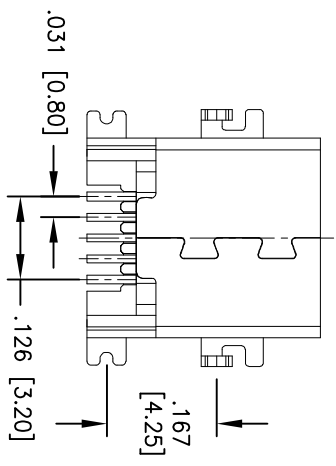
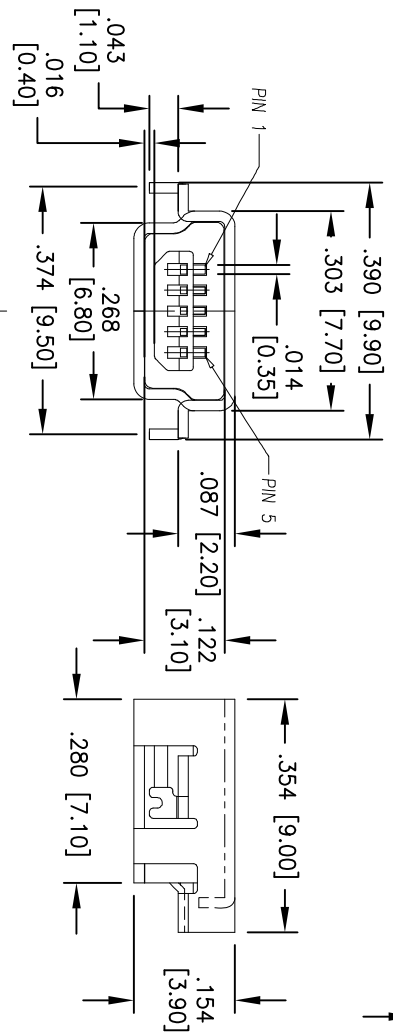
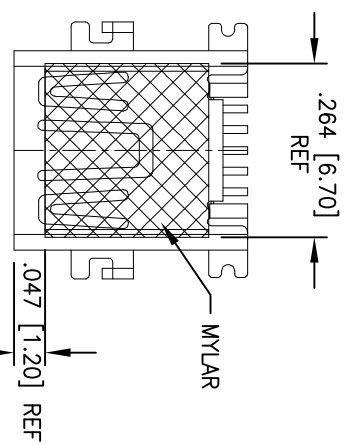
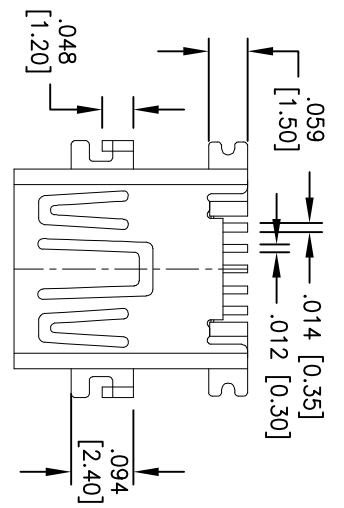


Rev	AWO #	Description	Date	Appr
-		RELEASED	1/17/11	

APPROVED: _____
 DATE: _____ TITLE: _____



Recommended PCB Layout



PACKAGED ON TAPE & REEL

SPECIFICATIONS:

- Material:**
 Insulator: LCP, rated UL94V-0
 Insulator color: Black
 Contacts: Phosphor Bronze
 Shell: Brass, Nickel plated
 Plating:
 Gold Flash over Nickel underplate on contact area, Tin over Copper underplate on SMT tails

- Electrical:**
 Current rating: 1.5 Amp max.
 Contact resistance: 30 mohms max.
 Insulation resistance: 100 Mohms min.
 Dielectric withstanding voltage: 100 VAC for 1 minute.
 Temperature Rating:
 Operating temperature: -20°C to +85°C

- Environmental:**
 Lead free, RoHS compliant.
 Recommended soldering temp: 260°C for 5 sec.



UNLESS OTHERWISE SPECIFIED
 ALL DIMENSIONS ARE INCHES [MM]
 TOLERANCES: EXCEPT AS NOTED

INCHES	HOLES
.XX ± .10	ØXX ± .10
.XX ± .020	ØXXX ± .015
.XXX ± .015	ØXXX ± .010

APPROVALS		DATE
DRAWN	AY	1/17/11
CHECKED	SC	1/17/11
APPROVED		

ADAM TECH
 909 Railway Avenue, Union, NJ 07083
 Phone: 908-687-5000 Fax: 908-687-5710

TITLE: MINI USB, TYPE B, 5 PIN, SINGLE PORT
 RIGHT ANGLE, SMT, MYLAR

SIZE	PART NO.	SCALE	SHEET	REV.
X	MUSB-B5-S-RA-SMT-EH-KT-TR	NIS	1 OF 1	-