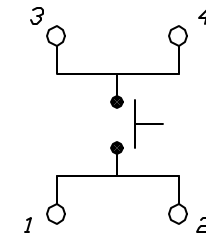
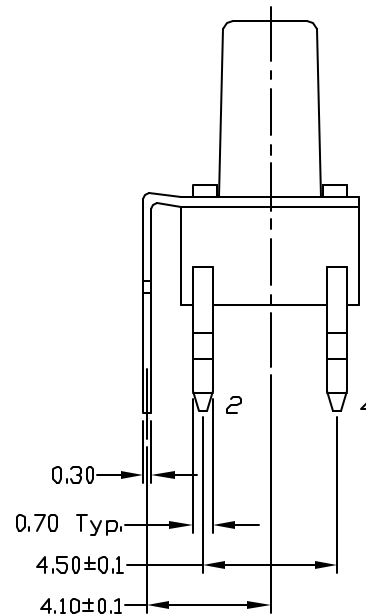
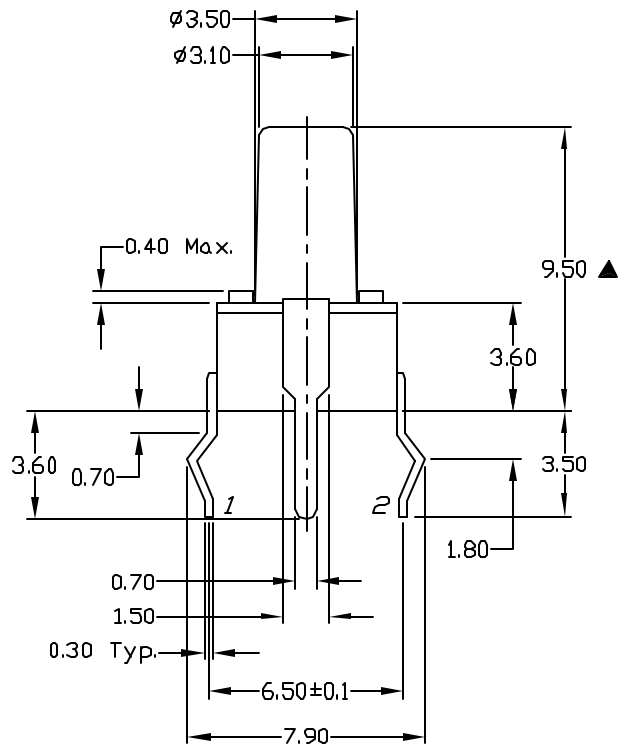


NOTES:

1. ALL DIMENSIONS IN MM
2. GENERAL TOLERANCE: 0.0=±0.4
0.00=±0.25
3. TERM. NOS. FOR REF. ONLY
4. RATING: 50mA, @12V DC
5. TRAVEL: 0.25±0.1mm
- ▲6. OPERATING FORCE: 250±50gf
7. CONTACT RESISTANCE: 100m ohms max.
8. ELECTRICAL LIFE: 100,000 CYCLES MIN.
8. INSULATION RESISTANCE: 100M ohms min.
10. DIELECTRIC STRENGTH: 250V RMS MIN.
11. OPERATING TEMP.: -30°C to -85°C
- ▲12. DESIGNATE MAJOR DIMENSIONS.

RECOMMEND P.C.B. LAYOUT



CIRCUIT: SPST

CONTACT CONFIGURATION

E-SWITCH®

TITLE

TLE 1105 B F250 Q

A	10037	RELEASED FOR PRODUCTION		
REV.	ECN No.	DESCRIPTION	DATE	CHKD

THE INFORMATION CONTAINED IN THIS DOCUMENT IS PROPRIETARY TO E-SWITCH AND IS NOT TO BE COPIED OR TRANSFERRED

SCALE

4:1

DATE

12/1/98

DR

MM

DWG

P010033

REV

A