



DESCRIPTION

The SM15KPAN Series are high-powered surface mount transient voltage suppression components designed to protect equipment and systems from the damaging effects of high voltage spikes. The surface mount package configuration provides a lower profile compared to legacy axial lead package configurations.

These devices provide 15,000 Watts of peak pulse power dissipation for an 10/1000 μ s waveform. Applications include AC and DC power line protection, terrestrial base station protection as well as module lightning protection.

FEATURES

- **RTCA DO-160G COMPLIANT PRODUCT**
- Compatible with IEC 61000-4-5 (Surge): 48A, 8/20 μ s - L3(Line-Ground), L4(Line-Line) & L1 (Power)
- 15,000 Watts Peak Pulse Power per Line (tp = 10/1000 μ s)
- Unidirectional and Bidirectional Configurations
- Easy Mounting to Printed Circuit Board
- Available in Multiple Voltages
- tClamping (0V to $V_{(BR)}$ Min) < 100ps, Theoretical for Unidirectional and 5ns for Bidirectional
- RoHS Complaint (Exemption #7)

APPLICATIONS

- Relay Drives
- Motor (Start/Stop) Back EMF Protection
- Module Lightning Protection
- Secondary Lightning Protection for AC/DC

MECHANICAL CHARACTERISTICS

- Approximate Weight: 1.2 grams
- Lead-Free Silver Plating
- Solder Reflow Temperature: 240-250°C
- Flammability Rating UL 94V-0
- Marking: Logo and Marking Code

CIRCUIT DIAGRAMS

Unidirectional**Bidirectional**

TYPICAL DEVICE CHARACTERISTICS

RTCA DO-160G COMPLIANT PRODUCT

MAXIMUM RATINGS @ 25°C Unless Otherwise Specified

PARAMETER	SYMBOL	VALUE	UNITS
Peak Pulse Power (tp = 10/1000µs) - See Figure 1	P_{PP}	15,000	Watts
Forward Surge Rating	I_F	200	Amps
Steady State Power Dissipation	P_P	1.0	Watts
Storage Temperature	T_{STG}	-55 to 150	°C
Operating Temperature	T_L	-55 to 150	°C

ELECTRICAL CHARACTERISTICS PER LINE @ 25°C Unless Otherwise Specified

PART NUMBER (Notes 1 - 2)	MARKING CODE		RATED STAND-OFF VOLTAGE V_{WM} VOLTS	BREAKDOWN VOLTAGE		MAXIMUM LEAKAGE CURRENT $@V_{WM}$ I_D µA	MAXIMUM CLAMPING VOLTAGE (Fig. 2) $@ 10/1000\mu s$ $V_C @ I_{PP}$	TEMPERATURE COEFFICIENT OF $V_{(BR)}$ $qV_{(BR)}$ mV/°C
	UNI	BI		MIN $V_{(BR)}$ VOLTS	$@I_T$ mA			
SM15KPA17AN	17A	17C	17.0	18.9	50	5000	29.3V @ 512.0A	17
SM15KPA18AN	18A	18C	18.0	20.0	50	5000	30.9V @ 485.0A	18
SM15KPA20AN	20A	20C	20.0	22.2	20	1500	34.3V @ 437.0A	21
SM15KPA22AN	22A	22C	22.0	24.4	10	500	37.1V @ 404.0A	24
SM15KPA24AN	24A	24C	24.0	26.7	5	150	40.7V @ 369.0A	27
SM15KPA26AN	26A	26C	26.0	28.9	5	50	44.0V @ 341.0A	29
SM15KPA28AN	28A	28C	28.0	31.1	5	25	47.5V @ 316.0A	31
SM15KPA30AN	30A	30C	30.0	33.3	5	15	50.7V @ 296.0A	34
SM15KPA33AN	33A	33C	33.0	36.7	5	10	54.8V @ 274.0A	38
SM15KPA36AN	36A	36C	36.0	40.0	5	10	59.7V @ 251.0A	41
SM15KPA40AN	40A	40C	40.0	44.4	5	10	65.8V @ 228.0A	46
SM15KPA43AN	43A	43C	43.0	47.8	5	10	69.7V @ 215.0A	50
SM15KPA45AN	45A	45C	45.0	50.0	5	10	73.0V @ 205.0A	52
SM15KPA48AN	48A	48C	48.0	53.3	5	10	77.7V @ 193.0A	56
SM15KPA51AN	51A	51C	51.0	56.7	5	10	82.8V @ 181.0A	60
SM15KPA54AN	54A	54C	54.0	60.0	5	10	87.5V @ 171.0A	63
SM15KPA58AN	58A	58C	58.0	64.4	5	10	94.0V @ 160.0A	68
SM15KPA60AN	60A	60C	60.0	66.7	5	10	97.3V @ 154.0A	71
SM15KPA64AN	64A	64C	64.0	71.1	5	10	104.0V @ 144.0A	76
SM15KPA70AN	70A	70C	70.0	77.8	5	10	114.0V @ 132.0A	83
SM15KPA75AN	75A	75C	75.0	83.3	5	10	122.0V @ 123.0A	89
SM15KPA78AN	78A	78C	78.0	86.7	5	10	126.0V @ 119.0A	93
SM15KPA85AN	85A	85C	85.0	94.4	5	10	137.0V @ 109.0A	102
SM15KPA90AN	90A	90C	90.0	100.0	5	10	146.0V @ 103.0A	109
SM15KPA100AN	A0A	A0C	100.0	111.0	5	10	162.0V @ 93.0A	121
SM15KPA110AN	A1A	A1C	110.0	122.0	5	10	178.0V @ 84.0A	133

TYPICAL DEVICE CHARACTERISTICS

RTCA DO-160G COMPLIANT PRODUCT

ELECTRICAL CHARACTERISTICS PER LINE @ 25°C Unless Otherwise Specified

PART NUMBER (Notes 1 - 2)	MARKING CODE		RATED STAND-OFF VOLTAGE V_{WM} VOLTS	BREAKDOWN VOLTAGE		MAXIMUM LEAKAGE CURRENT $@V_{WM}$ I_D μA	MAXIMUM CLAMPING VOLTAGE (Fig. 2) $@ 10/1000\mu s$ $V_C @ I_{PP}$	TEMPERATURE COEFFICIENT OF $V_{(BR)}$ $qV_{(BR)}$ $mV/^{\circ}C$
	UNI	BI		MIN $V_{(BR)}$ VOLTS	$@I_T$ mA			
SM15KPA120AN	A2A	A2C	120.0	133.0	5	10	193.0V @ 78.0A	145
SM15KPA130AN	A3A	A3C	130.0	144.0	5	10	209.0V @ 72.0A	157
SM15KPA150AN	A5A	A5C	150.0	167.0	5	10	243.0V @ 62.0A	183
SM15KPA160AN	A6A	A6C	160.0	178.0	5	10	259.0V @ 58.0A	195
SM15KPA170AN	A7A	A7C	170.0	189.0	5	10	275.0V @ 55.0A	207
SM15KPA180AN	A8A	A8C	180.0	200.0	5	10	291.0V @ 52.0A	219
SM15KPA200AN	B0A	B0C	200.0	222.0	5	10	322.0V @ 47.0A	243
SM15KPA220AN	B2A	B2C	220.0	245.0	5	10	356.0V @ 42.0A	269
SM15KPA240AN	B4A	B4C	240.0	267.0	5	10	388.0V @ 39.0A	293
SM15KPA260AN	B6A	B6C	260.0	289.0	5	10	419.0V @ 36.0A	317
SM15KPA280AN	B8A	B8C	280.0	311.0	5	10	452.0V @ 33.0A	342
SM15KPA480AN	D8A	D8C	480.0	528.0	5	10	791.0V @ 18.9A	460

NOTES

- Part numbers shown are unidirectional devices. Add a "C" suffix to specify bidirectional devices, such as SM15KPA20CAN.
- $V_{F(MAX)}$ = 15 Volts @ 200A, 8.3ms(1/2 Sine Wave) - *Unidirectional devices only*.

FIGURE 1
PEAK PULSE POWER VS PULSE TIME

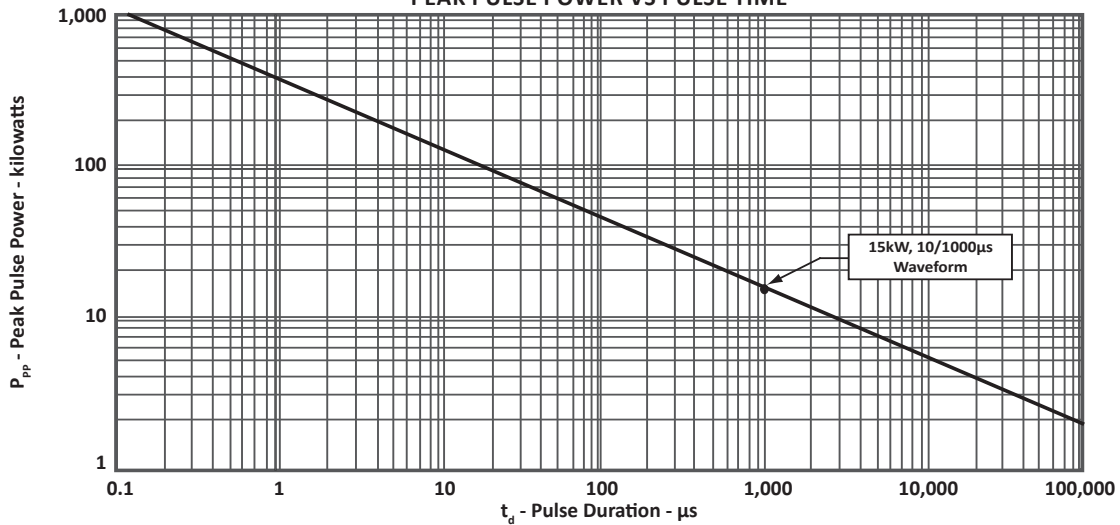


FIGURE 2
PULSE WAVEFORM

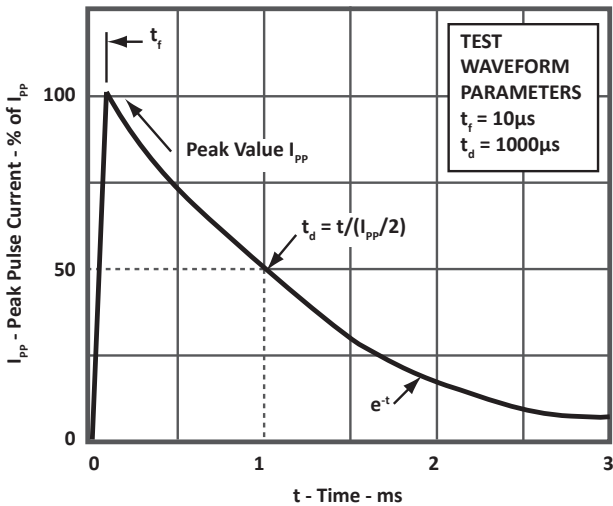
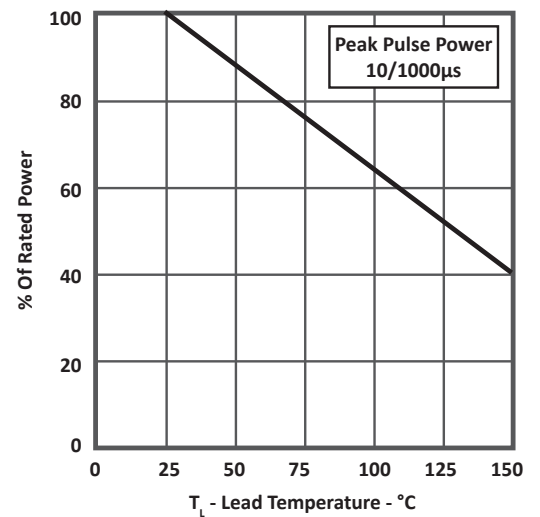


FIGURE 3
POWER DERATING CURVE

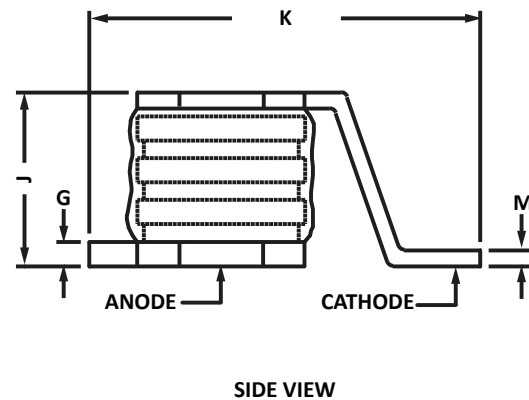
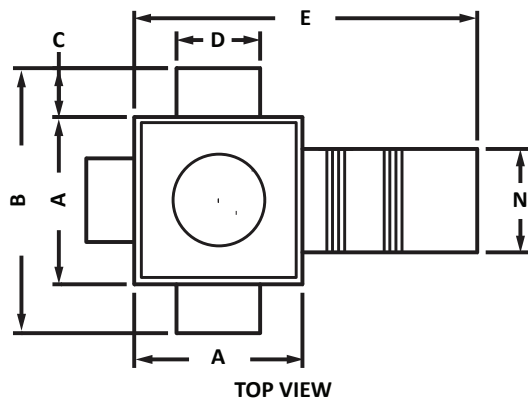


SMD-15 PACKAGE INFORMATION

RTCA DO-160G COMPLIANT PRODUCT

PACKAGE OUTLINE DIMENSIONS

DIM	MILLIMETERS		INCHES	
	MIN	MAX	MIN	MAX
A	5.15	5.50	0.197	0.217
B	8.10	8.25	0.319	0.325
C	1.40	1.55	0.055	0.061
D	2.45	2.65	0.096	0.104
E	10.25	11.05	0.405	0.435
G	0.70	0.80	0.026	0.034
J	5.08	5.59	0.200	0.220
K	11.75	12.62	0.463	0.497
M	0.42	0.58	0.017	0.023
N	3.15	3.45	0.124	0.136



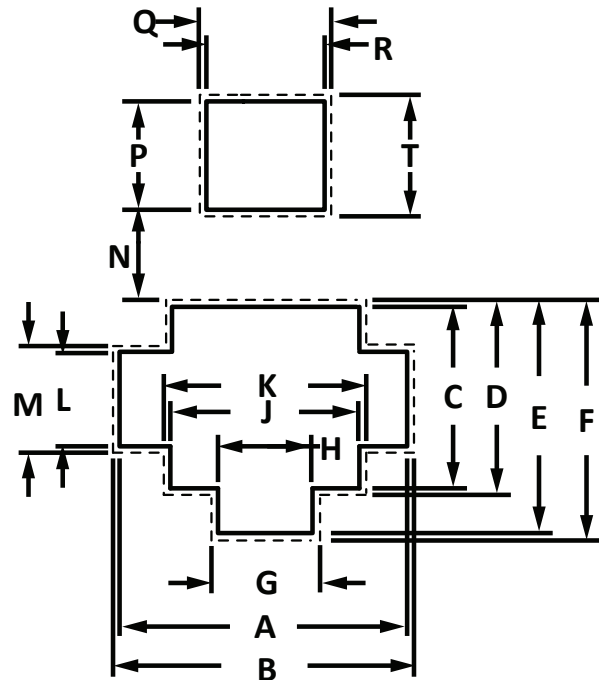
SMD-15 PACKAGE INFORMATION

RTCA DO-160G COMPLIANT PRODUCT

SOLDER PAD OUTLINE DIMENSIONS

DIM	MILLIMETERS		INCHES	
	MIN	MAX	MIN	MAX
A	8.35	8.45	0.329	0.333
B	8.55	8.65	0.337	0.341
C	5.35	5.45	0.211	0.215
D	5.55	5.65	0.219	0.222
E	6.85	6.95	0.270	0.274
F	7.05	7.15	0.278	0.281
G	2.95	3.05	0.116	0.120
H	2.75	2.85	0.108	0.112
J	5.35	5.45	0.211	0.215
K	5.55	5.65	0.219	0.222
L	2.75	2.85	0.108	0.112
M	2.95	3.05	0.116	0.120
N	2.45	2.55	0.096	0.100
P	3.63	3.73	0.143	0.147
Q	3.95	4.05	0.156	0.159
R	3.55	3.65	0.140	0.144
T	4.06	4.19	0.160	0.165

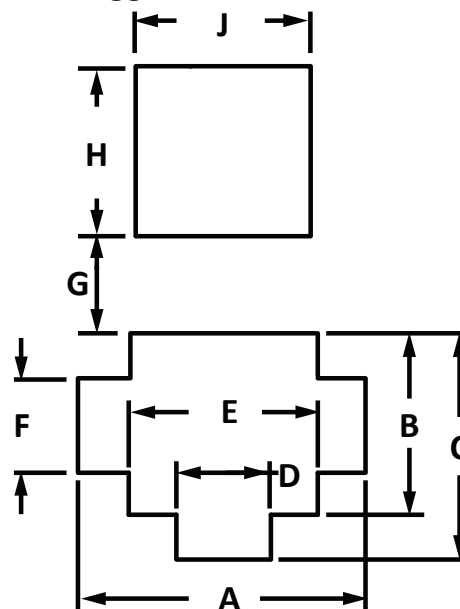
Suggested Solder Pad



SOLDER PRINT OUTLINE DIMENSIONS

DIM	MILLIMETERS		INCHES	
	MIN	MAX	MIN	MAX
A	5.75	5.85	0.226	0.23
B	4.15	4.25	0.163	0.167
C	4.95	5.05	0.195	0.199
D	1.55	1.65	0.061	0.065
E	4.15	4.25	0.163	0.167
F	1.55	1.65	0.061	0.065
G	2.65	2.75	0.104	0.108
H	4.05	4.15	0.159	0.163
J	4.05	4.15	0.159	0.163

Suggest Solder Print



COMPANY INFORMATION**RTCA DO-160G COMPLIANT PRODUCT****COMPANY PROFILE**

In business more than 20 years, ProTek Devices™ is a privately held semiconductor company. The company offers a product line of overvoltage protection and overcurrent protection components. These include transient voltage suppressor array (TVS arrays) avalanche breakdown diode, steering diode TVS array and electronics SMD chip fuses. These components deliver circuit protection in electronic systems from numerous overvoltage and overcurrent events. They include lightning; electrostatic discharge (ESD); nuclear electromagnetic pulses (NEMP); inductive switching; and electromagnetic interference (EMI) / radio frequency interference (RFI). ProTek Devices also offers high performance interface and linear products. They include analog switches; multiplexers; LED drivers; LED wafer die for ESD protection; audio control ICs; RF and related high frequency products.

CONTACT US**Corporate Headquarters**

2929 South Fair Lane
Tempe, Arizona 85282
USA

By Telephone

General: 602-431-8101
Sales: & Marketing: 602-414-5109
Customer Service: 602-414-5114
Product Technical Support: 602-414-5107

By Fax

General: 602-431-2288

By E-mail:

Asia Sales: asiasales@protekdevices.com
Europe Sales: europesales@protekdevices.com
U.S. Sales: ussales@protekdevices.com
Distributor Sales: distysales@protekdevices.com
Customer Service: service@protekdevices.com
Technical Support: support@protekdevices.com

ProTek Devices (Asia Pacific) Pte. Ltd.

8 Ubi Road 2, #06-19
Zervex
Singapore - 408538
Tel: +65-67488312
Fax: +65-67488313

Web

www.protekdevices.com

COPYRIGHT © ProTek Devices 2014 - This literature is subject to all applicable copyright laws and is not for resale in any manner.

SPECIFICATIONS: ProTek reserves the right to change the electrical and or mechanical characteristics described herein without notice.

DESIGN CHANGES: ProTek reserves the right to discontinue product lines without notice and that the final judgement concerning selection and specifications is the buyer's and that in furnishing engineering and technical assistance. ProTek assumes no responsibility with respect to the selection or specifications of such products. ProTek makes no warranty, representation or guarantee regarding the suitability of its products for any particular purpose, nor does ProTek assume any liability arising out of the application or use of any product or circuit and specifically disclaims any and all liability without limitation special, consequential or incidental damages.

LIFE SUPPORT POLICY: ProTek Devices products are not authorized for use in life support systems without written consent from the factory.