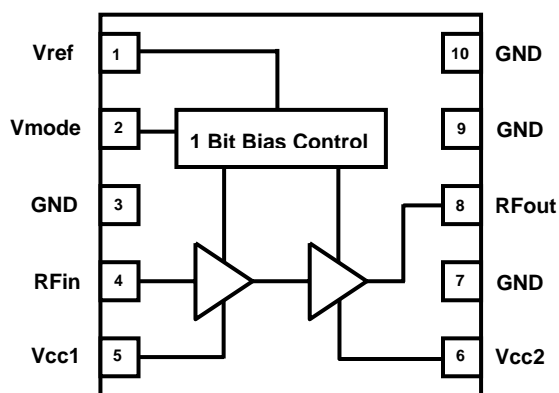


**3V HBT GaAs CDMA 4x4mm Power Amplifier Module**

**Functional Block Diagram**



**Product Description**

The TQM713019 is a 3V, 2 stage GaAs HBT Power Amplifier Module designed for use in mobile phones. Its extremely small 4x4mm package makes it ideal for today's compact data enabled phones. Its RF performance meets the requirements for products designed to IS-95/98 standards.

The TQM713019 is designed on TriQuint's advanced InGaP HBT GaAs technology offering state of the art reliability, temperature stability, and ruggedness. Selectable bias mode and a shutdown mode with low leakage current improves talk and standby time. The output match, realized within the module package, optimizes efficiency/linearity at maximum rated output power. The module is a 4x4mm land grid array with backside ground. The TQM713019 is footprint compatible with industry standard 4x4mm CDMA PA modules.

**Electrical Specifications**

Parameter	Min	Typ	Max	Units
Frequency	824		849	MHz
CDMA mode maximum Pout <sup>1</sup>		28		dBm
Gain		29		dB
CDMA ACPR		50		dBc
CDMA ALTR		65		dBc
Power Supply Current @ 28dBm		450		mA
I <sub>REF</sub>		2.0		mA
Rx Band Noise		-140		dBm/Hz

Note 1: CDMA Mode: V<sub>CC1</sub>=3.4VDC, V<sub>CC2</sub>=3.4VDC, V<sub>REF</sub>=2.85VDC, T<sub>C</sub>=25°C

Data Sheet: Subject to change without notice

For additional information and latest specifications, see our website: [www.triquint.com](http://www.triquint.com)

Rev. C 01/26/2005

**Features**

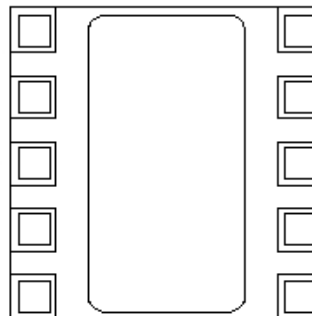
- InGaP HBT Technology
- High Efficiency: 41% CDMA
- Low Leakage Current: < 1uA
- Low I<sub>cq</sub> = 55mA
- Supports new chipsets with V<sub>ref</sub> @ 2.6V
- Capable of running as 0-bit PA in low bias mode to 28dBm
- Optimized for 50Ω system
- Small 10 pin 4x4mm module
- Excellent Rx band noise performance
- CDMA 1XRTT, 1XEV-DO compliant
- Full ESD protection

**Applications**

- IS-95 / CDMA2000
- Single mode, dual mode, and tri mode CDMA/AMPS phones

**Package Style**

4mm x 4mm LGA package



## 3V HBT GaAs CDMA 4x4mm Power Amplifier Module

### Absolute Maximum Ratings

Symbol	Parameter	Absolute Maximum Value	Units
P <sub>IN</sub>	RF Input Power	10	dBm
V <sub>CC</sub>	Supply Voltage	0.0 to 5.0	V <sub>DC</sub>
V <sub>REF</sub>	Reference Voltage	0.0 to 3.5	V <sub>DC</sub>
V <sub>MODE</sub>	Vmode (1 bit Bias Control)	0.0 to 3.5	V <sub>DC</sub>
T <sub>CASE</sub>	Case Operating Temperature	-40 to +100	°C
T <sub>STORE</sub>	Storage Temperature	-55 to +150	°C

Note: The part may not survive all maximums applied simultaneously.

### Recommended Operating Conditions

Symbol	Parameter	Min.	Typ/Nom	Max.	Units
V <sub>CC</sub>	Supply Voltage	3.2	3.4	4.2	V <sub>DC</sub>
V <sub>REF</sub>	Reference Voltage				
PA On		2.70	2.85	2.95	V <sub>DC</sub>
PA Off		0	<0.5	-	V <sub>DC</sub>
V <sub>MODE</sub>	Vmode (1 bit Bias Control)				
High Bias Mode		0	-	0.5	V <sub>DC</sub>
Low Bias Mode		2.5	2.85	3.0	V <sub>DC</sub>
T <sub>CASE</sub>	Case Operating Temperature	-30	25	+85	°C

### Power Range Truth Table

Parameter	V <sub>REF</sub>	V <sub>MODE</sub>	Range
High Power	2.85 V	Low	16 dBm – 28 dBm
Low Power	2.85 V	High	< 16 dBm
Shut Down	0.0 V	Low	-

## 3V HBT GaAs CDMA 4x4mm Power Amplifier Module

### CDMA (IS-98C) Electrical Characteristics<sup>1,2</sup>

Parameter	Conditions	Min.	Typ/Nom	Max.	Units
RF Frequency		824		849	MHz
Large Signal Gain	$V_{CC} = 3.2$ to $4.2V$ ; $V_{REF} = 2.85V$ ; $-30\text{ }^{\circ}C < \text{Temp} < 85^{\circ}C$				
Pout = +28 dBm		25	29	33	dB
Pout = +16 dBm		23	27		dB
Adjacent Channel Power (ACPR1)	$V_{CC} = 3.2$ to $4.2V$ ; $V_{REF} = 2.85V$ ; $-30\text{ }^{\circ}C < \text{Temp} < 85^{\circ}C$				
+16dBm $\leq$ Pout $\leq$ +28dBm			-50	-45	dBc
Pout $\leq$ +16dBm			-52	-45	dBc
Adjacent Channel Power (ACPR2)	$V_{CC} = 3.2$ to $4.2V$ ; $V_{REF} = 2.85V$ ; $-30\text{ }^{\circ}C < \text{Temp} < 85^{\circ}C$				
+16dBm $\leq$ Pout $\leq$ +28dBm			-60	-57	dBc
Pout $\leq$ +16dBm			-65	-57	dBc
Quiescent Current	$V_{CC} = 3.4V$ ; $V_{REF} = 2.85V$ ; $V_{MODE} = 2.85V$ ; Temp = $25\text{ }^{\circ}C$		55		mA
$I_{REF}$	Pout = +28dBm; $V_{CC} = 3.4V$ ; $V_{REF} = 2.85V$ ; $V_{MODE} = 0V$ ; Temp = $25^{\circ}C$		2	3	mA
$I_{MODE}$	All Conditions			75	$\mu A$
PAE	Pout = +28dBm; $V_{CC} = 3.4V$ ; $V_{REF} = 2.85V$ ; $V_{MODE} = 0V$ ; Temp = $25^{\circ}C$		41		%
PAE	Pout = +16dBm; $V_{CC} = 3.4V$ ; $V_{REF} = 2.85V$ ; $V_{MODE} = 2.85V$ ; Temp = $25^{\circ}C$		9.5		%
Input VSWR	All Terminals		1.5 :1	2.0 :1	
Harmonics	Pout $\leq$ +28dBm				
2fo			-50	-40	dBc
3fo			-65	-40	dBc
Spurious / Stability	Pout $\leq$ +28dBm; 10:1 VSWR; $V_{CC} = 3.2$ to $4.2V$ ; $-30\text{ }^{\circ}C < \text{Temp} < 85^{\circ}C$			-65	dBc
Ruggedness	10:1 VSWR; Pin = +10dBm; $-30\text{ }^{\circ}C < \text{Temp} < 85^{\circ}C$		No degradation		
Noise Power in Rx Band	Pout = +28dBm, IS-95 Standard		-140	-135	dBm/Hz

Note 1: Test Conditions:  $V_{CC}=3.4V_{DC}$ ,  $V_{REF}=2.85V_{DC}$ ,  $T_C = 25^{\circ}C$  unless otherwise specified

Note 2: TriQuint Test Board

Data Sheet: Subject to change without notice

For additional information and latest specifications, see our website: [www.triquint.com](http://www.triquint.com)

Rev. C 01/26/2005

## 3V HBT GaAs CDMA 4x4mm Power Amplifier Module

### cdma2000 (IS-98D) Electrical Characteristics<sup>1,2,3</sup>

Parameter	Conditions	Min.	Typ/Nom	Max.	Units
RF Frequency		824		849	MHz
Large Signal Gain	$V_{CC} = 3.2$ to $4.2V$ ; $V_{REF} = 2.85V$ ; $-30^{\circ}C < Temp < 85^{\circ}C$				
Pout = +27.5 dBm		25	28.5		dB
Pout = +16 dBm		23	27		dB
Adjacent Channel Power (ACPR1)	$V_{CC} = 3.2$ to $4.2V$ ; $V_{REF} = 2.85V$ ; $-30^{\circ}C < Temp < 85^{\circ}C$				
+16dBm $\leq$ Pout $\leq$ +27.5dBm			-50	-45	dBc
Pout $\leq$ +16dBm			-55	-45	dBc
Adjacent Channel Power (ACPR2)	$V_{CC} = 3.2$ to $4.2V$ ; $V_{REF} = 2.85V$ ; $-30^{\circ}C < Temp < 85^{\circ}C$				
+16dBm $\leq$ Pout $\leq$ +27.5dBm			-60	-57	dBc
Pout $\leq$ +16dBm			-65	-57	dBc
Quiescent Current	$V_{CC} = 3.4V$ ; $V_{REF} = 2.85V$ ; $V_{MODE} = 2.85V$ ; Temp = $25^{\circ}C$		55		mA
$I_{REF}$	Pout = +27.5dBm; $V_{CC} = 3.4V$ ; $V_{REF} = 2.85V$ ; $V_{MODE} = 0V$ ; Temp = $25^{\circ}C$		2	3	mA
$I_{MODE}$	All Conditions			75	$\mu A$
PAE	Pout = +27.5dBm; $V_{CC} = 3.4V$ ; $V_{REF} = 2.85V$ ; $V_{MODE} = 0V$ ; Temp = $25^{\circ}C$		40		%
PAE	Pout = +16dBm; $V_{CC} = 3.4V$ ; $V_{REF} = 2.85V$ ; $V_{MODE} = 2.85V$ ; Temp = $25^{\circ}C$		9.5		%
Input VSWR	All Terminals		1.5 : 1	2.0 : 1	
Noise Power in Rx Band	Pout = +28dBm, IS-95 Standard		-140	-135	dBm/Hz

Note 1: Test Conditions:  $V_{CC}=3.4V_{DC}$ ,  $V_{REF}=2.85V_{DC}$ ,  $T_C = 25^{\circ}C$  unless otherwise specified

Note 2: TriQuint Test Board

Note 3: 9600 bps Fundamental and Supplemental Traffic Channels (0 dB), peak-to-average ratio (CCDF=1%) = 4.5dB

### AMPS Mode Electrical Characteristics<sup>1,2</sup>

Parameter	Conditions	Min.	Typ/Nom	Max.	Units
RF Frequency		824		849	MHz
High Power Output, Pout			31.5		dBm
Large Signal Gain			27.5		dB
PAE	Pout = 31.5dBm; $V_{CC} = 3.4V$ ; Temp = $25^{\circ}C$	50	57		%

Note 1: Test Conditions:  $V_{CC}=3.4V_{DC}$ ,  $V_{REF}=2.85V_{DC}$ ,  $T_C = 25^{\circ}C$  unless otherwise noted

Note 2: TriQuint Test Board

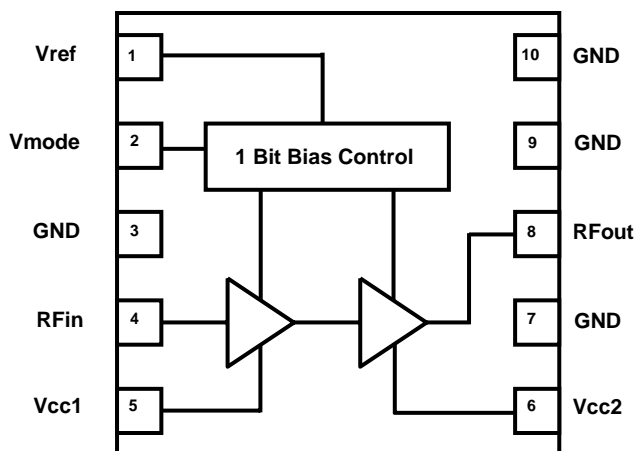
Data Sheet: Subject to change without notice

For additional information and latest specifications, see our website: [www.triquint.com](http://www.triquint.com)

Rev. C 01/26/2005

**3V HBT GaAs CDMA 4x4mm Power Amplifier Module**

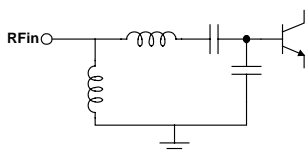
*Pin Out and Assignments*



Pin	Symbol	Description
1	V <sub>REF</sub>	Regulated voltage for bias setting. V <sub>REF</sub> is set to 0V <sub>DC</sub> to power off the TQM713019
2	V <sub>MODE</sub>	1 step bias control
3	GND	Ground
4	RF <sub>IN</sub>	RF input. The RF circuit is DC grounded internally <sup>2</sup> . 50 Ohm RF impedance.
5	V <sub>CC1</sub>	Collector voltage for input stage
6	V <sub>CC2</sub>	Collector voltage for output stage
7	GND	Ground
8	RF <sub>OUT</sub>	RF output. The RF circuit is DC blocked internally. 50 Ohm RF impedance
9	GND	Ground
10	GND	Ground
Paddle <sup>1</sup>	GND	Device ground and thermal path for heat removal

*Note 1: TriQuint recommends the use of several via holes to the backside ground under the paddle*

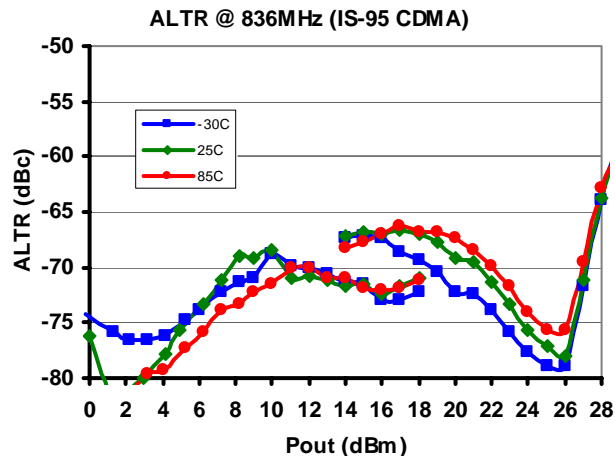
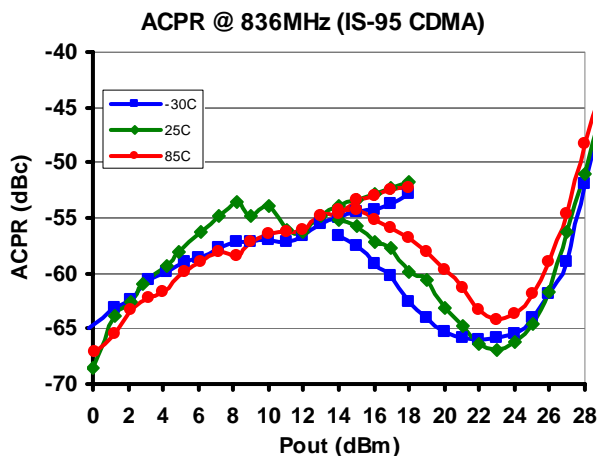
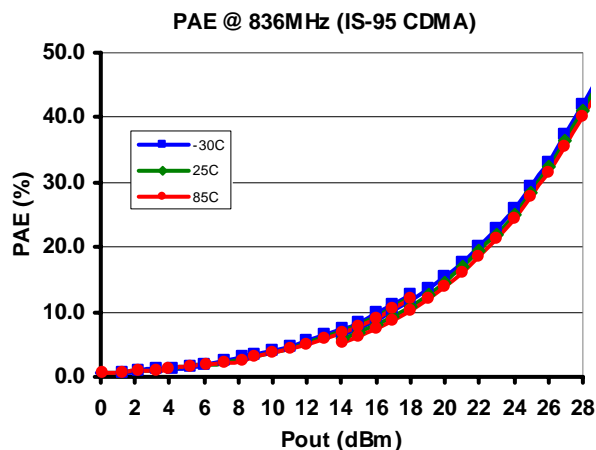
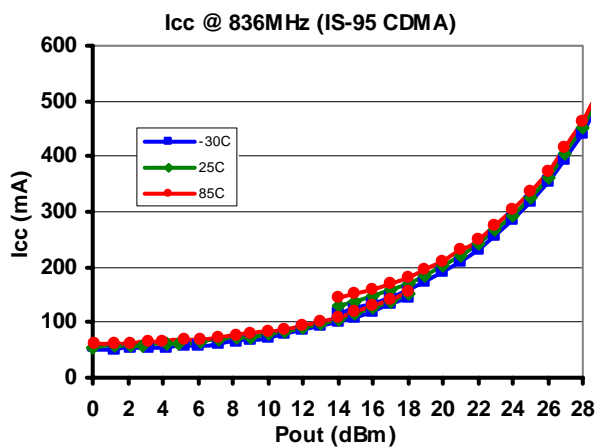
*Note 2: Internal DC ground for RF<sub>IN</sub>*



**3V HBT GaAs CDMA 4x4mm Power Amplifier Module**

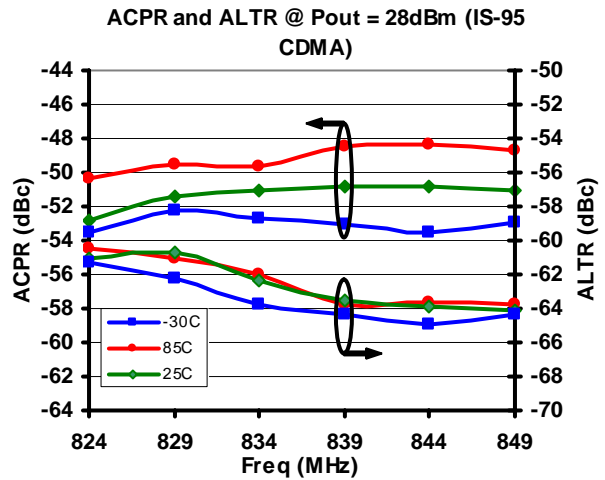
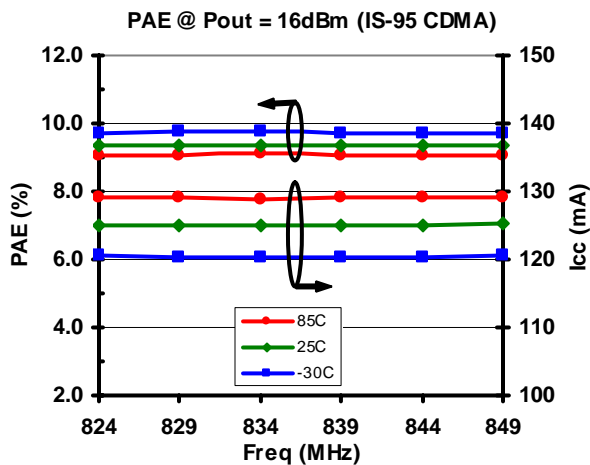
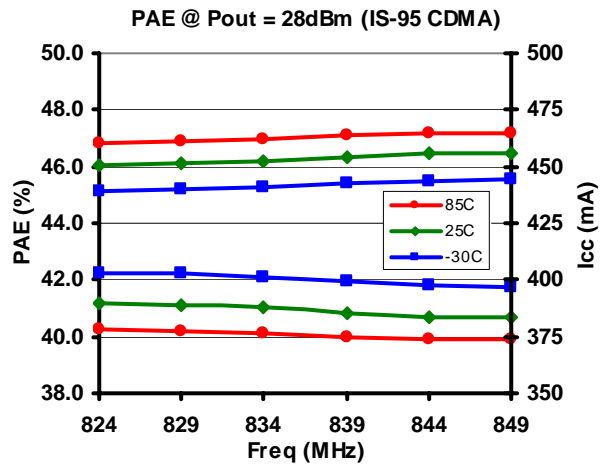
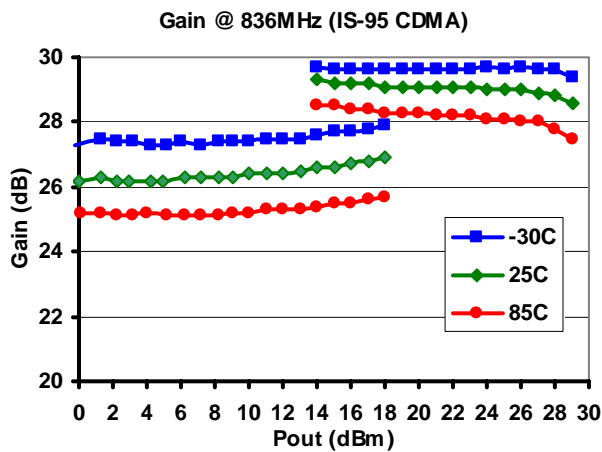
*Typical Performance*

Test Conditions (Unless Otherwise Specified):  $V_{CC}=3.4V_{DC}$ ,  $V_{REF}=2.85V_{DC}$ ,  $V_{MODE}=0$  or  $2.85V_{DC}$ ,  $P_{OUT}=28.0$  or  $16dBm$



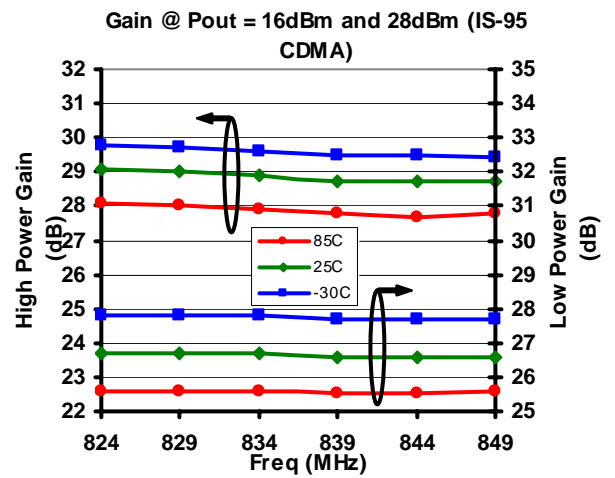
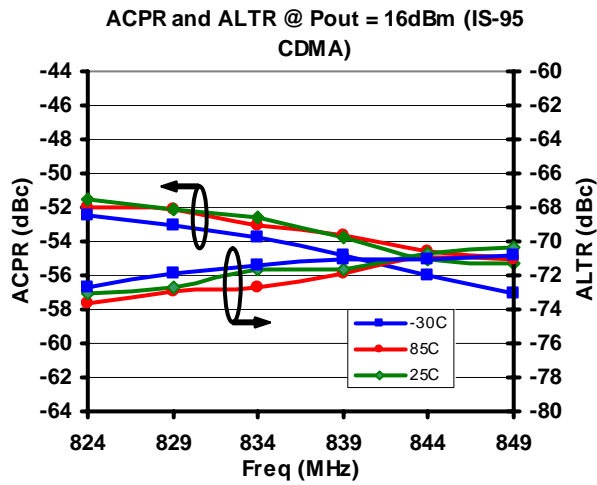
**3V HBT GaAs CDMA 4x4mm Power Amplifier Module**

*Typical Performance (Continued)*



**3V HBT GaAs CDMA 4x4mm Power Amplifier Module**

*Typical Performance (Continued)*

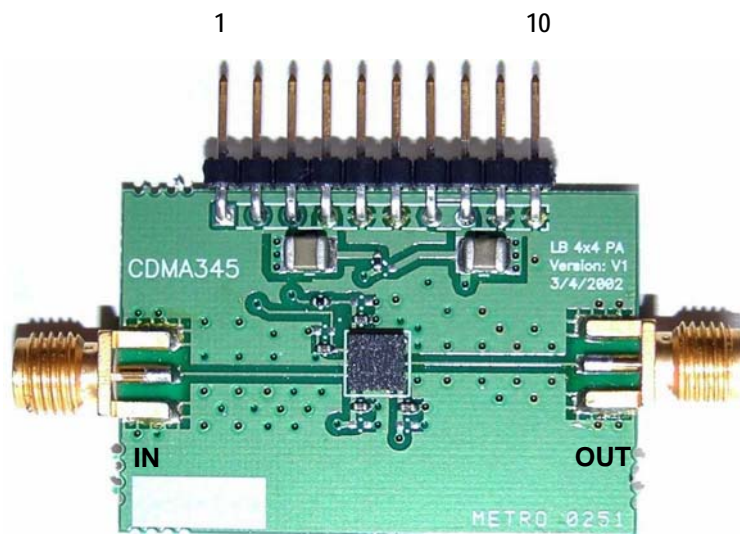




**3V HBT GaAs CDMA 4x4mm Power Amplifier Module**

*Application Information; tuning procedures; board layout precautions*

TriQuint offers our customers the below evaluation board as a means for testing and analysis of TQM713019. The evaluation board schematic and picture are provided for preliminary analysis and design. Figure 1 shows the TriQuint application board, while Figure 2 shows the schematic of the board.



Pin #	Function
1	No Connect
2	Vmode, High/low Bias Mode
3	Vref, Reference Voltage
4	Vcc1, 1 <sup>st</sup> Stage Collector Voltage
5	GND, DC Ground
6	GND, DC Ground
7	Vcc2, 2 <sup>nd</sup> Stage Collector Voltage
8	Vcc2, 2 <sup>nd</sup> Stage Collector Voltage
9	GND, DC Ground
10	GND, DC Ground

Figure 1: Evaluation Board

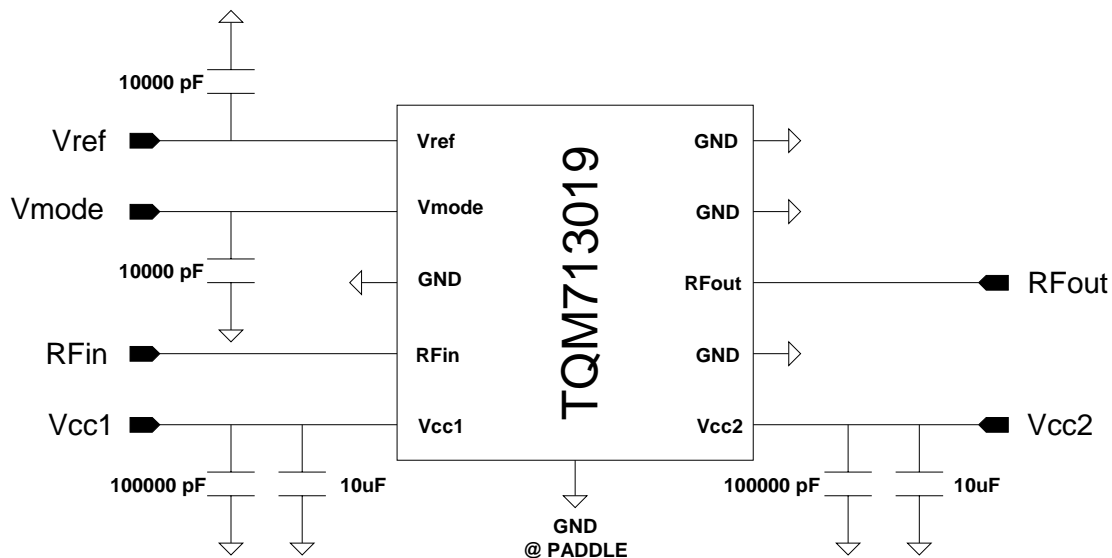
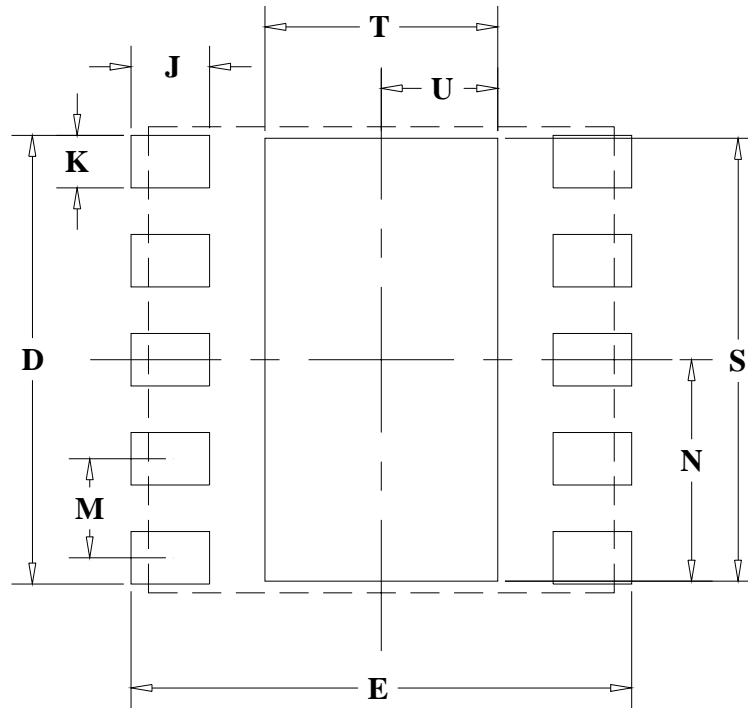


Figure 2: Evaluation Board Schematic

**3V HBT GaAs CDMA 4x4mm Power Amplifier Module**

*PC Board Layout Recommendations*



DIMENSION	MM
<b>D</b>	3.85
<b>E</b>	4.30
<b>J</b>	0.68
<b>K</b>	0.45
<b>M</b>	0.85
<b>N</b>	1.90
<b>S</b>	3.80
<b>T</b>	2.00
<b>U</b>	1.00

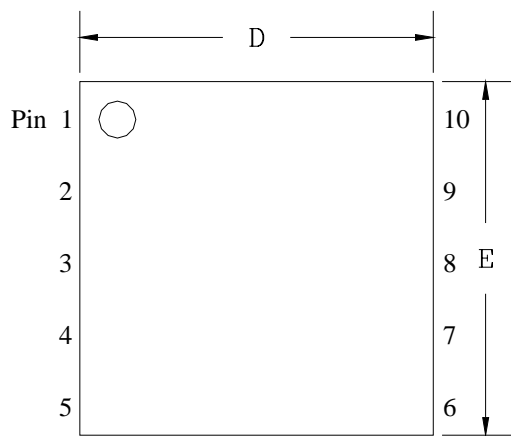
*Note1: Only ground signal traces are allowed directly under the package*

*Note 2: Primary dimensions are in millimeters alternate dimensions are in inches.*

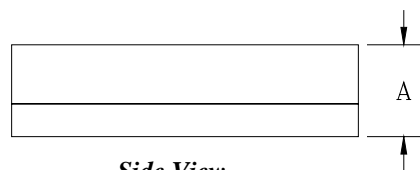
**3V HBT GaAs CDMA 4x4mm Power Amplifier Module**

*Packaging and Ordering Information*

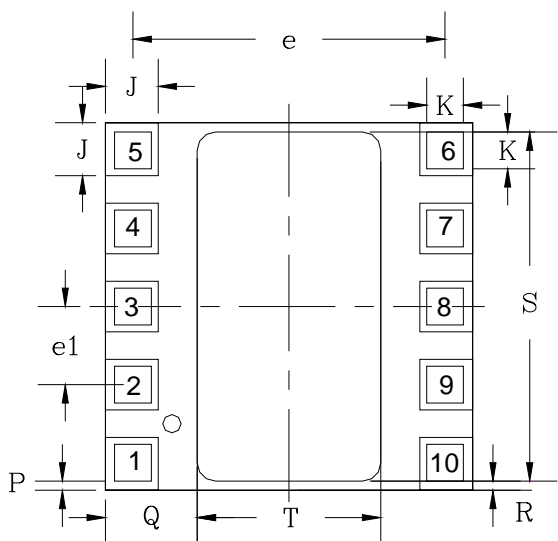
Package Type: 10 Pin Plastic Module Package



*Top View*



*Side View*



*Bottom View*

DESIGNATION	DESCRIPTION	DIMENSION
A	OVERALL HEIGHT	1.5 +/-0.12 mm
D	PACKAGE LENGTH	4.0 +/-0.1 mm
E	PACKAGE WIDTH	4.0 +/-0.1 mm
J	SOLDER MASK OPENING LENGTH AND WIDTH	0.575 +/-0.075 mm
K	METAL PAD LENGTH AND WIDTH	0.40 +/-0.05 mm
P	DISTANCE BETWEEN METAL PAD AND PACKAGE EDGE	0.10 +/-0.025 mm
T	GND SOLDER MASK OPENING WIDTH	2.00 +/-0.05 mm
S	GND SOLDER MASK OPENING LENGTH	3.80 +/-0.05 mm
R	DISTANCE BETWEEN GND SOLDER MASK OPENING AND PACKAGE EDGE	0.10 +/-0.1 mm
Q	DISTANCE BETWEEN GND SOLDER MASK OPENING AND PACKAGE EDGE	1.00 +/-0.1 mm
e	TERMINAL PITCH FOR TERMINAL 1-10, 2-9, 3-8, 4-7 AND 5-6	3.400 mm
e1	TERMINAL PITCH FOR TERMINAL 1-2-3-4-5 AND 6-7-8-9-10	0.850 mm

Note: GND SOLDER MASK OPENING IS NOT CENTERED ON THE PACKAGE

**3V HBT GaAs CDMA 4x4mm Power Amplifier Module**

*Package Marking*



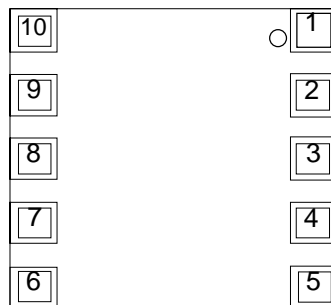
**Top View**

*WHITE INK OR LASER MARK*

*Line 1: Part Number: 713019*

*Line 2: YYWW = Year and Work Week*

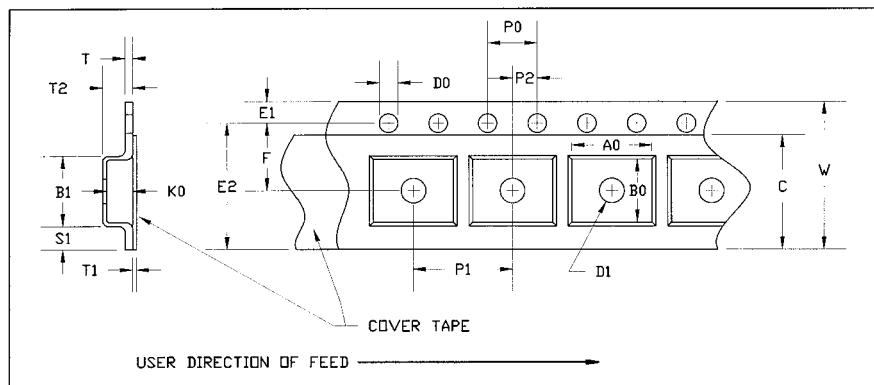
*Line 3: XXXX = TriQuint assembly lot number*



**Bottom View**

**3V HBT GaAs CDMA 4x4mm Power Amplifier Module**

Tape & Reel



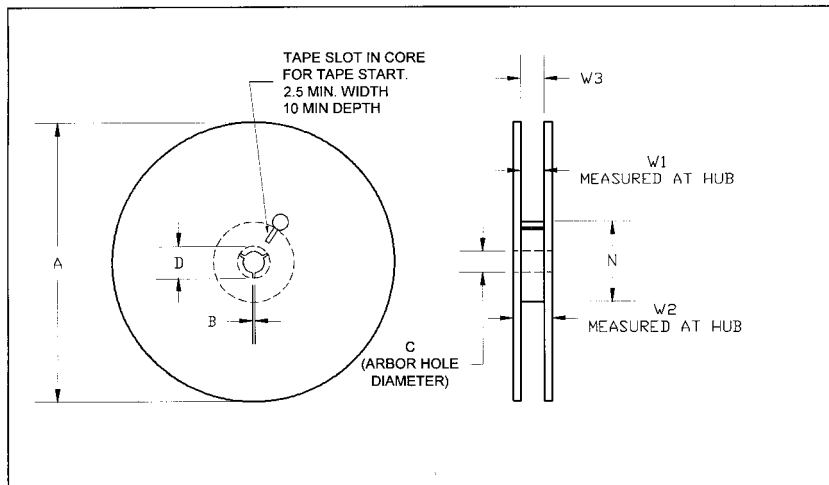
PART	FEATURE	SYMBOL	SIZE (in)	SIZE (mm)
CAVITY	LENGTH	A0	0.171	4.35
	WIDTH	B0	0.171	4.35
	DEPTH	K0	0.071	1.80
	PITCH	P1	0.315	8.00
DISTANCE BETWEEN CENTERLINE	CAVITY TO PERFORATION LENGTH DIRECTION	P2	0.079	2.00
	CAVITY TO PERFORATION WIDTH DIRECTION	F	0.217	5.50
COVER TAPE	WIDTH	C	0.362	9.20
CARRIER TAPE	WIDTH	W	0.472	12.00

Data Sheet: Subject to change without notice

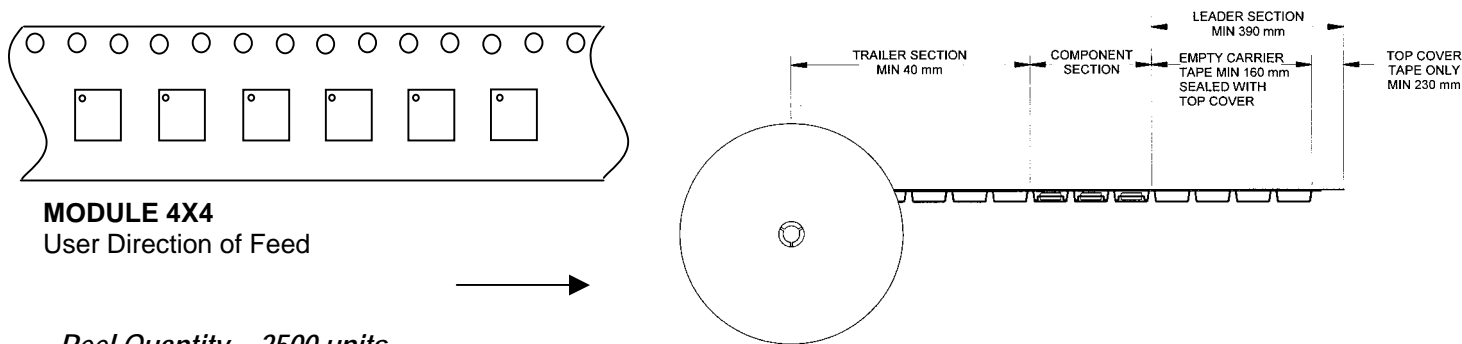
For additional information and latest specifications, see our website: [www.triquint.com](http://www.triquint.com)

Rev. C 01/26/2005

**3V HBT GaAs CDMA 4x4mm Power Amplifier Module**



SOIC-8, QSOP 16, MSOP 08 & 10, TSSOP 16, HP VFQFP-N 4X4 & 5X5, VQFN-24, VQFN-20. Modules 4X4			13" REEL	
PART	FEATURE	SYMBOL	SIZE (in)	SIZE (mm)
FLANGE	DIAMETER	A	12.992	330
	THICKNESS	W2	0.717	18.2
	SPACE BETWEEN FLANGE	W1	0.504	12.8
HUB	OUTER DIAMETER	N	4.016	102.0
	ARBOR HOLE DIAMETER	C	0.512	13.0
	KEY SLIT WIDTH	B	0.079	2.0
	KEY SLIT DIAMETER	D	0.787	20.0



*Reel Quantity = 2500 units*

**3V HBT GaAs CDMA 4x4mm Power Amplifier Module**

**Additional Information**<sup>1</sup>T

---

<sup>1</sup> For latest specifications, additional product information, worldwide sales and distribution locations, and information about TriQuint:

Web: [www.triquint.com](http://www.triquint.com)

Tel: (503) 615-9000

Email: [info\\_wireless@tqs.com](mailto:info_wireless@tqs.com)

Fax: (503) 615-8902

For technical questions and additional information on specific applications:

Email: [info\\_wireless@tqs.com](mailto:info_wireless@tqs.com)

The information provided herein is believed to be reliable; TriQuint assumes no liability for inaccuracies or omissions. TriQuint assumes no responsibility for the use of this information, and all such information shall be entirely at the user's own risk. Prices and specifications are subject to change without notice. No patent rights or licenses to any of the circuits described herein are implied or granted to any third party.

TriQuint does not authorize or warrant any TriQuint product for use in life-support devices and/or systems.

Copyright © 2004 TriQuint Semiconductor, Inc. All rights reserved.

*Data Sheet: Subject to change without notice*

For additional information and latest specifications, see our website: [www.triquint.com](http://www.triquint.com)

Rev. C 01/26/2005