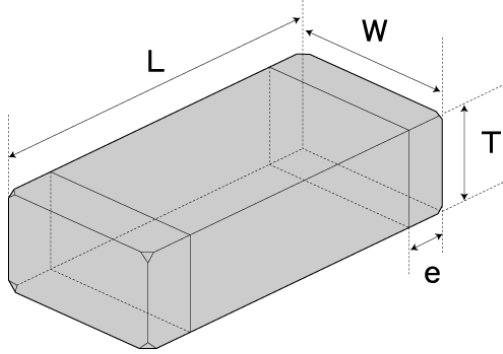


UMK063CG0R6CTHF



■ Features

- Item Summary
50V, COG, 0.6pF, -0.25pF to 0.25pF, 0201
- Lifecycle Stage
Mass Production
- AEC-Q200 qualified
- Standard packaging quantity (minimum)
Taping paper 15000pcs

■ Products characteristics table

CaseSize (EIA/JIS)	0201/0603
Rated Voltage (max)	50V
Capacitance	0.6pF
Capacitance Tolerance	-0.25pF to 0.25pF
Resistance	10,000 MΩ min.
Q (min)	412
Temperature Characteristics (EIA/JIS)	COG/CG
Temperature Range (EIA/JIS)	-55 to +125°C/-55 to +125°C
RoHS Compliance	Yes
Halogen Free	Yes
Soldering Method	Reflow

■ External Dimensions

L	0.6mm ±0.03
W	0.3mm ±0.03
T	0.3mm ±0.03
e	0.15mm ±0.05

2015.01.28

The data is reference only. Electrical characteristics vary depending on environment or measurement condition.
 TAIYO YUDEN reserves the right to make change to the Date at any time without notice.
 Before making final selection, please check product specification.