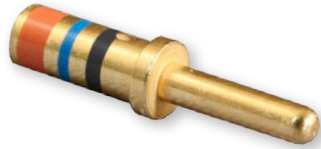




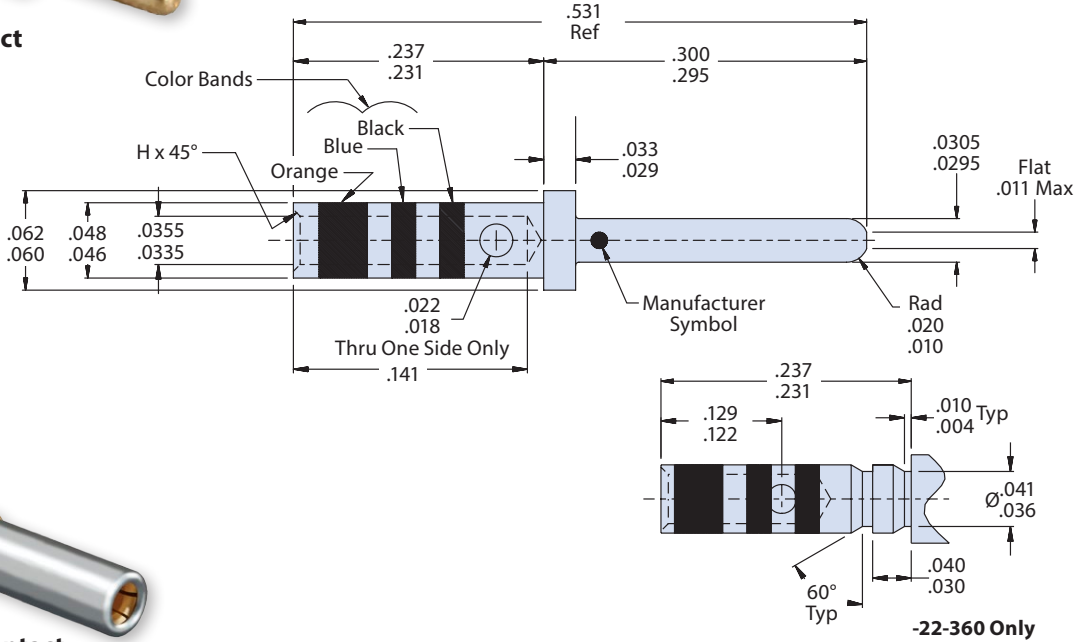
**M39029/58-360 and M39029/56-348**  
**850-002-22-360 and 850-001-22-348**  
**Standard Duty Electrical Pin and Socket Contacts**

**SIZE #22 PIN AND SOCKET CONTACTS FOR USE WITH USB SUPERSEAL™ 233-344 CONNECTORS**

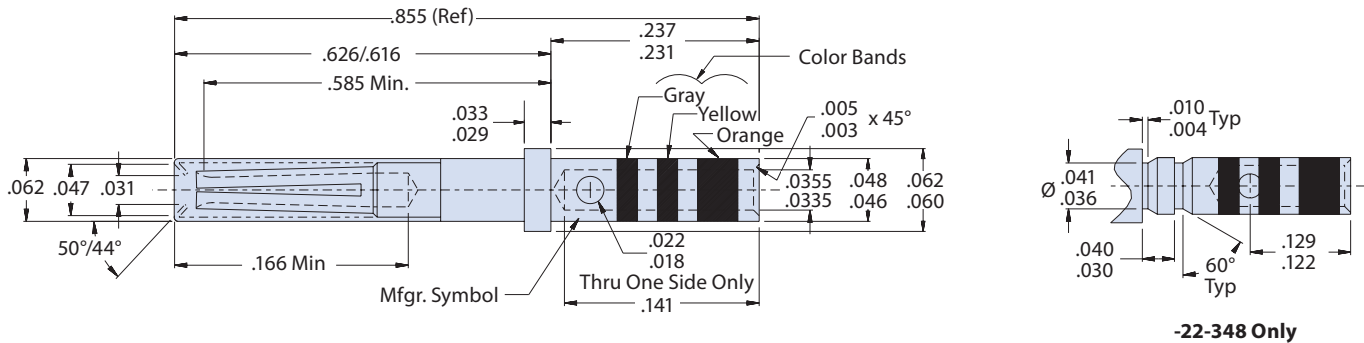


	Mating End Size	Wire Accomodation	Military Part Number	Glenair Part Number
Pin	22	22-28 AWG	<b>M39029/58-360</b>	<b>850-002-22-360</b>
Socket	22	22-28 AWG	<b>M39029/56-348</b>	<b>850-001-22-348</b>

**Pin Contact**



**Socket Contact**



Termination Tools							
Size 22	Part Number	Military Number	AWG Handling	Crimp Tool	Positioner	Insertion Tool	Extraction Tool
Pin	850-002-22-360	M39029/58-360	22, 24, 26, 28	M22520/2-01 M22520/7-01	M22520/2-09 M22520/7-07	M81969/14-01 M81969/8-01	M81969/14-01 M81969/8-02
Socket	850-001-22-348	M39029/56-348	22, 24, 26, 28	M22520/2-01 M22520/7-01	M22520/2-07 M22520/7-05	M81969/14-01 M81969/8-01	M81969/14-01 M81969/8-02