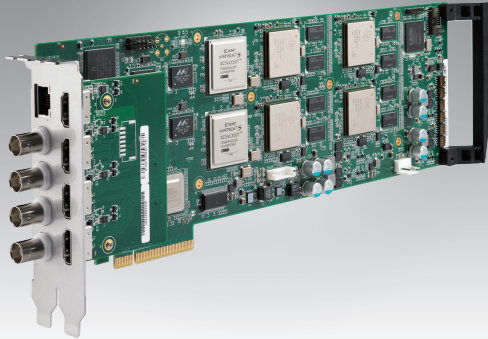


DSP-8662H

4ch HDMI Video Decoder Card with SDK

NEW



Features

- Powered by quad TI TMS320DM8168 SoC
- HW-based H.264 / MJPEG / RAW decoding
- 4-channel HDMI video + audio outputs up to Full HD (1080p) at 60fps
- 4-channel 3G-SDI video + audio inputs up to Full HD (1080p) at 60fps
- PCIe Gen2 x8 data bus; One GbE LAN port
- Supports multi-port Ethernet and PCIe switch
- Web-based GUI and SDK with sample codes



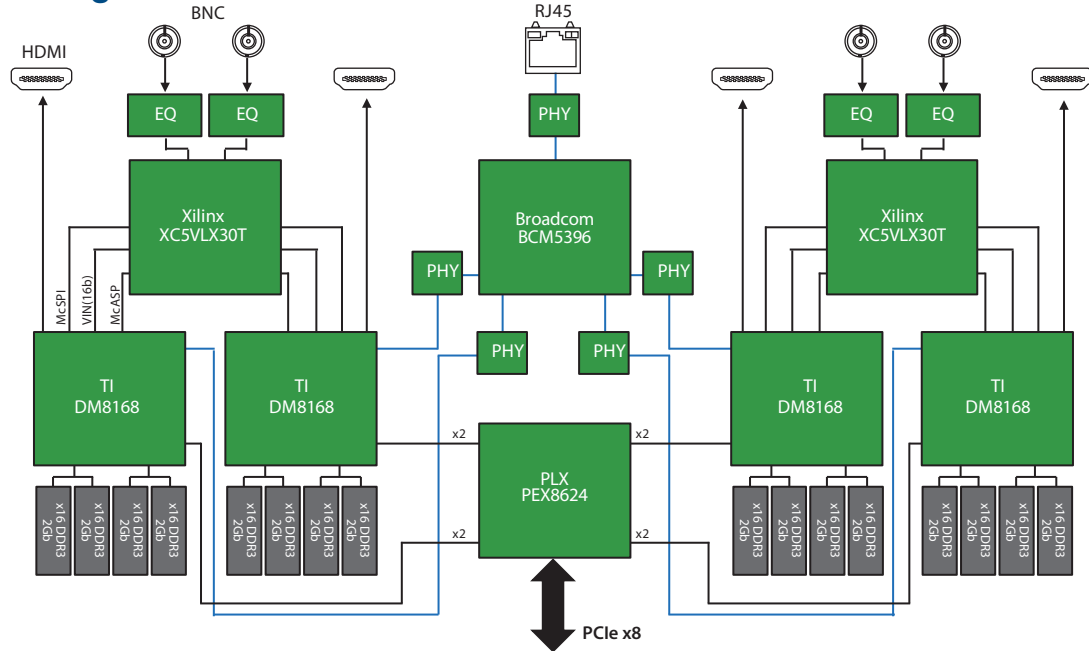
Introduction

DSP-8662H is an advanced PCIe video decoder and display solution which supports 4 channels HDMI video and audio outputs. DSP-8662H is capable of performing multi-channel video decoding with up to Full HD 1080p resolution at 60fps in each channel (total 240fps simultaneously). Another 4 channels Serial Digital Interface (SDI) provides Full HD 1080p video acquisition functions. 8662H works as PCIe video decoder and display card working on x86 PC platform (Drivers are available for both Windows and Linux OS). With an easy-to-use software development kit (SDK), DSP-8662H is an ideal solution for system integrators to implement versatile video related applications, to fulfill various customer requirements

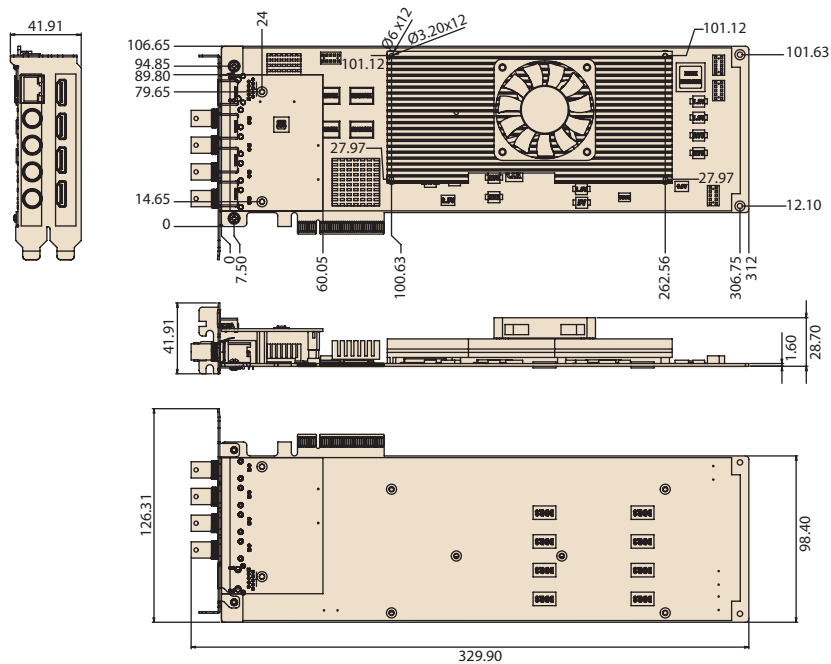
Specifications

Video Output	Channel	4
	Output Format	HDTV
	Resolution	Up to 1920 x 1080p (Full HD 1080p)
	Decoding Format	H.264 / MJPEG / RAW
	Max. Frame Rate	60 fps at Full HD 1080p per channel
	Connector	HDMI
Audio Output	Channel	4
	Decoding Format	AAC / G.711
	Connectors	HDMI (shared with video output)
Video Input	Channels	4
	Input Format	SD-SDI / HD-SDI / 3G-SDI
	SDI Standards	SMPTE 259M / 292M / 344M / 424M (depends on the performance of the inputs device)
	Resolution	Up to 1920 x 1080p (Full HD 1080p)
	Compression	RAW
	Max. Frame Rate	240 fps at Full HD 1080p (up to 60 fps per channel)
	Connectors	BNC
Audio Input	Channels	4
	Format	RAW
	Sampling Rate	Up to 16-bit, 44KHz, stereo
	Connectors	BNC (shared with video inputs)
Peripherals & Accessories	LAN Port	10/100/1000 Mbps LAN port x1; RJ-45 connector
	Data Bus	PCIe Gen-2 x8
Physical Characteristics	Power Consumption	< 60W
	Operating Temperature	0 - 60° C (32 - 140° F)
	Dimensions	270 x 111.15 mm (10.63" x 4.38"), double width
Software	Supported OS	Windows XP / XPe / Vista / 7 Linux
	SDK	User's Manual Programming Guide Sample Codes
	Demo Program	48ch D1 H.264 video decoding and display thru 4ch 1080p HDMI-out at PCIe device mode
Applications	PCIe Device Mode	PCIe video decoder and display card PC-based multi-viewer PC-based video wall

Block Diagram



Dimensions



Ordering Information

Part Number	Description
DSPC-8662H-PCXE	4ch HDMI Video Decoder Card with SDK
DSPC-8661ACY01-AE	JTAG debug board with cable