



BNC Male Connector Crimp/Solder Attachment
For PE-B150, RG180, RG195

TECHNICAL DATA SHEET

PE4247

BNC Male Connector Crimp/Solder Attachment For PE-B150, RG180, RG195

Configuration

| | |
|--|-----------------------|
| Connector | BNC Male |
| Connector Interface Type | PE-B150, RG180, RG195 |
| Cable Attachment Method (Shield/Contact) | Crimp/Solder |
| Body Style | Straight |

Electrical Specifications

| | |
|---------------------------------------|---------|
| Frequency Range, GHz | DC to 4 |
| Impedance, Ohms | 50 |
| Maximum Operating Voltage, Volts | 500 |
| Dielectric Withstanding Voltage, Vrms | 1,500 |

Mechanical Specifications

Temperature

| | |
|------------------------|-------------|
| Operating Range, deg C | -65 to +165 |
|------------------------|-------------|

Size

| | |
|---------------------|--------------|
| Length, in [mm] | 1.134 [28.8] |
| Width/Dia., in [mm] | 0.57 [14] |
| Weight, lbs [g] | 0.013 [5.9] |

Connector

| | |
|------------------------------------|------------------|
| Type | BNC Male |
| Contact Material and Plating | Brass, Gold |
| Contact Plating Specification | 30µ in. minimum |
| Coupling Nut Material and Plating | Brass, Nickel |
| Coupling Nut Plating Specification | 100µ in. minimum |
| Body Material and Plating | Brass, Nickel |
| Body Plating Specification | 100µ in. minimum |
| Dielectric Type | Teflon |

Compliance Certifications (visit www.Pasternack.com for current document)

| | |
|----------------|-----|
| RoHS Compliant | Yes |
|----------------|-----|

Plotted and Other Data

| | |
|--------|----------------------------|
| Notes: | Values at 25 °C, sea level |
|--------|----------------------------|

URL: <http://www.pasternack.com/bnc-male-standard-pe-b150-rg180-rg195-connector-pe4247-p.aspx>

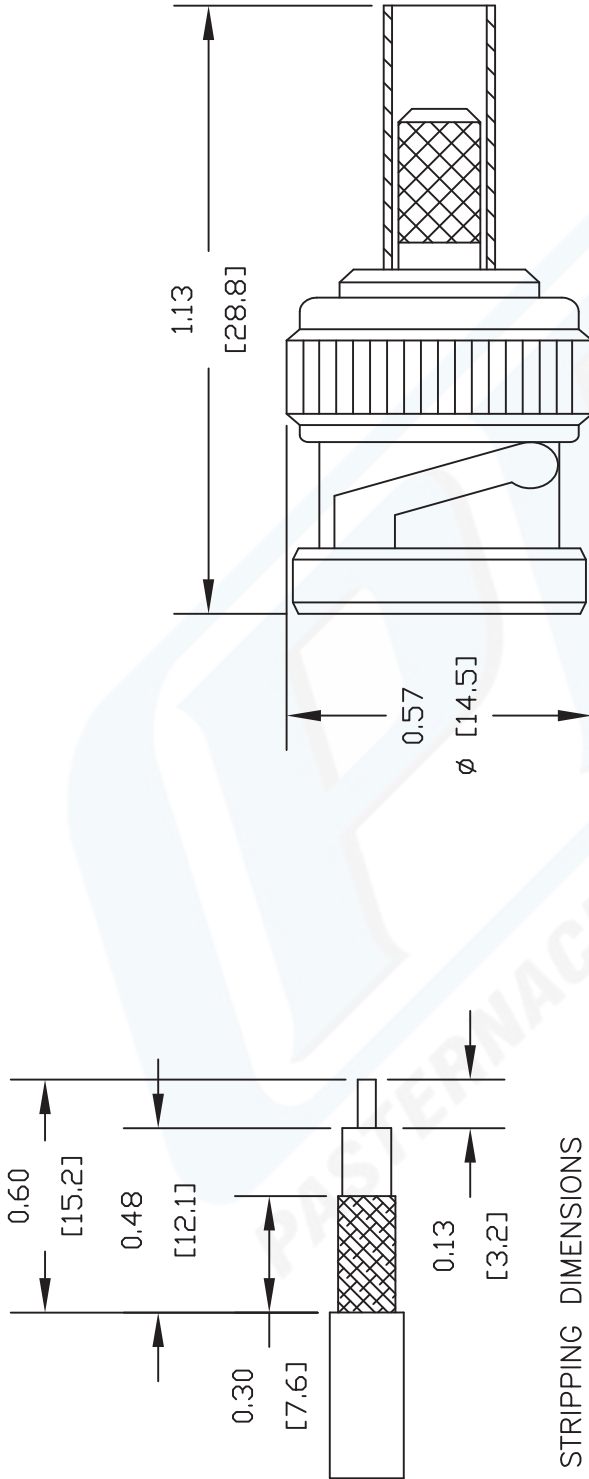
BNC Male Connector Crimp/Solder Attachment For PE-B150, RG180, RG195 from Pasternack Enterprises has same day shipment for domestic and International orders. We maintain 99% availability of the industry's broadest selection of RF, microwave and fiber optic products.

The information contained in this document is accurate to the best of our knowledge and representative of the part described herein. It may be necessary to make modifications to the part and/or the documentation of the part, in order to implement improvements. Pasternack reserves the right to make such changes as required. Unless otherwise stated, all specifications are nominal.



PE4247 CAD Drawing

BNC Male Connector Crimp/Solder Attachment For PE-B150, RG180, RG195



STRIPPING DIMENSIONS

CRIMP SIZE REQUIRED

CONTACT: .068" HEX CRIMP TOOL
FERRULE: .178" HEX CRIMP TOOL



Pasternack Enterprises, Inc.
P.O. Box 16759 | Irvine | CA | 92623
Phone: (949) 261-1920 | Fax: (949) 261-7451
Website: www.pasternack.com | E-Mail: sales@pasternack.com

DWG TITLE

PE4247

NOTES:
1. UNLESS OTHERWISE SPECIFIED ALL DIMENSIONS ARE NOMINAL.
2. ALL SPECIFICATIONS ARE SUBJECT TO CHANGE WITHOUT NOTICE AT ANY TIME.
3. DIMENSIONS ARE IN INCHES [mm].
4. FITS MIL-C-17 AND EQUIVALENT CABLES.

REV. -

FSCM NO. 53919

CAD FILE 050609

SCALE N/A

SIZE A

127