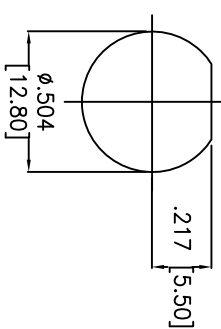
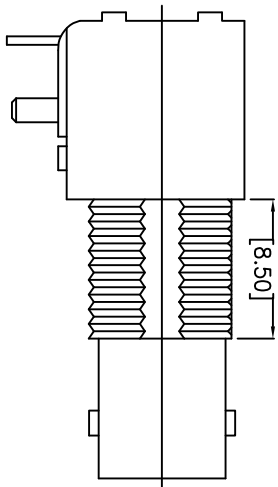
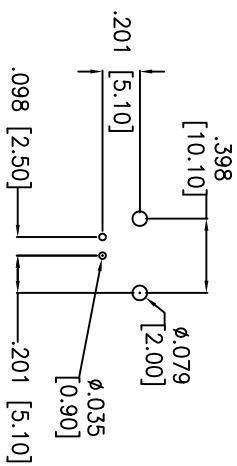
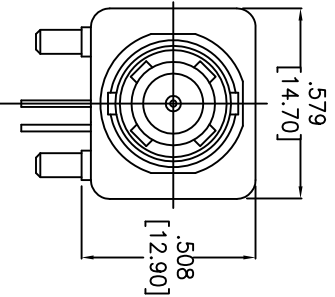
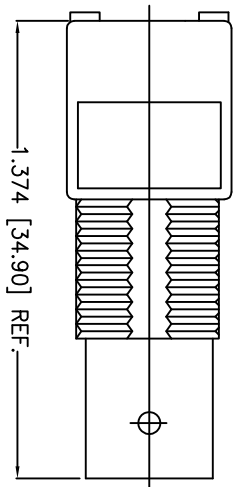
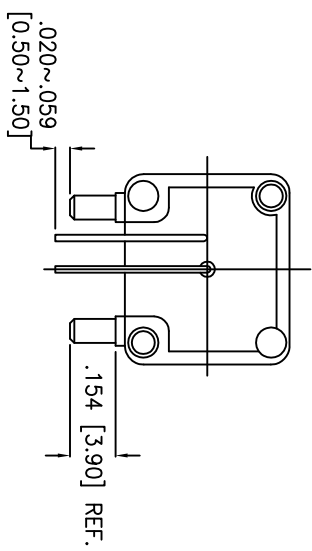


Rev	AWO #	Description	Date	Appr
-		RELEASED	12/27/07	
A		REDRAWN	11/04/10	
B		REMOVE NUT & WASHER	12/01/10	

APPROVED: _____
 DATE: _____ TITLE: _____



RECOMMENDED PANEL CUTOUTS

DESCRIPTION	MATERIAL	FINISH
PIN	COPPER	TIN
PIN	COPPER	TIN
INSULATOR	POM	NONE
BODY	ZINC ALLOY	NICKEL
CENTER CONTACT	PHOSPHOR BRONZE	GOLD

SPECIFICATIONS:

Electrical:
 Impedance: 75 ohms
 Frequency range: 0-4 GHz
 Working Voltage: 500 VRMS max.
 Dielectric Withstanding Voltage: 1500 VRMS min.
 Contact Resistance: 3 Milliohms max. (Center Contact)
 2 Milliohms max. (Outer Contact)
 Insulator Resistance: 5000 Megohms min.
 Environmental:
 Lead free, RoHS compliant.

UNLESS OTHERWISE SPECIFIED
 ALL DIMENSIONS ARE INCHES [MM]
 TOLERANCES: EXCEPT AS NOTED

INCHES	Holes
.X ± .10	Ø.X ± .10
.XX ± .020	Ø.XXX ± .015
.XXX ± .015	Ø.XXX ± .010

APPROVALS	DATE
DRAWN	SLS
CHECKED	
APPROVED	

ADAM TECH

909 Railway Avenue, Union, NJ 07083
 Phone: 908-687-5000 Fax: 908-687-5710

TITLE: 75 OHMS BNC R/A PCB/PANEL
 MOUNT JACK, METAL BODY

SIZE	PART NO.	REV.
X	RF1-01-P-00-75-M	B

REF: S00054T SCALE: NTS SHEET 1 OF 1