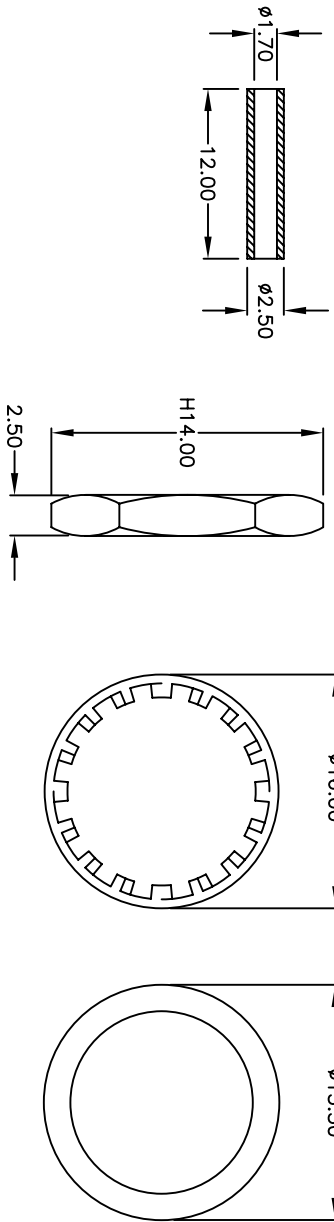
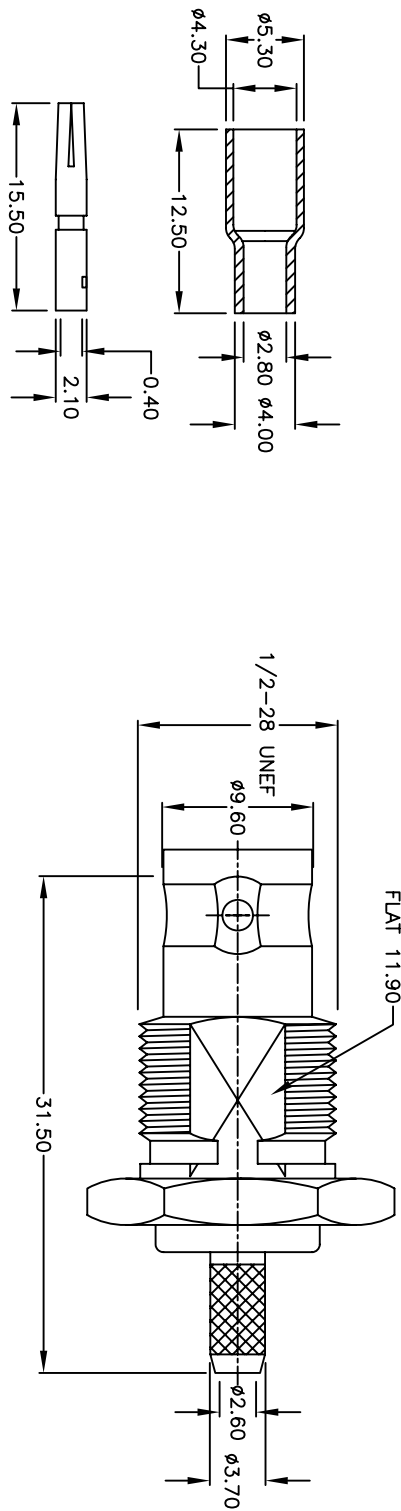


Rev	AWO #	Description	Date	Appr
-		RELEASED	8/10/06	

APPROVED: _____
 DATE: _____ TITLE: _____



NO	Description	Qty	Material	Finish
9	RING	1	BRASS	Nickel
8	PIN	1	BRASS	GOLD
7	WASHER	1	BRASS	NICKEL
6	INSULATOR	1	TEFLON	NONE
5	GASKET	1	SI-RUBBER	RED
4	WASHER	1	BRASS	NICKEL
3	NUT	1	BRASS	NICKEL
2	BODY	1	BRASS	Nickel
1	BODY	1	BRASS	Nickel

ADAM TECH

909 Rahway Avenue, Union, NJ 07083
 Phone: 908-687-5000 Fax: 908-687-5710

BNC FEMALE CRIMP FOR RG174 / 316

CONNECTOR SPECIFICATIONS:
ELECTRICAL:
 Operating Voltage: 500 VAC max.
 Impedance: 50 ohms; Frequency Range: 0-4 GHz
 Contact Resistance: Inner: 6 - Outer: 3 mohms
 Insulation Resistance: 5000 Mohms (min.) @ 1500 VDC
 Dielectric Withstanding Voltage: 1500 VAC (min.) rms
TEMPERATURE RATING:
 Operating Temperature: -55°C to +85°C
 Environmental:
 Lead free, RoHS compliant.



UNLESS OTHERWISE SPECIFIED ALL DIMENSIONS ARE MM [INCHES] TOLERANCES: EXCEPT AS NOTED	
INCHES	HOLDS
.X ± .10	ØXX ± .10
.XX ± .020	ØXXX ± .015
.XXX ± .015	ØXXXX ± .010
APPROVALS	DATE
DRAWN	SLS
CHECKED	
APPROVED	

SIZE	PART NO.	REV.
X	RF1-04-T-02-50	
REF:	SCALE: NTS	SHEET 1 OF 1