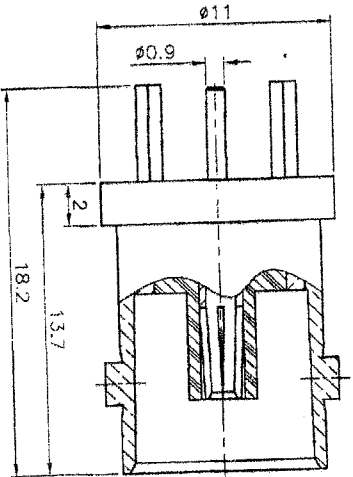
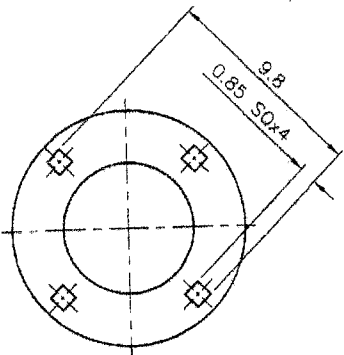
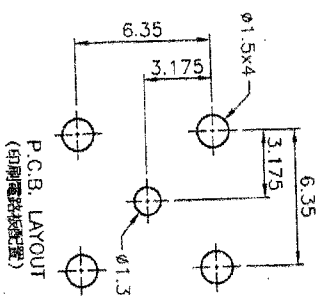


APPROVED: _____

DATE: _____ TITLE: _____

Rev	AWO #	Description	Date	Appr
-		RELEASED	8/18/05	



ELECTRICAL SPECIFICATIONS:

Voltage rating: AC 500V
 With standing voltage: AC 1,500V one minute
 Insulation resistance: 1,000M Ω /min at DC 500V
 Contact resistance: 3m Ω max at DC 1A
 Frequency range: 0-4GHz
 VSWR: 1.2 max 0-2GHz
 Impedance: 75 Ohm
 INTERFACE PER MIL-C-39012C

LOCK RING	BRASS	NICKEL
CONTACT PIN	BRASS	GOLD
BODY	BRASS	NICKEL
INSULATOR	TEFLON	WHITE
DESCRIPTION	MATERIAL	FINISH

SPECIFICATIONS:

Environmental:
 Lead free, RoHS compliant.
 Recommended soldering temp: 230° for 5 sec.



UNLESS OTHERWISE SPECIFIED ALL DIMENSIONS ARE MM [INCHES] TOLERANCES: EXCEPT AS NOTED		TITLE	
INCHES	HOLES	BNC CONNECTOR PCB MOUNT 75 OHM	
.X ± .10	Ø.X ± .10	909 Rahway Avenue, Union, NJ 07083	
.XX ± .020	Ø.XX ± .015	Phone: 908-687-5000 Fax: 908-687-5710	
.XXX ± .015	Ø.XXX ± .010		
APPROVALS	DATE		
DRAWN SS	8/18/05		
CHECKED			
APPROVED			

6 5 4 3 2 1

6 5 4 3 2 1

A B C D

A B C D

SIZE PART NO. REV.
 X RF1-07-1-00-75 -
 SCALE: NTS SHEET 1 OF 1