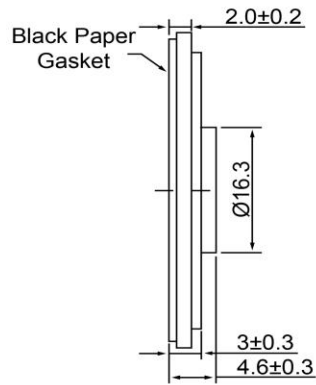
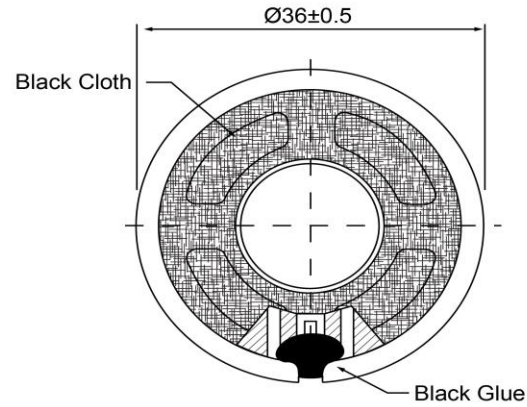




SIDE VIEW



BOTTOM VIEW



Specifications			Notes	Revision History						
Description	Value	Unit		Version	Description		Date	Approved		
Shape	Round		1) All dimensions are in mm unless otherwise noted 2) All parts meet RoHS	1	Released from Engineering		2/8/2014	J.S.		
Resonant Frequency	550	(Hz)								
Frequency Range	550 ~ 11,000	(Hz)								
SPL @ 10cm	105	(dBA)								
Impedance	8	(Ohm)								
Cone Material	Mylar									
Nominal Power	1.0	(W)								
Max Power	1.2	(W)								
Mount Type	Flush Mount									
Operating Temperature	-30 ~ +60	°C								
Storage Temperature	-30 ~ +60	°C								
Weight	8.25	(g)								
						Dynamic Speaker		SM360508-2		