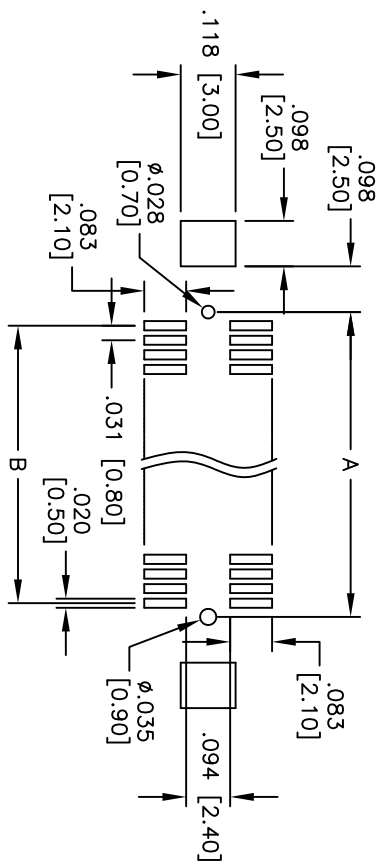
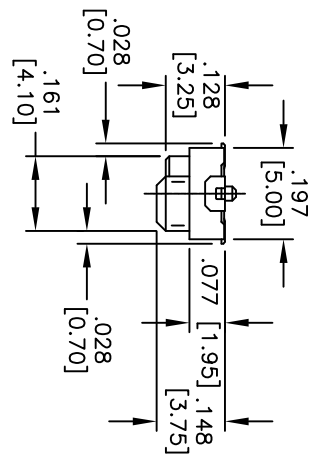
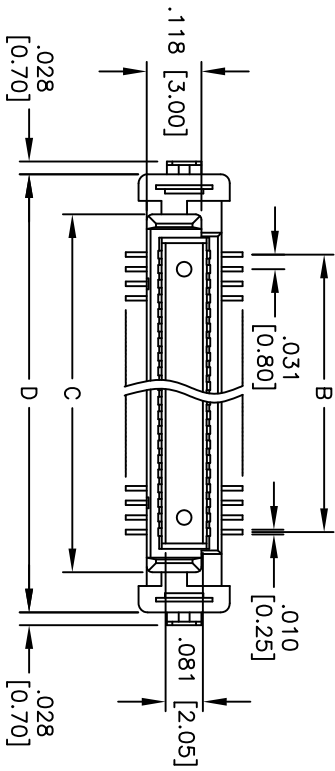
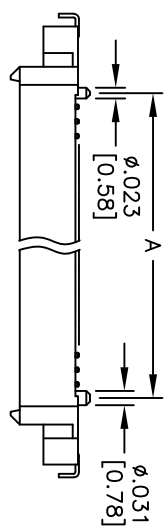


| Rev | AWO # | Description | Date | Appr |
|-----|-------|-------------|----------|------|
| - | | RELEASED | 11/29/10 | |

APPROVED: _____
 DATE: _____ TITLE: _____



RECOMMENDED PCB LAYOUT

Positions: 20, 30, 40, 50, 60
 A = .031 [0.80] x (No. of Contacts per row - 1) + .059 [1.50]
 B = .031 [0.80] x (No. of Contacts per row - 1)
 C = .031 [0.80] x (No. of Contacts per row - 1) + .173 [4.40]
 D = .031 [0.80] x (No. of Contacts per row - 1) + .346 [8.80]

ADAM TECH

909 Rahway Avenue, Union, NJ 07083
 Phone: 908-687-5000 Fax: 908-687-5710

TITLE: .031 [0.80] BOARD TO BOARD PLUG, SMT TYPE
 .148 [3.75] HEIGHT, STACKING HEIGHT=2MM

| | | | |
|--|------------|-----------------------------|--------|
| UNLESS OTHERWISE SPECIFIED ALL DIMENSIONS ARE INCHES [MM] | | TOLERANCES: EXCEPT AS NOTED | |
| INCHES | | Holes | |
| .X | ± .10 | ØXX | ± .10 |
| .XX | ± .020 | ØXXX | ± .015 |
| .XXX | ± .015 | ØXXXX | ± .010 |
| APPROVALS | | DATE | |
| DRAWN | AY | 11/29/10 | |
| CHECKED | JL | 11/29/10 | |
| APPROVED | | | |
| REF: S0028T | SCALE: NTS | SHEET 1 OF 1 | |

SPECIFICATIONS:
 Material: Insulator: Hi-temp thermoplastic, rated UL 94V-0
 Insulator color: Black
 Contacts: Copper Alloy
 Hold down: Copper Alloy
 Plating: Gold flash over Nickel underplate overall.
 Electrical: Operating voltage: 200 VAC max.
 Current rating: 0.5 Amps max.
 Contact resistance: 70 mohms max. initial
 Insulation resistance: 100 Mohms min.
 Environmental: Lead free, RoHS compliant
 Recommended soldering temp: 260°C for 5 seconds

