

# SHINDENGEN

## Schottky Rectifiers (SBD)

Dual

# D5SC4MR

## 40V 5A

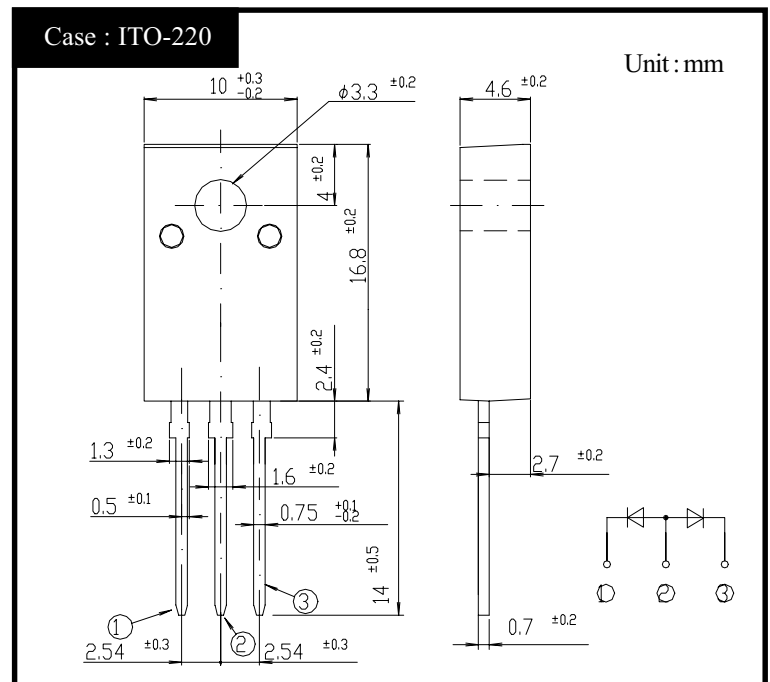
### FEATURES

- Tj150°C
- P<sub>RRSM</sub> avalanche guaranteed
- Fully Isolated Molding

### APPLICATION

- Switching power supply
- DC/DC converter
- Home Appliances, Office Equipment
- Telecommunication

## OUTLINE DIMENSIONS



## RATINGS

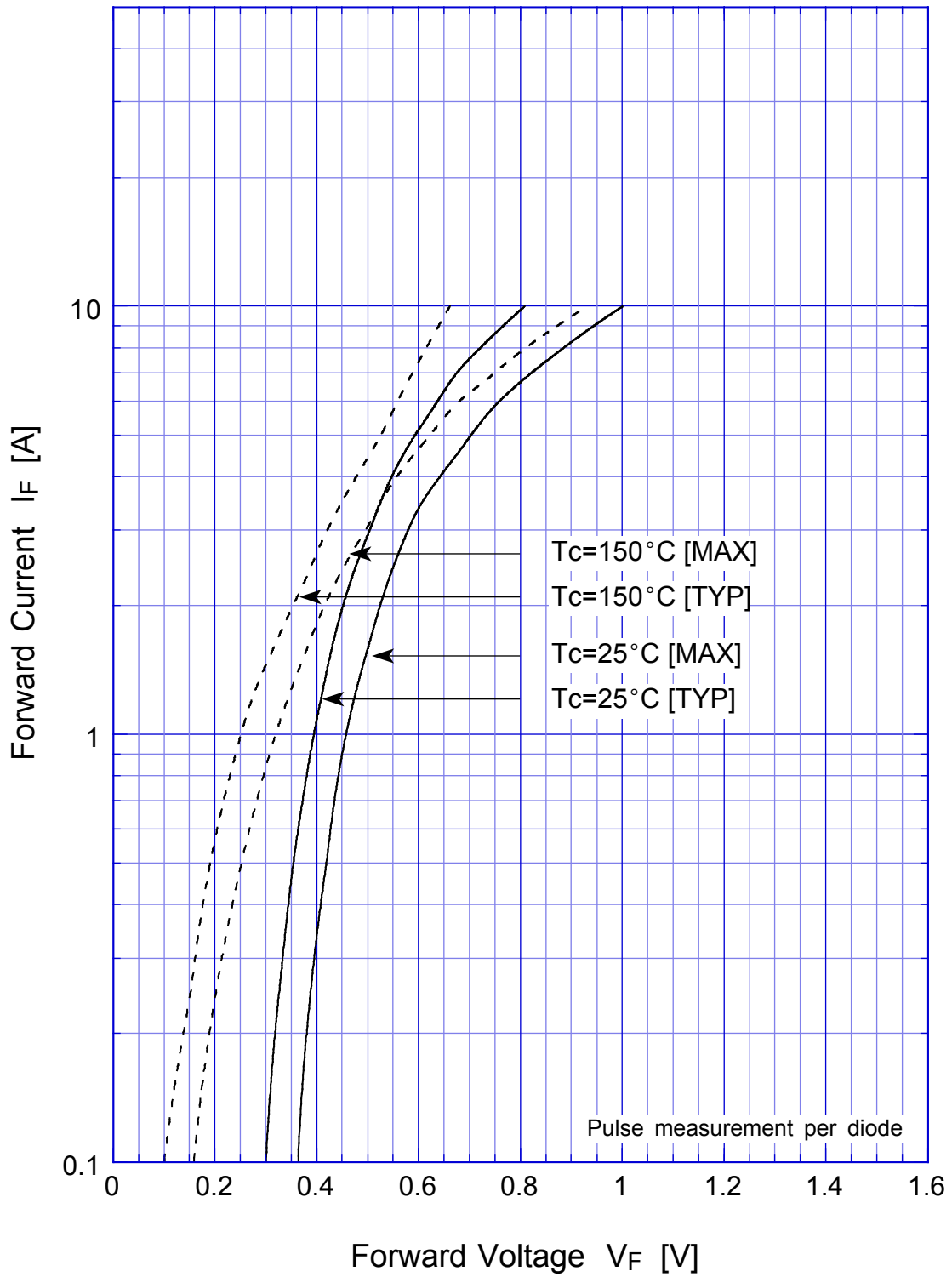
### ● Absolute Maximum Ratings (If not specified Tc=25°C)

Item	Symbol	Conditions	Ratings	Unit
Storage Temperature	T <sub>stg</sub>		-40~150	°C
Operating Junction Temperature	T <sub>j</sub>		150	°C
Maximum Reverse Voltage	V <sub>RM</sub>		40	V
Repetitive Peak Surge Reverse Voltage	V <sub>RRSM</sub>	Pulse width 0.5ms, duty 1/40	45	V
Average Rectified Forward Current	I <sub>O</sub>	50Hz sine wave, R-load, Rating for each diode I <sub>O</sub> /2, T <sub>c</sub> =136°C	5	A
Peak Surge Forward Current	I <sub>FSM</sub>	50Hz sine wave, Non-repetitive 1 cycle peak value, T <sub>j</sub> =125°C	50	A
Repetitive Peak Surge Reverse Power	P <sub>RRSM</sub>	Pulse width 10 μs, Rating of per diode, T <sub>j</sub> =25°C	330	W
Dielectric Strength	V <sub>dis</sub>	Terminals to case, AC 1 minute	1.5	kV
Mounting Torque	TOR	(Recommended torque: 0.3N·m)	0.5	N·m

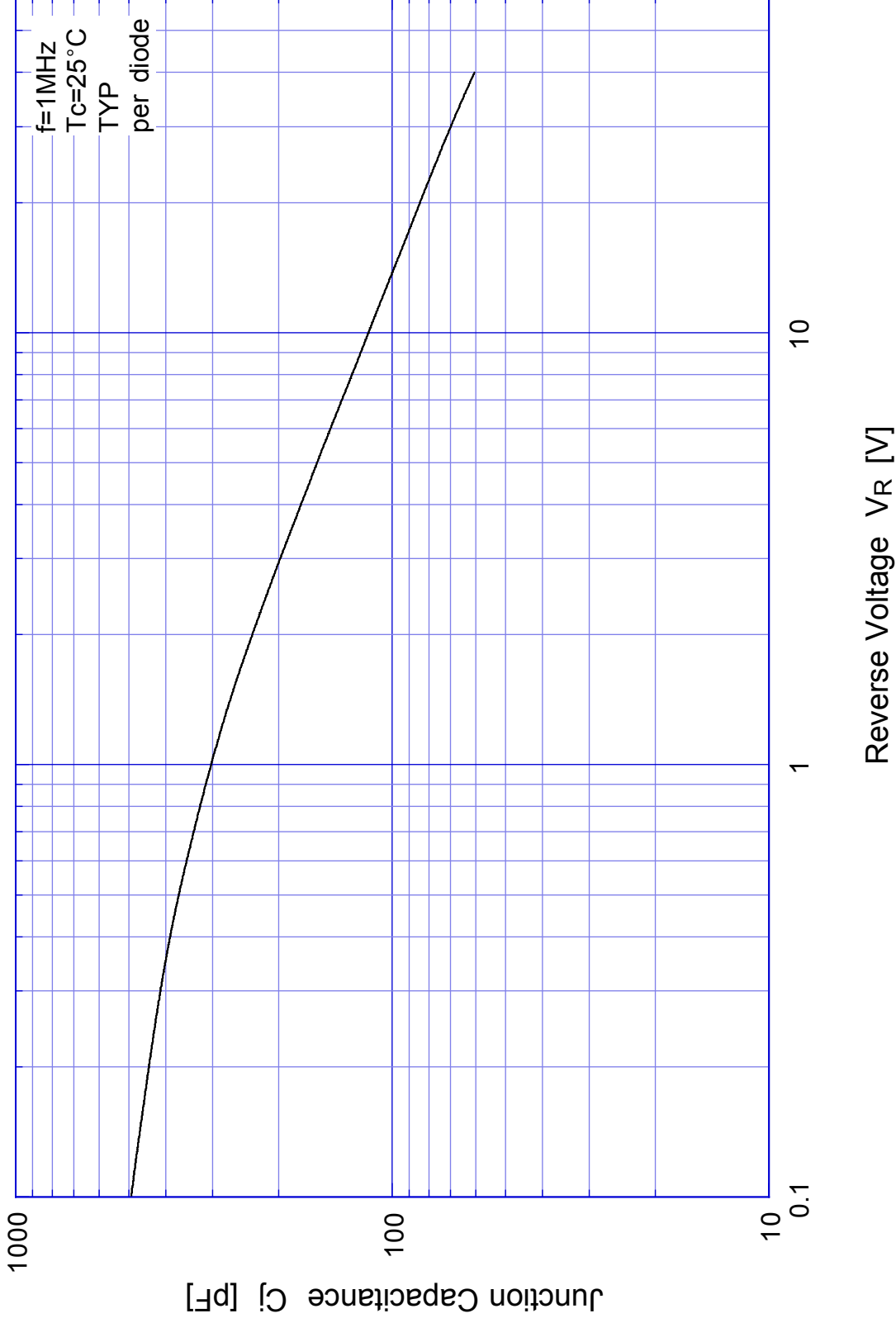
### ● Electrical Characteristics (If not specified Tc=25°C)

Item	Symbol	Conditions	Ratings	Unit
Forward Voltage	V <sub>F</sub>	I <sub>F</sub> =2.5A, Pulse measurement, Rating of per diode	Max 0.55	V
Reverse Current	I <sub>R</sub>	V <sub>R</sub> =V <sub>RM</sub> , Pulse measurement, Rating of per diode	Max 2.5	mA
Junction Capacitance	C <sub>j</sub>	f=1MHz, V <sub>R</sub> =10V, Rating of per diode	Typ 116	pF
Thermal Resistance	θ <sub>jc</sub>	junction to case	Max 3.3	°C/W
	θ <sub>jf</sub>	junction to heatsink (Reference value)	Max 4.8	

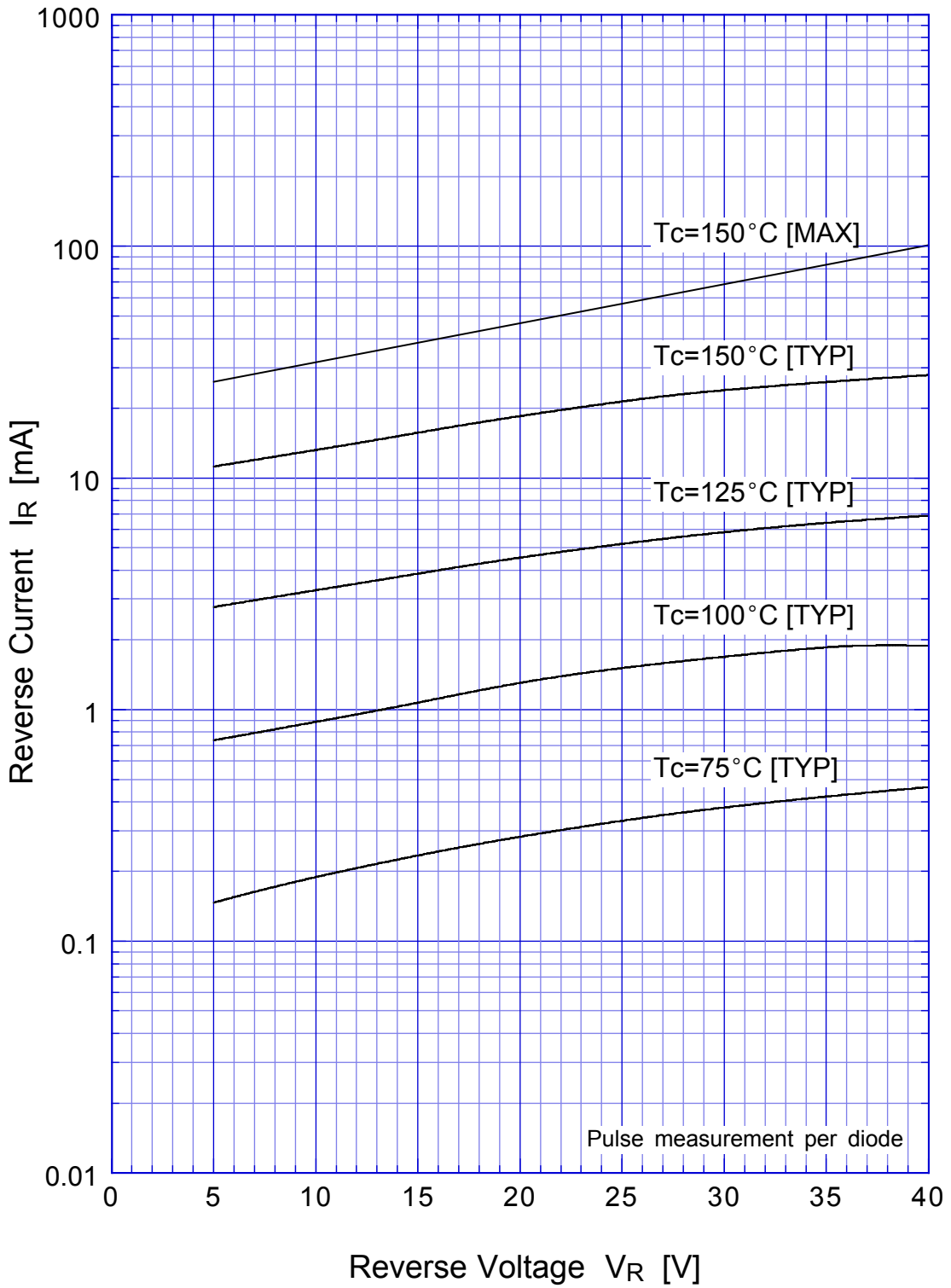
# D5SC4MR Forward Voltage



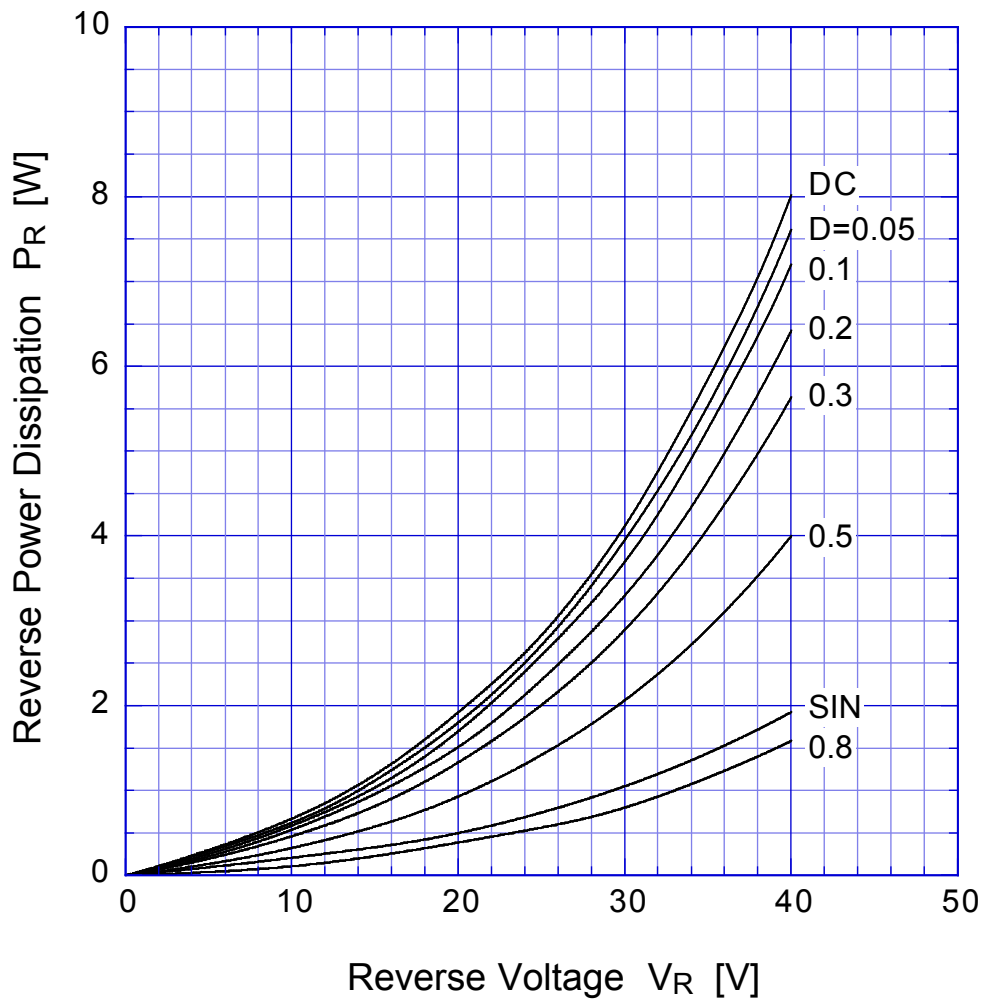
# D5SC4MR Junction Capacitance



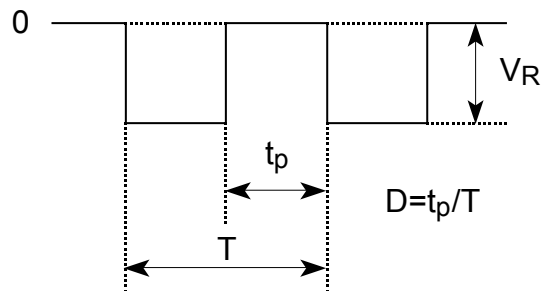
# D5SC4MR Reverse Current



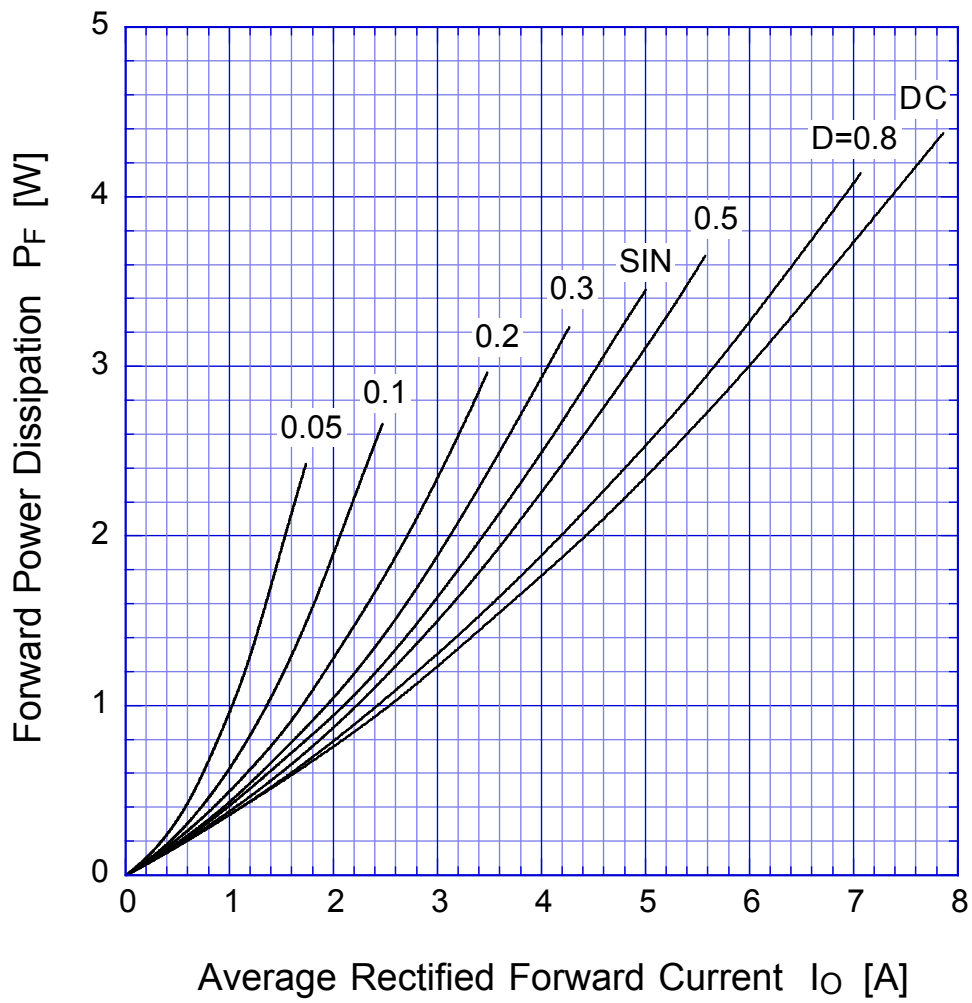
## D5SC4MR Reverse Power Dissipation



$T_j = 150^\circ\text{C}$



## D5SC4MR Forward Power Dissipation

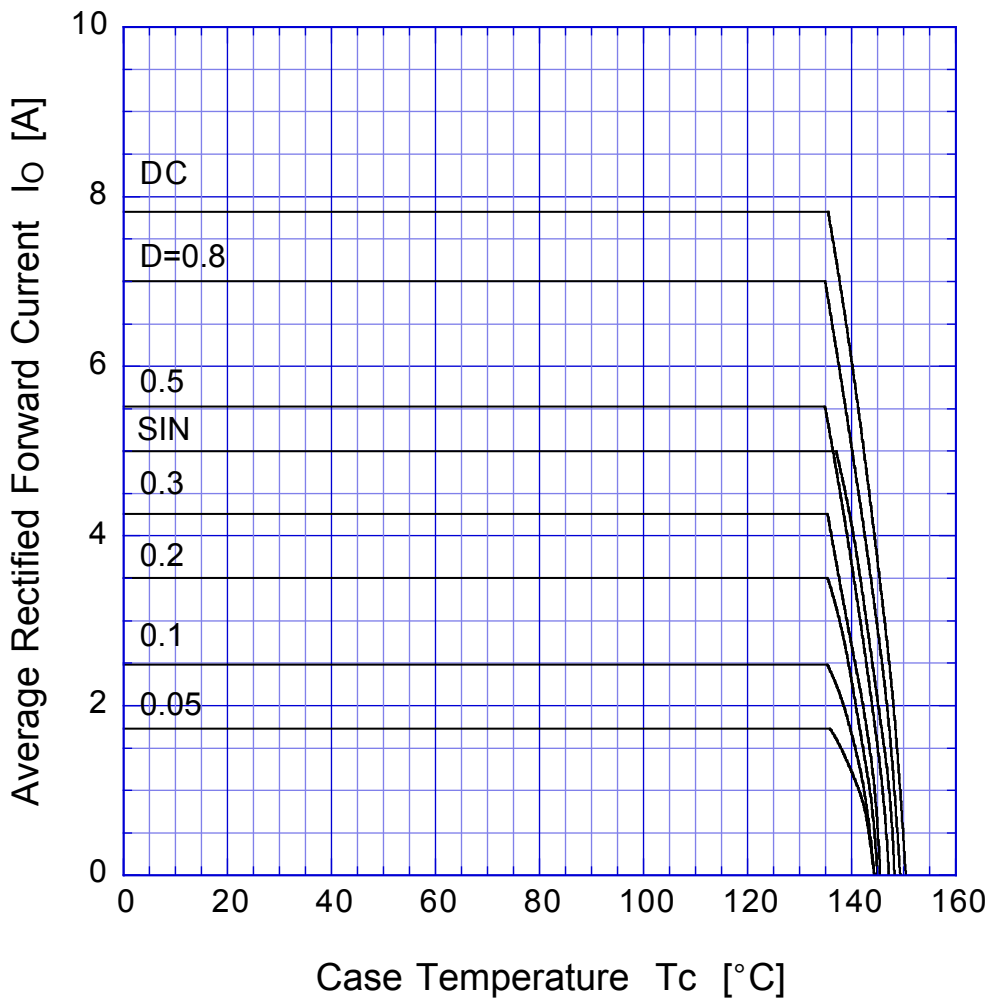


$T_j = 150^\circ\text{C}$

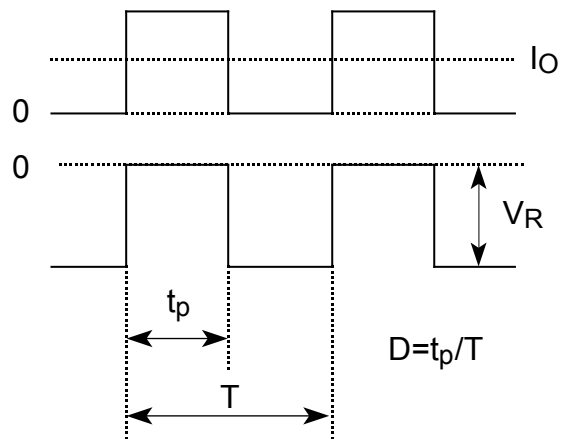


# D5SC4MR

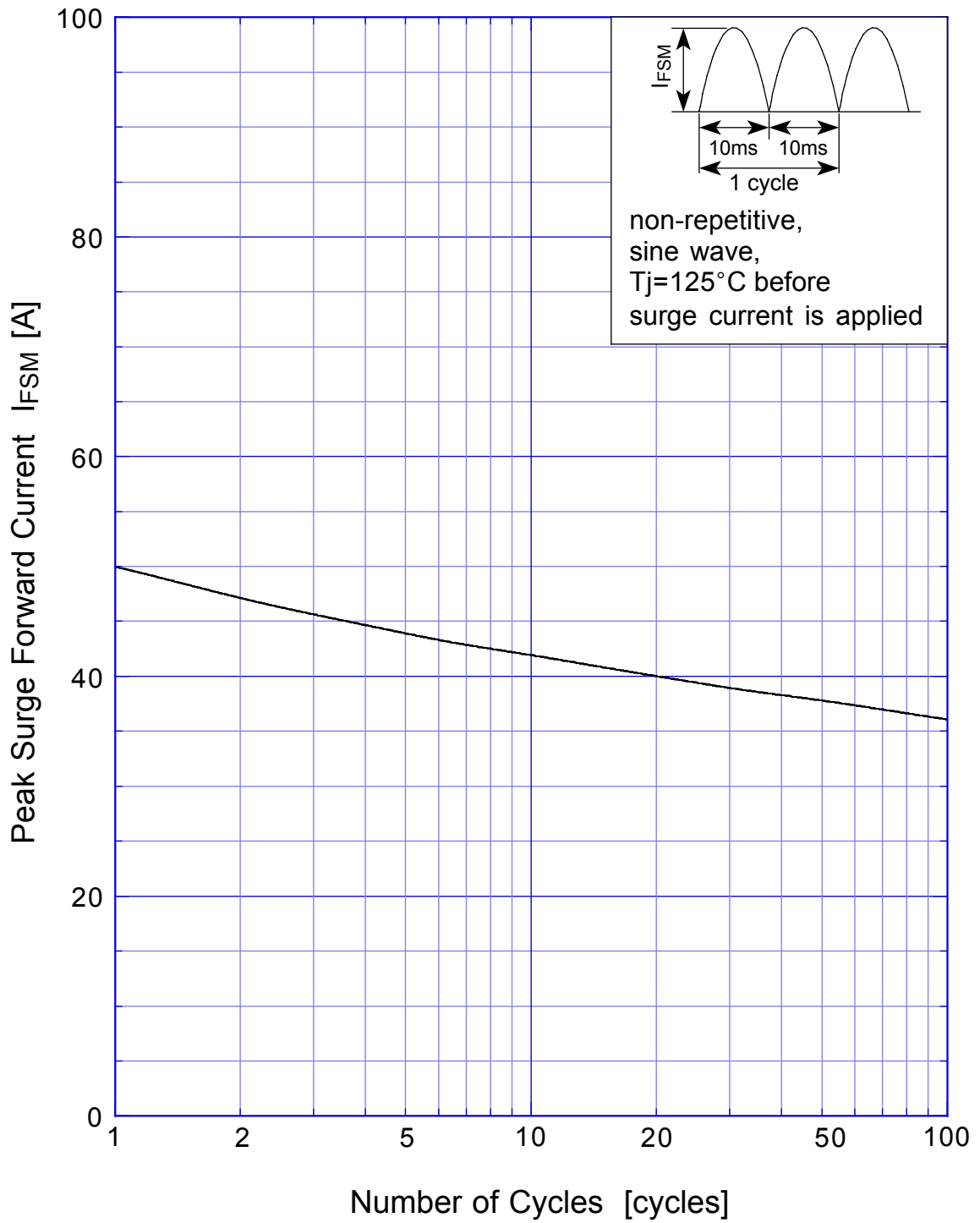
## Derating Curve



$V_R = 20V$

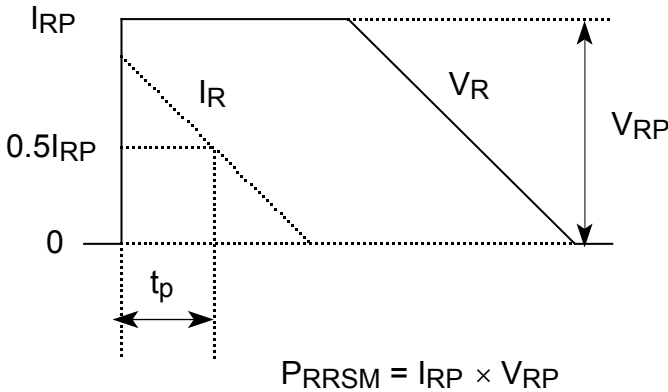
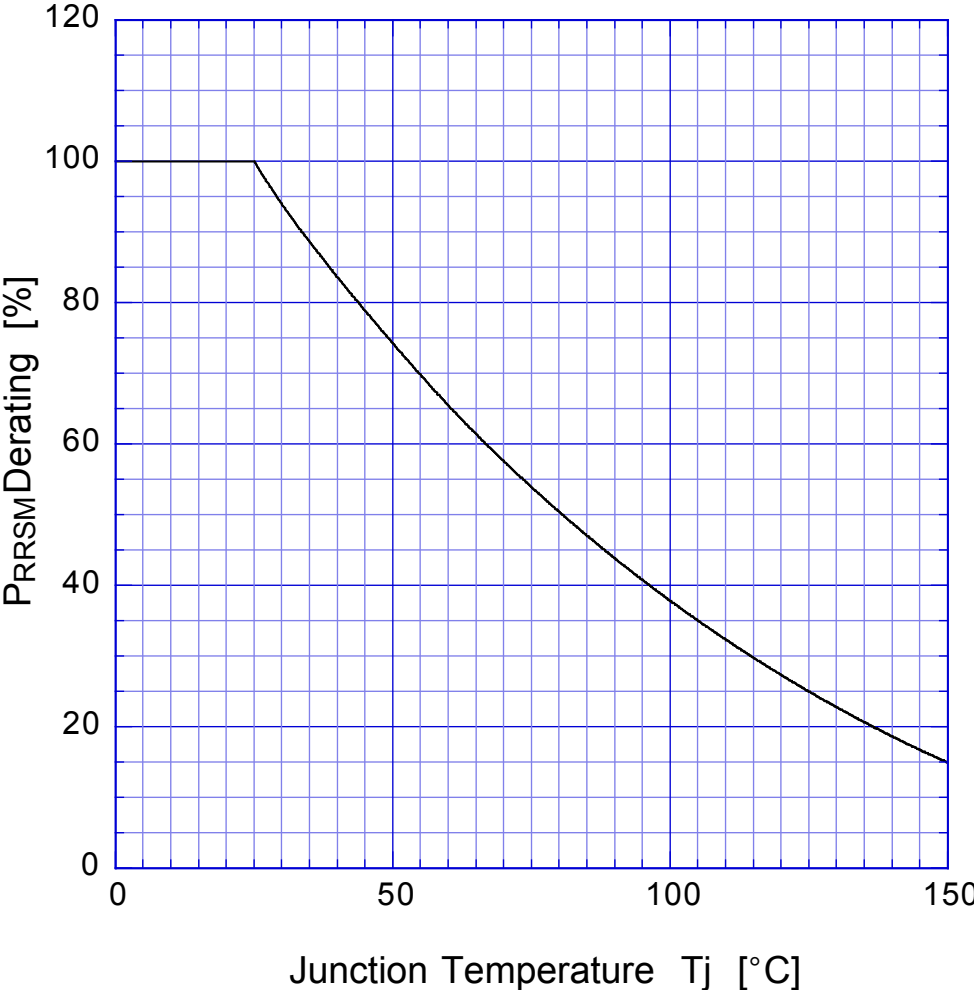


# D5SC4MR Peak Surge Forward Capability





# SBD Repetitive Surge Reverse Power Derating Curve



# SBD

## Repetitive Surge Reverse Power Capability

