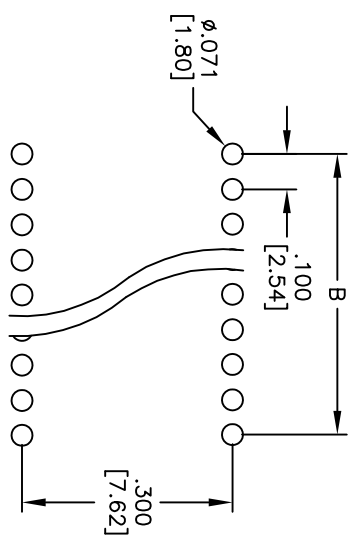
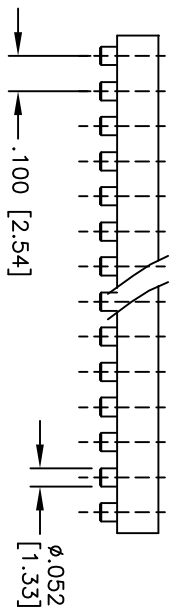
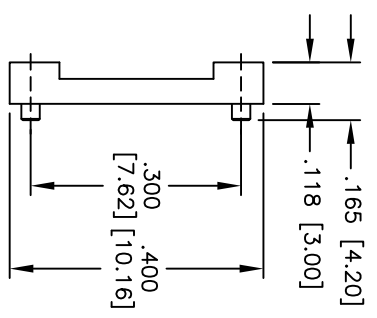
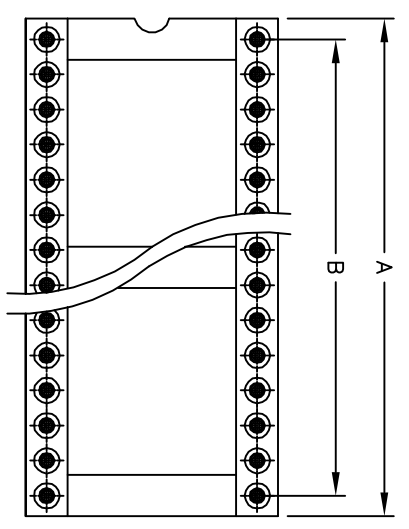


Rev	AWO #	Description	Date	Appr
-		RELEASED	7/02/10	

APPROVED: \_\_\_\_\_  
 DATE: \_\_\_\_\_ TITLE: \_\_\_\_\_



RECOMMENDED PCB LAYOUT

Positions: 6, 8, 10, 14, 16, 18, 20, 24, 28  
 A = .100 [2.54] x No. of Positions Per Row  
 B = .100 [2.54] x No. of Spaces Per Row

**ADAM TECH**  
 909 Rahway Avenue, Union, NJ 07083  
 Phone: 908-687-5000 Fax: 908-687-5710

TITLE: IC SOCKET, .300" ROW SPACING  
 TIN PLATED

**SPECIFICATIONS:**  
 Material: PBT, Glass reinforced, rated UL 94V-0  
 Insulator color: Black  
 Contacts: Brass  
 Plating: Tin over Copper underplate overall  
 Electrical:  
 Rated voltage: 100V RMS/150VDC  
 Current rating: 3 Amp max  
 Contact resistance: 4 mohms max  
 Insulation resistance: 1,000 Mohms min  
 Temperature Rating:  
 Operating temperature: -40°C to +105°C  
 Environmental:  
 Lead free, RoHS compliant  
 Recommended soldering temp: 235°C for 5 seconds



UNLESS OTHERWISE SPECIFIED ALL DIMENSIONS ARE IN INCHES [MM]	
TOLERANCES: EXCEPT AS NOTED	
INCHES	HOLES
.X ± .10	ØXX ± .10
.XX ± .020	ØXXX ± .015
.XXX ± .015	ØXXXX ± .010
APPROVALS	DATE
DRAWN	DY
CHECKED	
APPROVED	

SIZE	PART NO.	REV.
X	ICS-3XX-SMB-T	-
REF: S00007T	SCALE: NTS	SHEET 1 OF 1