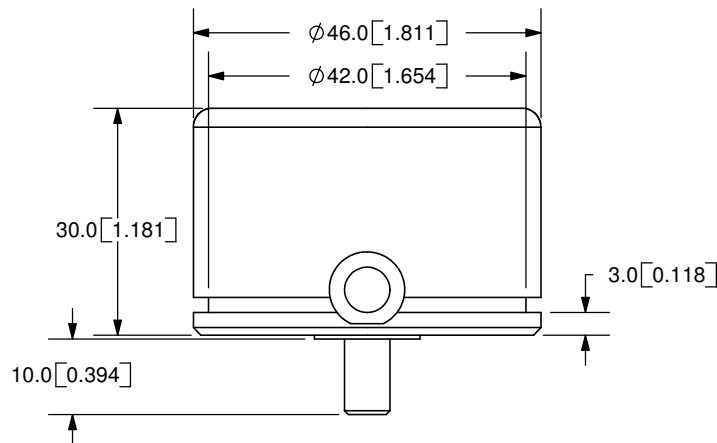
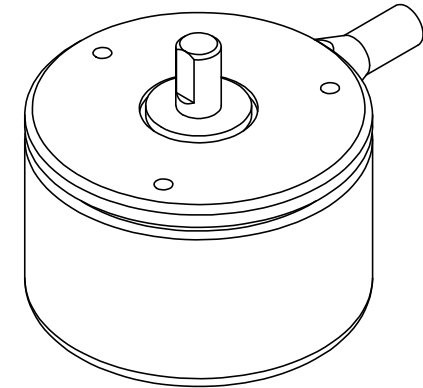
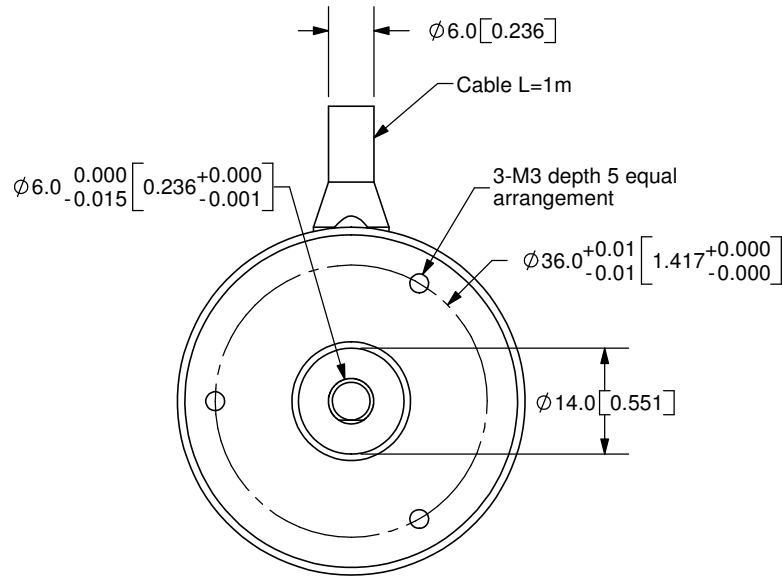
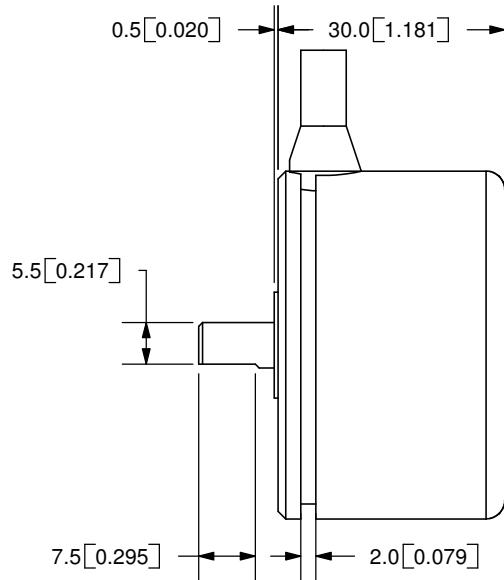


REV.	DESCRIPTION	DATE
A	NEW DRAWING	7/30/2007



TOLERANCE:
±0.3mm UNLESS OTHERWISE
SPECIFIED



20050 SW 112th Ave.
Tualatin, OR 97062
Phone: 503-612-2300
800-275-4899
Fax: 503-612-2383
Website: www.cui.com

TITLE: Incremental Encoder		REV: A
PART NO. MAS36		UNITS: MM [INCHES]
DRAWN BY: JMS	APPROVED BY:	SCALE: 1:1

Cable Color	Brown	Brown/Black	Orange	Orange/Black	Yellow	Yellow/Black	Green	Green/Black
Output Type	2 ⁰	2 ¹	2 ²	2 ³	2 ⁴	2 ⁵	2 ⁶	2 ⁷
Cable Color	Blue	Blue/Black	Purple	Purple/Black	Red/Black	Red	Black	Black
Output Type	2 ⁸	2 ⁹	NC	NC	NC	Power	0V	0V

PC FILE NAME:
MAS36

COPYRIGHT 2007
BY CUI INC.