

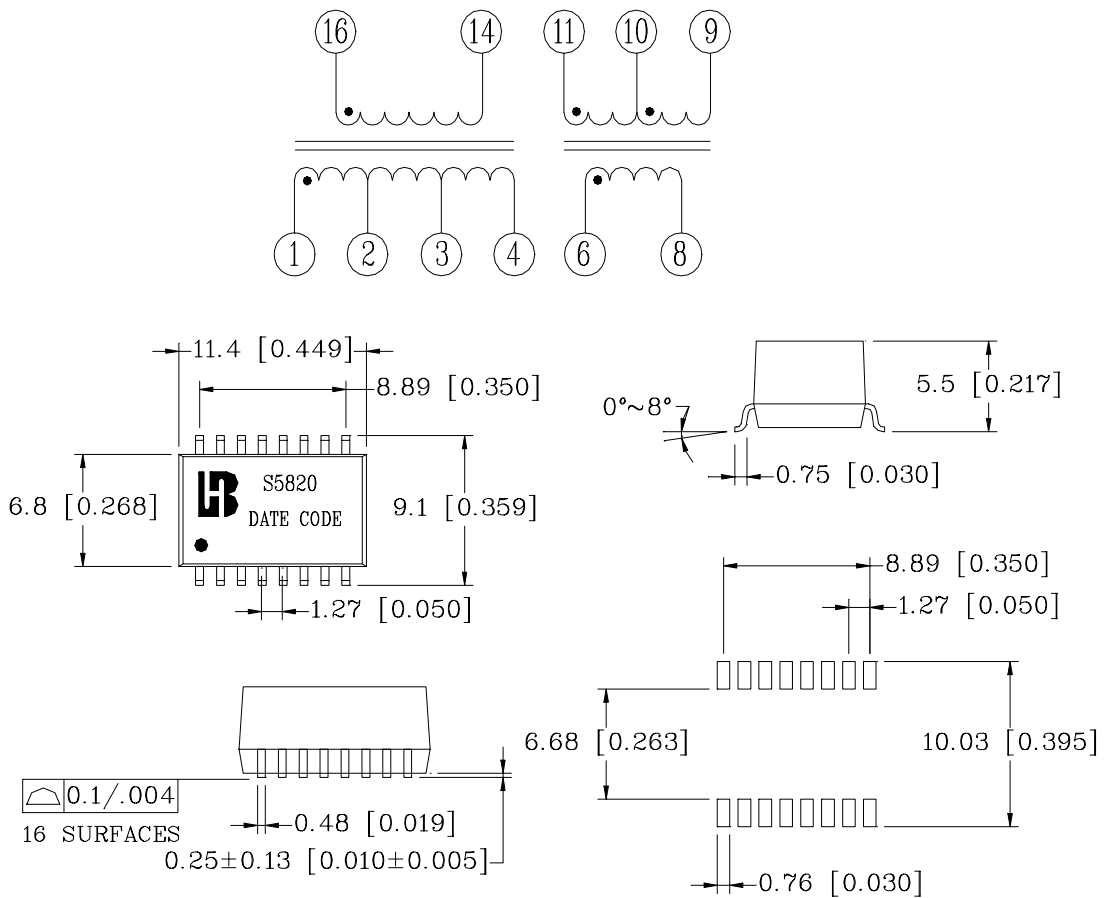
T1/E1/CEPT/ISDN-PRI TRANSFORMER

P/N: S5820 DATA SHEET

A. Electrical Specifications@25°C :

1. Turns Ratio: (16-14):(3-4):(2-4):(1-4)=1:1:1.15:1.26 ($\pm 3\%$) & (6-8): (11-10-9)=1:2CT($\pm 5\%$)
2. Inductance (16-14)=(6-8): 1.5mH Min. @10KHz/0.1V
3. Leakage Inductance: 0.5uH Max. PIN16-14 with (1,2,3,4 Short) @775KHz
4. Leakage Inductance: 0.5uH Max. PIN6-8 with (9, 10, 11 Short) @775KHz
5. Interwinding Capacitance: 29pF Max. PIN (16-14) to (1,2,3,4) @ 775KHz
6. Interwinding Capacitance: 35pF Max. PIN (6-8) to (9,10,11) @ 775KHz
7. DC Resistance (16-14=6-8=3-4): 0.7 Ω Max.
8. DC Resistance (11-9): 1.4 Ω Max.
9. DC Resistance (1-4): 1.0 Ω Max.
10. Dielectric Withstand Voltage:
PIN (16-14) to (1,2,3,4) &(6-8) to (9,10,11) : 1500Vrms.
11. Phasing: 1, 16 and 6, 11 In Phase

B. Schematic & Mechanical:



Dimensions: mm[Inches] Tolerances: ± 0.25 [0.01] PCB Suggest pad layout