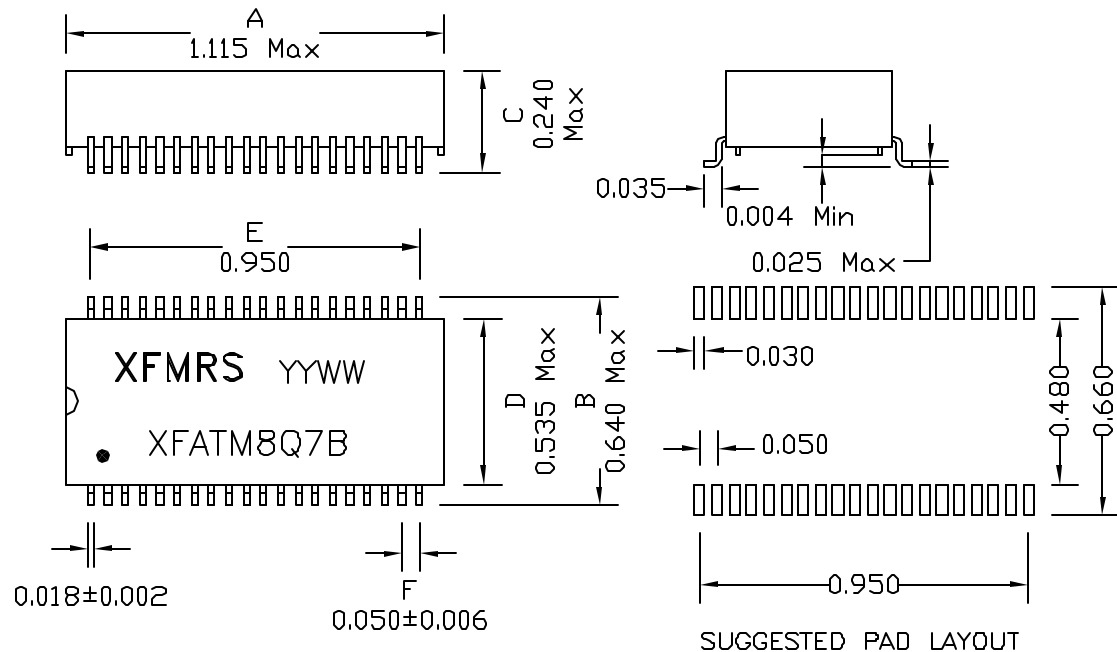
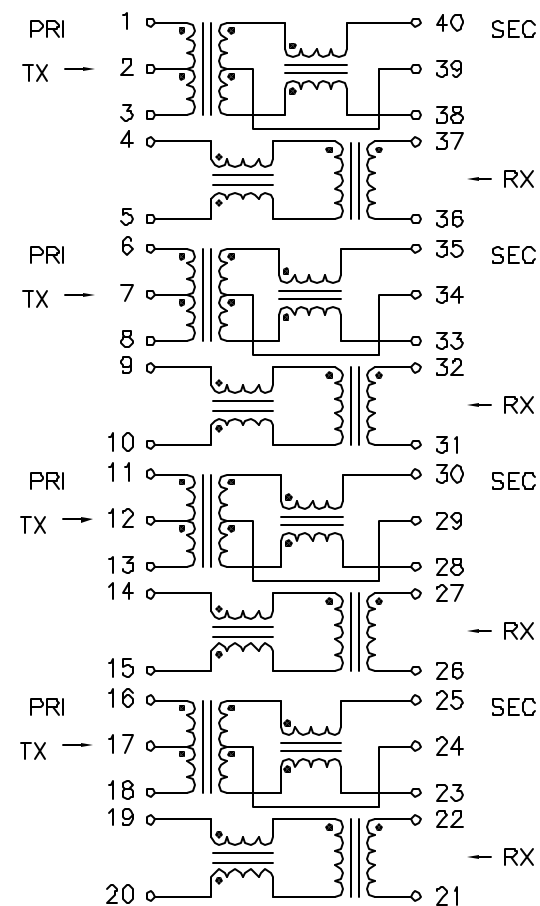


### 1. Mechanical Dimensions:



### 2. Schematic:



### 3. Electrical Specifications: @25°C

- Turns Ratio: PRI/SEC TX 1CT:1CT ±3% RX 1:1 ±3%
- Isolation Voltage: 1500 Vrms (Input to Output)
- PRI DC Resistance: 0.90 ohms Maximum
- SEC DCL: 350uH Minimum @100KHz, 100mV 8mADC
- SEC Leakage Inductance: 0.35uH Maximum @100KHz 100mV PRI SHORTED
- PRI/SEC Cw/w: 20pF Typical @100KHz 100mV
- Rise time: 2.5ns Typical
- CROSSTALK: -38dB Minimum @100KHz-100MHZ
- CMRR: -40dB Typical @100KHz-100MHZ
- SEC Q: 8 Min @10KHz, 50mV

**Notes:**

- Solderability: Leads shall meet ML-STD-202G, Method 208H for solderability.
- Flammability: UL94V-0
- ASTM oxygen index: > 28%
- Insulation System: Class F 155°C, UL file E151556
- Operating Temperature Range: All listed parameters are to be within tolerance from -40°C to +85°C
- Storage Temperature Range: -55°C to +125°C
- Aqueous wash compatible
- SMD Lead Coplanarity: ±0.004"(0.102mm)
- Electrical and mechanical specifications 100% tested
- RoHS Compliant Component

DOC REV: A/6

<b>XFMRS Inc</b> <a href="http://www.XFMRS.com">www.XFMRS.com</a>	Title: Quad Port 10/100BASE-TX Module			
	UNLESS OTHERWISE SPECIFIED TOLERANCES:	P/N: XFATM8Q7B	REV. A	
.xxx ±0.010	DWN.	Xianyi	Sep-04-08	
Dimensions in INCH	CHK.	YK Liao	Sep-04-08	
SHEET 1 OF 1	APP.	BW	Sep-04-08	