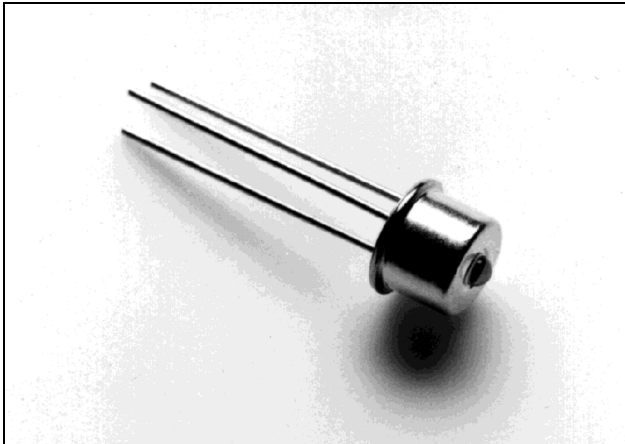


April 2004



Features

- 850 nm oxide confined VCSEL
- Data rate up to 3.1 Gbps
- High fiber coupling efficiency
- Optical field stable over temperature and current

Applications

- High speed Data Communication and Telecommunication
- Gigabit Ethernet / InfiniBand / FiberChannel / ATM

Ordering Information

ZL60001/TBD TO-46 with lens

-0°C to +70°C

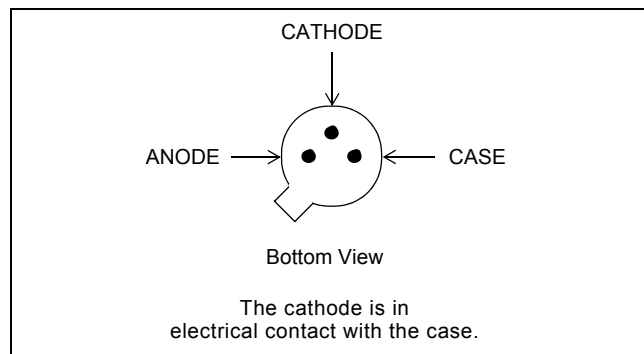


Figure 1 - Pin Diagram

Description

The ZL60001 is a high speed TO-46 assembled 850 nm VCSEL (Vertical Cavity Surface-Emitting Laser).

The product converts electrical current into optical power to be used for fibre optic communications.

The ZL60001 has a narrow beam divergence which is stable over temperature and current. This gives rise to high and stable fibre coupling efficiency without any additional lenses.



WARNING: Laser Radiation, avoid exposure to beam. Class 3B laser product, potential eye hazard. Warning labels in each box

Optical and Electrical Characteristics – Case Temperature 25°C

Parameter	Symbol	Min.	Typ.	Max.	Unit	Test Condition
Fiber-Coupled Power (50/125 μm fibre)	P_{fibre}	0.7			mW	$I_F = 7 \text{ mA}$
Optical Power	P_O			3.5	mW	$I_F = 7 \text{ mA}$
Threshold Current (0 – 70°C)	I_{th}	1		4.5	mA	
Forward Voltage	V_F	1.6		2.2	V	$I_F = 7 \text{ mA}$
Centre wavelength	λ_C	830	850	860	nm	$I_F = 7 \text{ mA}$
RMS Spectral Width	$\Delta\lambda$			0.85	nm	$I_F = 7 \text{ mA}$
Differential resistance	R_{diff}			50	Ω	$I_F = 7 \text{ mA}$
Relative Intensity Noise	RIN			-120	dB/Hz	$I_F = 7 \text{ mA}$, Note 1
Optical Rise Time (20%-80%)	t_r		80	130	ps	Note 2
Optical Fall Time (20%-80%)	t_f		100	140	ps	Note 2
Beam divergence ($1/e^2$)	θ	5		15	$^\circ$	Note 3

Note 1: ANSI X3.230-1994

Note 2: InfiniBand sec. 8.5.3.2

Note 3: Over operating current and bias over threshold

Absolute Maximum Ratings

Parameter	Symbol	Limit
Storage Temperature	T_S	-40 to +100°C
Operating Temperature (case)	T_O	0 to +70°C
Electrical Power Dissipation	P_{diss}	35 mW
Continuous Forward Current ($f < 10 \text{ kHz}$)	I_F	15 mA
Reverse Voltage	V_R	5 V
Soldering Temperature (2 mm from case for 10 sec)	T_{sld}	260°C

Thermal Characteristics

Parameter	Symbol	Min	Typ	Max	Unit
Thermal Resistance – Infinite Heat Sink	R_{thjc}		1300		$^\circ\text{C}/\text{W}$
Thermal Resistance – No Heat Sink	R_{thja}		1600		$^\circ\text{C}/\text{W}$
Temp. Coefficient - Wavelength	$d\lambda/dT_j$		0.06		nm/ $^\circ\text{C}$
Optical Power – Variation (0 – 70°C)	ΔP_O		± 0.3		%/ $^\circ\text{C}$
Threshold Current – Variation (0 – 70°C)	ΔI_{th}		± 0.6		mA

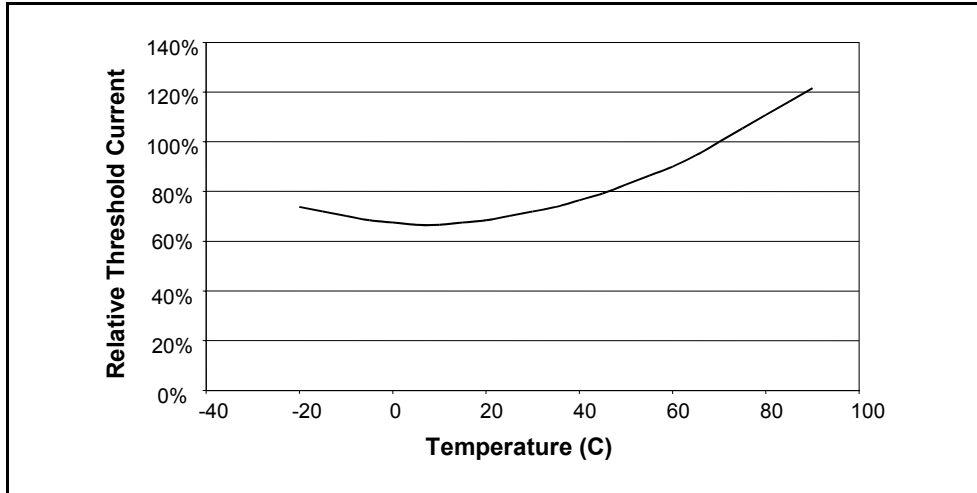


Figure 2 - Threshold Current over Temperature

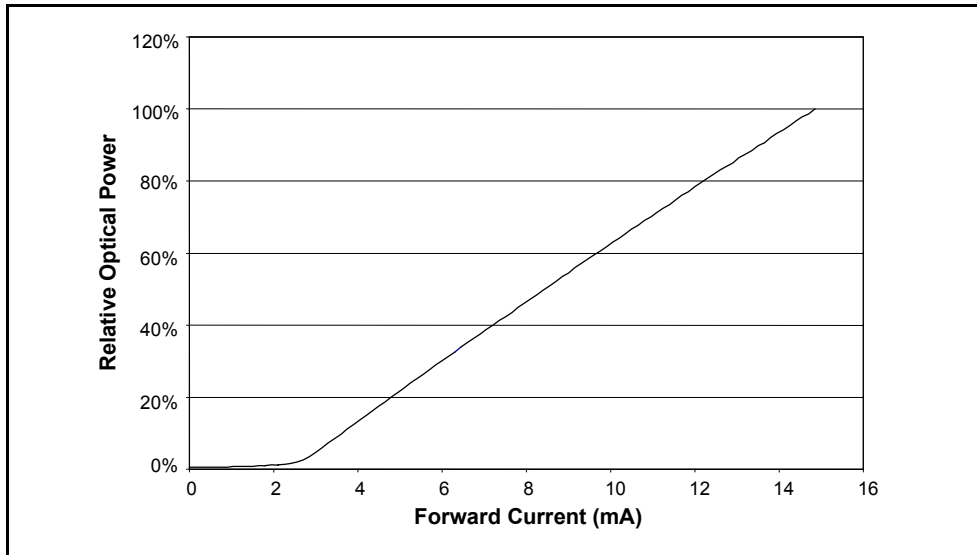
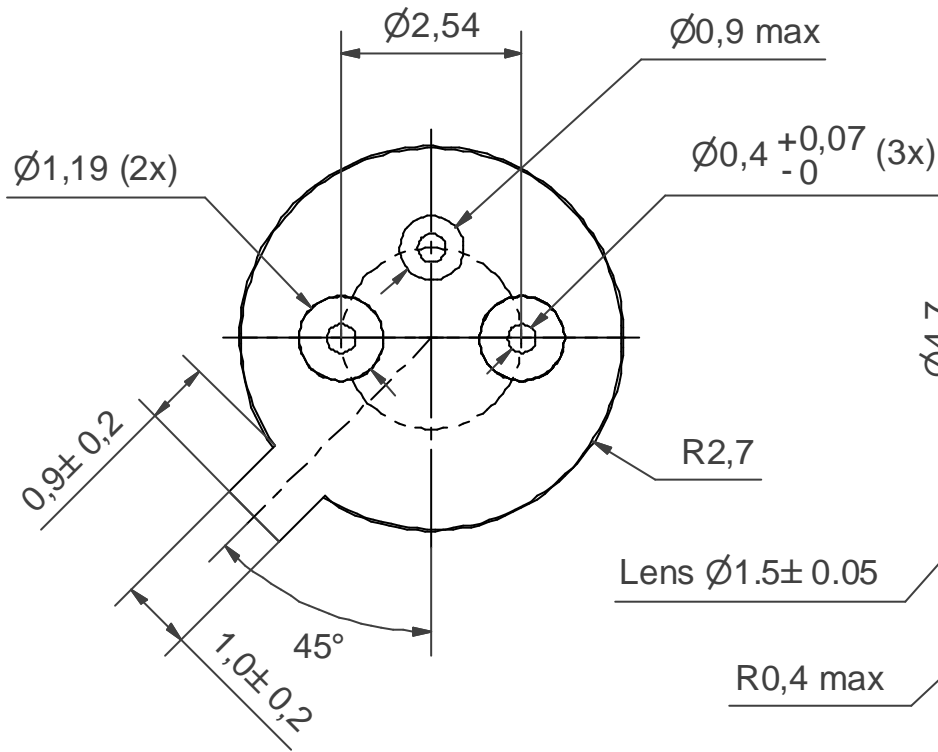
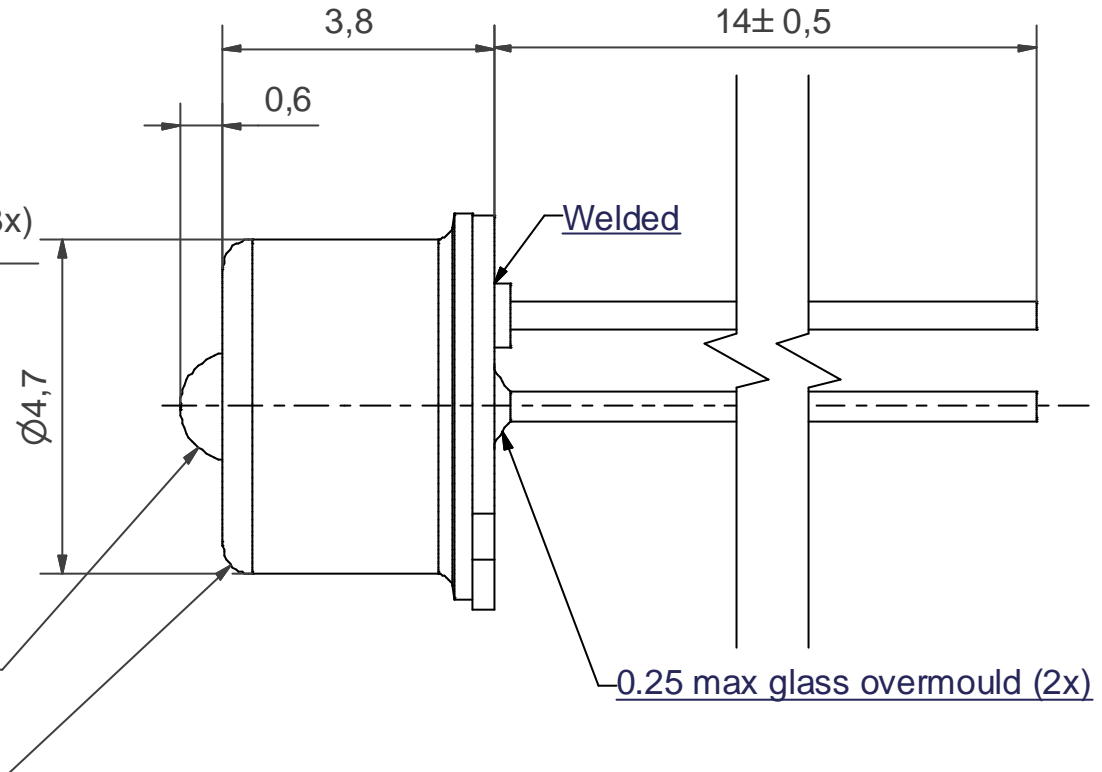


Figure 3 - Optical Power vs Forward Current

BOTTOM VIEW (10 : 1)



SIDE VIEW



NOTES:-

1. All dimensions in mm.
2. General tol. ISO-2768-mK.
3. Coating: Case: Ni 1,5-2,5 µm.
Header: Ni min 0,5 µm / Au min 1,5 µm.

© Zarlink Semiconductor 2002. All rights reserved.				
ISSUE	1			
ACN	JS004077R1A			
DATE	22-MAR-03			
APPRD.	TD/BE			



	Package code TB
Previous package codes	Drawing type Package drawing, TO-46 with lens
	Title JS004077



**For more information about all Zarlink products
visit our Web Site at
www.zarlink.com**

Information relating to products and services furnished herein by Zarlink Semiconductor Inc. or its subsidiaries (collectively "Zarlink") is believed to be reliable. However, Zarlink assumes no liability for errors that may appear in this publication, or for liability otherwise arising from the application or use of any such information, product or service or for any infringement of patents or other intellectual property rights owned by third parties which may result from such application or use. Neither the supply of such information or purchase of product or service conveys any license, either express or implied, under patents or other intellectual property rights owned by Zarlink or licensed from third parties by Zarlink, whatsoever. Purchasers of products are also hereby notified that the use of product in certain ways or in combination with Zarlink, or non-Zarlink furnished goods or services may infringe patents or other intellectual property rights owned by Zarlink.

This publication is issued to provide information only and (unless agreed by Zarlink in writing) may not be used, applied or reproduced for any purpose nor form part of any order or contract nor to be regarded as a representation relating to the products or services concerned. The products, their specifications, services and other information appearing in this publication are subject to change by Zarlink without notice. No warranty or guarantee express or implied is made regarding the capability, performance or suitability of any product or service. Information concerning possible methods of use is provided as a guide only and does not constitute any guarantee that such methods of use will be satisfactory in a specific piece of equipment. It is the user's responsibility to fully determine the performance and suitability of any equipment using such information and to ensure that any publication or data used is up to date and has not been superseded. Manufacturing does not necessarily include testing of all functions or parameters. These products are not suitable for use in any medical products whose failure to perform may result in significant injury or death to the user. All products and materials are sold and services provided subject to Zarlink's conditions of sale which are available on request.

Purchase of Zarlink's I²C components conveys a licence under the Philips I²C Patent rights to use these components in and I²C System, provided that the system conforms to the I²C Standard Specification as defined by Philips.

Zarlink, ZL and the Zarlink Semiconductor logo are trademarks of Zarlink Semiconductor Inc.

Copyright Zarlink Semiconductor Inc. All Rights Reserved.

TECHNICAL DOCUMENTATION - NOT FOR RESALE
