

PLEASE CHECK WWW.MOLEX.COM FOR LATEST PART INFORMATION

Part Number: [0638932100](#)
Status: **Active**
Description: Mini-Mac™ Applicator
Replacement Part Number: NONE

Documents:

[RoHS Certificate of Compliance \(PDF\)](#)

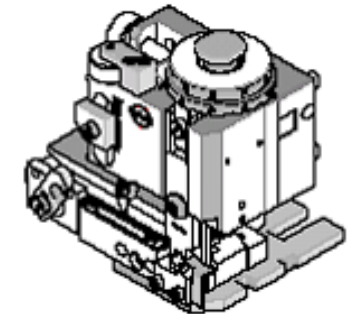
General

Product Family	Application Tooling
Series	T1101
Comments	See Tooling Specification (PDF) Above
Function	Crimp
Geographic Area	Global
Level of Automation	Automatic, Semi-Automatic
More Detailed Tech Information	applicationtooling@molex.com
Product Name	Mini-Mac™
Replacement Part Number	NONE
Survey	www.molex.com//review/apptool_survey.html
Tool Type	Mini-Mac Applicator
UPC	800756682303

Material Info

Reference - Drawing Numbers

Application Tooling Documents ATS-638932100, TM-638000100, TM-638000100SP



Series image - Reference only

EU ELV

Not Reviewed

EU RoHS

Not Reviewed

REACH SVHC

Not Reviewed

Halogen-Free

Status

Not Reviewed

Need more information on product environmental compliance?

Email productcompliance@molex.com
Please visit the [Contact Us](#) section for any non-product compliance questions.

China ROHS

Not Reviewed

ELV

Not Reviewed

Search Parts in this Series

[T1101 Series](#)

Use With

Molex TM-3000™: 63801-7200 ,
63801-7300 , Molex TM-4000™:
63801-7600 , Molex TM-2000™:
63800-8300 , 63800-8400 , and Most
Industry Standard Presses or Wire Process
Machines